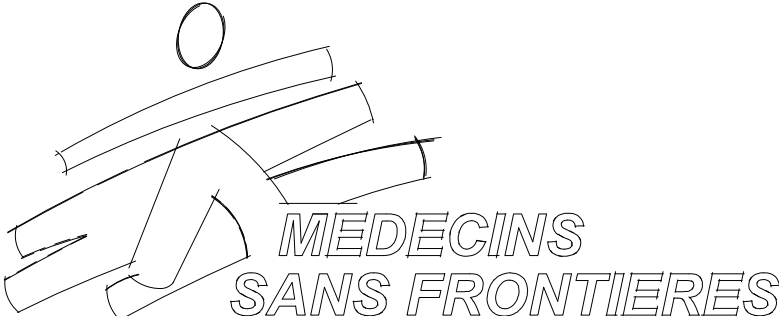




D:\Users\yef115constrmgr\opdata\local\temp\AcPublish_17884\02-Structural Design.dwg, C-0-0, 29 07 2025 - 12:38

Ad Dahi Hospital

Laboratory Sterilization and XRay

Structural Drawings





	PROJECT TITLE :	YE115 C114 BUILDING NAME : Laboratory, sterilization and X-Ray CODE CAM : CNSTR HMAT XXX	DRAWING TITLE :	HQ stamp : 	N°	Date	Issue	Sheet N° : C-0-0 scale : Date : 29 / 07 / 2025
	AD DAHI HOSPITAL - Yemen -		Cover Sheet		FILE NAME : 02-Structural Design.dwg	1	May 18, 2025.	

BUDGET CODE SUB-PROJ.
YE115 C001

LIST OF DRAWINGS

SHEET #	Group	Drawing Title
C-0-0	Priliminary	Cover Sheet
C-0-1		Content
C-0-2		General notes
C-1-0	Plan	Axes plan
C-1-1		Foundation plan
C-1-2		Underground stone wall plan
C-1-3		Ground beams plan
C-1-4		First Floor plan
C-2-0	Details	Typical foundation details
C-2-1		Typical column details
C-2-2		Typical details

D:\Users\yfr115constrmgr\opdata\local\temp\publish_17884\02-Structural Design.dwg, C-0-1, 29 07 2025 - 12:38

	PROJECT TITLE :	YE115 C114 BUILDING NAME : Laboratory, sterilization and X-Ray CODE CAM : CNSTR HMAT XXX	DRAWING TITLE :	HQ stamp : 	N°	Date	Issue	Sheet N° : C-0-1 scale : Date : 29 / 07 / 2025
	AD DAHI HOSPITAL - Yemen -		Content		1	May 18, 2025.	IFT	

BUDGET CODE SUB-PROJ. YE115 C001



PROJECT TITLE :

**AD DAHI HOSPITAL
- Yemen -**

YE115 C114

BUILDING NAME :

**Laboratory, sterilization
and X-Ray**

CODE CAM : CNSTR | HMAT | XXX

DRAWING TITLE :

General notes

FILE NAME : 02-Structural Design.dwg

HQ stamp :



N° Date

1 May 18, 2025.

Issue

IFT

BUDGET CODE SUB-PROJ.
YE115 C001

Sheet N° :

C-0-2

scale :

.....

Date : 29 / 07 / 2025

MEDECINS SANS FRONTIERES - D:\Users\yvt115constrmgr\appdata\local\temp\AcPublish_17884\02-Structural Design.dwg, C-1-0, 29 07 2025 - 12:38

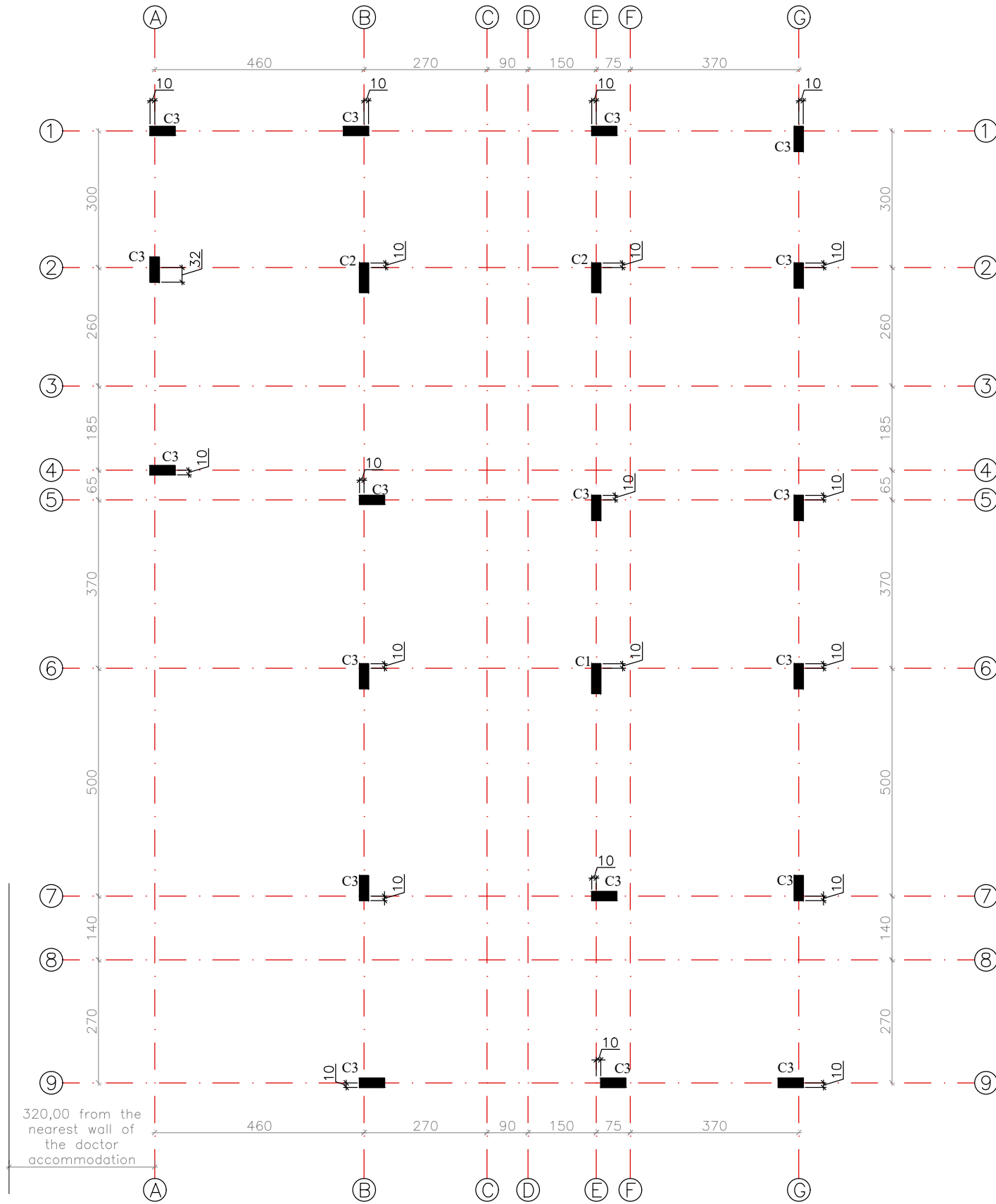


Table Reinforcement For Beams								
Symbol	Dimension (cm)		Reinforcement					
			lower		Upper		Stirrups	
	Height	Width	Continuous	Added	Continuous	Added	At ends	At middle
GB1	50	20	3Ø16	1Ø16	3Ø16	---	1*7Ø8/m	1*7Ø8/m
GB2	50	20	3Ø16	---	3Ø16	---	1*7Ø8/m	1*7Ø8/m

Table Reinforcement For Neck Columns and 1 st Floor Columns						
Symbol	Qty	Dimension (cm)		Reinforcement		
		Length	Width	Longitudinal	Stirrups	
C1	1	75	25	12Ø16	2*7Ø8/m	
C2	1	65	25	12Ø16	2*7Ø8/m	
C3	19	55	25	12Ø16	2*7Ø8/m	

Footings Table Details							
Symbol	Qty	Dimension (cm)			Reinforcement		
		Length	Width	Height	Short Direction	Long Direction	Connection
F1	1	300	245	60	21Ø16	17Ø16	2+2Ø16
F2	2	285	240	60	19Ø16	16Ø16	2+2Ø16
F3	3	255	220	55	16Ø16	13Ø16	2+2Ø16
F4	1	230	205	55	15Ø16	13Ø16	2+2Ø16
F5	7	210	175	50	10Ø16	9Ø16	2+2Ø16
F6	7	185	150	50	10Ø16	8Ø16	2+2Ø16

DIMENSION:

- ALL DIMENSION ARE IN CENTIMETER UNLESS MENTIONED.
- ALL REBAR DIAMETER ARE IN MILLIMETERS UNLESS MENTIONED.

CONCRETE:

- ALL WORKMANSHIP AND MATERIALS SHALL BE IN ACCORDANCE WITH THE AMERICAN CONCRETE CODE ACI-318M-19.
- ORDINARY PORTLAND CEMENT SHALL BE USED IN CONCRETE.
- CONCRETE COVER SHALL BE 30MM FOR COLUMNS AND BEAMS, 50MM FOR FOUNDATION, AND 2.5MM FOR SLABS.
- CONCRETE COMPRESSIVE STRENGTH SHALL BE 30 MPA.

REINFORCEMENT:

- SUPPLIED STEEL REBAR SHALL CONFIRM TO ASTM A-615M WITH MINIMUM YIELD STRESS OF 420 MPA AND 280MPA FOR STIRRUPS.

DESIGN:

- FOUNDATION HAS BEEN DESIGNED FOR ALLOWABLE NET SOIL BEARING CAPACITY OF 196KPA.
- FOUNDATION DESIGNED FOR THREE STORIES.
- EXCAVATION SHALL BE UNTIL SUITABLE FOUNDING SOIL AND NOT BE LESS THAN 2M.



PROJECT TITLE :

**AD DAHI HOSPITAL
- Yemen -**

YE115 C114

BUILDING NAME :

**Laboratory, sterilization
and X-Ray**

CODE CAM : CNSTR | HMAT | XXX

DRAWING TITLE :

Axes and Columns Details

FILE NAME : 02-Structural Design.dwg

HQ stamp :



N° Date

1 May 18, 2025.

Issue

IFT

BUDGET CODE SUB-PROJ.
YE115 C001

Sheet N° :

C-1-0

scale :

.....

Date : 29 / 07 / 2025

MEDECINS SANS FRONTIERES - D:\Users\yvt115constrmgr\appdata\local\temp\AcPublish_17884\02-Structural Design.dwg, C-1-1, 29 07 2025 - 12:38

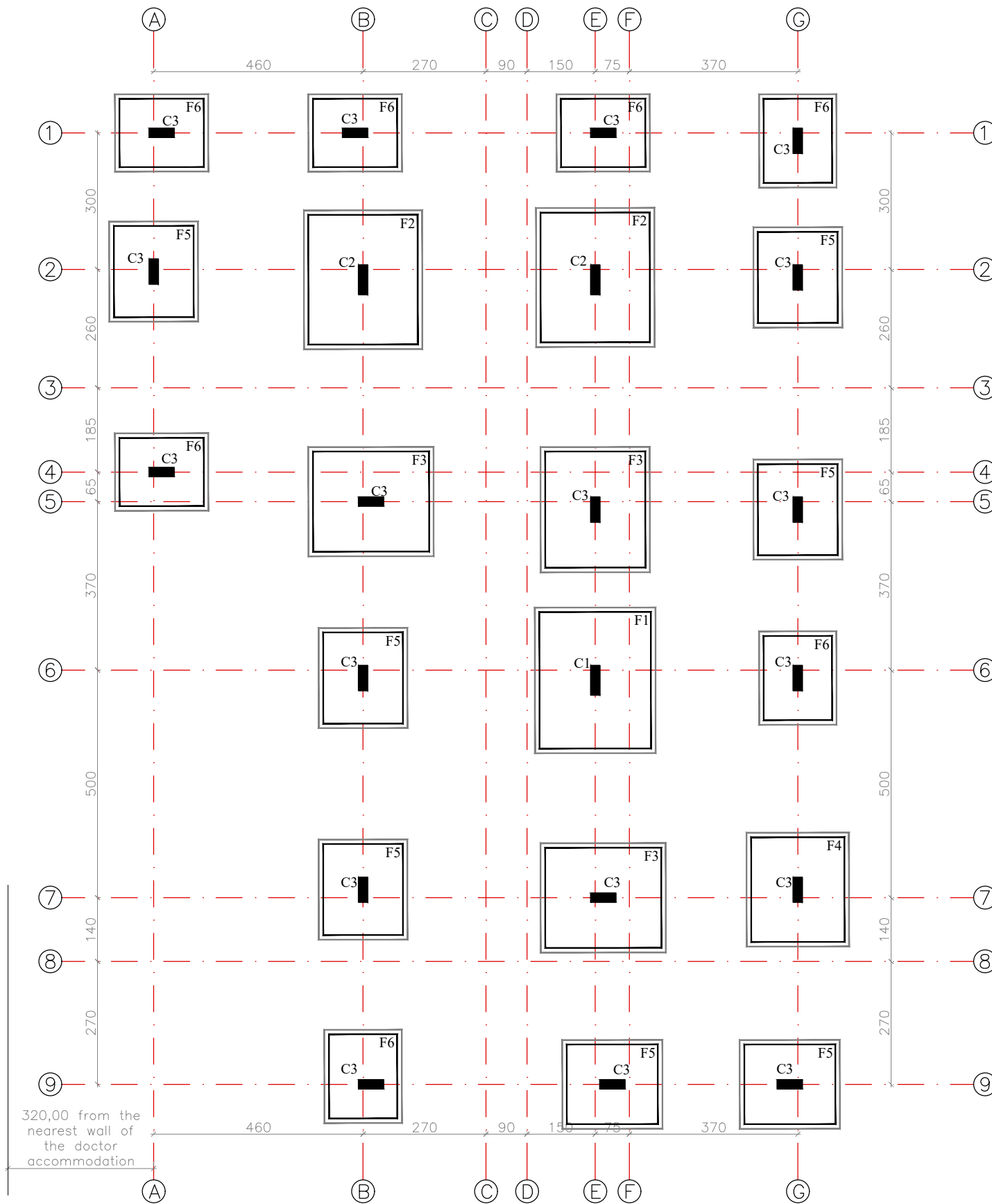


Table Reinforcement For Beams								
Symbol	Dimension (cm)		Reinforcement					
			lower		Upper		Stirrups	
	Height	Width	Continuous	Added	Continuous	Added	At ends	At middle
GB1	50	20	3Ø16	1Ø16	3Ø16	---	1*7Ø8/m	1*7Ø8/m
GB2	50	20	3Ø16	---	3Ø16	---	1*7Ø8/m	1*7Ø8/m

Table Reinforcement For Neck Columns and 1 st Floor Columns						
Symbol	Qty	Dimension (cm)		Reinforcement		
		Length	Width	Longitudinal	Stirrups	
C1	1	75	25	12Ø16	2*7Ø8/m	
C2	1	65	25	12Ø16	2*7Ø8/m	
C3	19	55	25	12Ø16	2*7Ø8/m	

Footings Table Details							
Symbol	Qty	Dimension (cm)			Reinforcement		
		Length	Width	Height	Short Direction	Long Direction	Connection
F1	1	300	245	60	21Ø16	17Ø16	2+2Ø16
F2	2	285	240	60	19Ø16	16Ø16	2+2Ø16
F3	3	255	220	55	16Ø16	13Ø16	2+2Ø16
F4	1	230	205	55	15Ø16	13Ø16	2+2Ø16
F5	7	210	175	50	10Ø16	9Ø16	2+2Ø16
F6	7	185	150	50	10Ø16	8Ø16	2+2Ø16

DIMENSION:

- ALL DIMENSION ARE IN CENTIMETER UNLESS MENTIONED.
- ALL REBAR DIAMETER ARE IN MILLIMETERS UNLESS MENTIONED.

CONCRETE:

- ALL WORKMANSHIP AND MATERIALS SHALL BE IN ACCORDANCE WITH THE AMERICAN CONCRETE CODE ACI-318M-19.
- ORDINARY PORTLAND CEMENT SHALL BE USED IN CONCRETE.
- CONCRETE COVER SHALL BE 30MM FOR COLUMNS AND BEAMS, 50MM FOR FOUNDATION, AND 2.5MM FOR SLABS.
- CONCRETE COMPRESSIVE STRENGTH SHALL BE 30 MPA.

REINFORCEMENT:

- SUPPLIED STEEL REBAR SHALL CONFIRM TO ASTM A-615M WITH MINIMUM YIELD STRESS OF 420 MPA AND 280MPA FOR STIRRUPS.

DESIGN:

- FOUNDATION HAS BEEN DESIGNED FOR ALLOWABLE NET SOIL BEARING CAPACITY OF 196KPA.
- FOUNDATION DESIGNED FOR THREE STORIES.
- EXCAVATION SHALL BE UNTIL SUITABLE FOUNDING SOIL AND NOT BE LESS THAN 2M.

	PROJECT TITLE :	BUILDING NAME :	DRAWING TITLE :	HQ stamp :	N° Date	Issue	SHEET N° : C-1-1 scale : Date : 29 / 07 / 2025
	AD DAHI HOSPITAL - Yemen -	Laboratory, sterilization and X-Ray	Foundation Plan	FOR BID ONLY	1 May 18, 2025.	IFT	
CODE CAM : CNSTR HMAT XXX		FILE NAME : 02-Structural Design.dwg		BUDGET CODE SUB-PROJ. YE115.C001			

MEDECINS SANS FRONTIERES - D:\Users\y115constrmgr\appdata\local\temp\AcPublish_17884\02-Structural Design.dwg, C-1-2, 29 07 2025 - 12:38

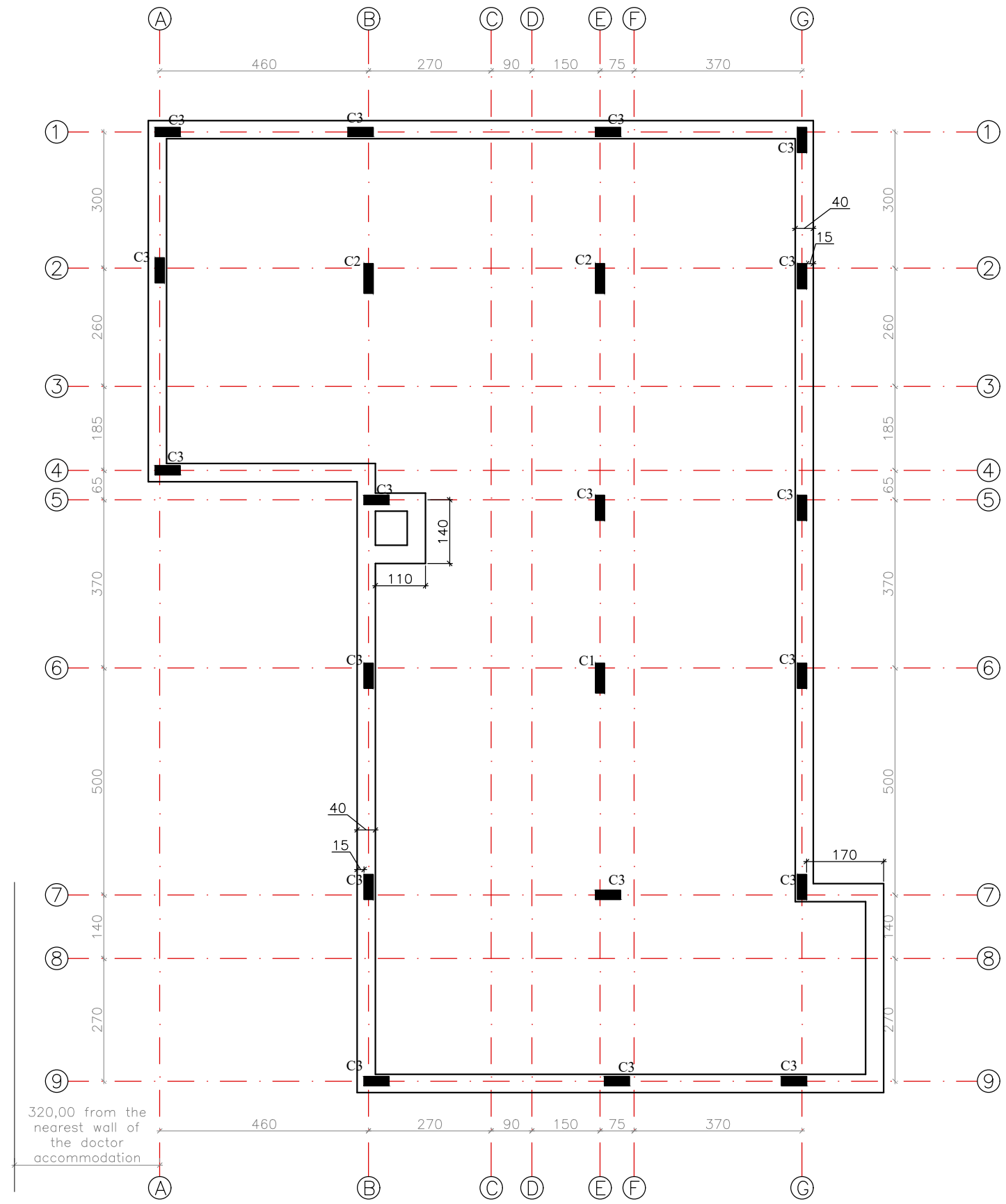


Table Reinforcement For Beams								
Symbol	Dimension (cm)		Reinforcement					
	Height	Width	lower		Upper		Stirrups	
			Continuous	Added	Continuous	Added	At ends	At middle
GB1	50	20	3Ø16	1Ø16	3Ø16	---	1*7Ø8/m	1*7Ø8/m
GB2	50	20	3Ø16	---	3Ø16	---	1*7Ø8/m	1*7Ø8/m

Table Reinforcement For Neck Columns and 1 st Floor Columns						
Symbol	Qty	Dimension (cm)		Reinforcement		
		Length	Width	Longitudinal	Stirrups	
C1	1	75	25	12Ø16	2*7Ø8/m	
C2	1	65	25	12Ø16	2*7Ø8/m	
C3	19	55	25	12Ø16	2*7Ø8/m	

Footings Table Details							
Symbol	Qty	Dimension (cm)			Reinforcement		
		Length	Width	Height	Short Direction	Long Direction	Connection
F1	1	300	245	60	21Ø16	17Ø16	2+2Ø16
F2	2	285	240	60	19Ø16	16Ø16	2+2Ø16
F3	3	255	220	55	16Ø16	13Ø16	2+2Ø16
F4	1	230	205	55	15Ø16	13Ø16	2+2Ø16
F5	7	210	175	50	10Ø16	9Ø16	2+2Ø16
F6	7	185	150	50	10Ø16	8Ø16	2+2Ø16

- DIMENSION:**
- ALL DIMENSION ARE IN CENTIMETER UNLESS MENTIONED.
 - ALL REBAR DIAMETER ARE IN MILLIMETERS UNLESS MENTIONED.
- CONCRETE:**
- ALL WORKMANSHIP AND MATERIALS SHALL BE IN ACCORDANCE WITH THE AMERICAN CONCRETE CODE ACI-318M-19.
 - ORDINARY PORTLAND CEMENT SHALL BE USED IN CONCRETE.
 - CONCRETE COVER SHALL BE 30MM FOR COLUMNS AND BEAMS, 50MM FOR FOUNDATION, AND 2.5MM FOR SLABS.
 - CONCRETE COMPRESSIVE STRENGTH SHALL BE 30 MPA.
- REINFORCEMENT:**
- SUPPLIED STEEL REBAR SHALL CONFIRM TO ASTM A-615M WITH MINIMUM YIELD STRESS OF 420 MPA AND 280MPA FOR STIRRUPS.
- DESIGN:**
- FOUNDATION HAS BEEN DESIGNED FOR ALLOWABLE NET SOIL BEARING CAPACITY OF 196KPA.
 - FOUNDATION DESIGNED FOR THREE STORIES.
 - EXCAVATION SHALL BE UNTIL SUITABLE FOUNDING SOIL AND NOT BE LESS THAN 2M.

	PROJECT TITLE :	BUILDING NAME :	DRAWING TITLE :	HQ stamp :	N° Date	Issue	Sheet N° : C-1-2
	AD DAHI HOSPITAL - Yemen -	Laboratory, sterilization and X-Ray	Underground Stone Wall Plan	<div style="border: 2px solid red; padding: 5px; display: inline-block; transform: rotate(-15deg);"> FOR BID ONLY </div>	1	May 18, 2025.	
	CODE CAM : CNSTR HMAT XXX		FILE NAME : 02-Structural Design.dwg				BUDGET CODE SUB-PROJ. YE115.C001

D:\Users\y115constrmgr\appdata\local\temp\AcPublish_17884\02-Structural Design.dwg, C-1-3, 29 07 2025 - 12:38

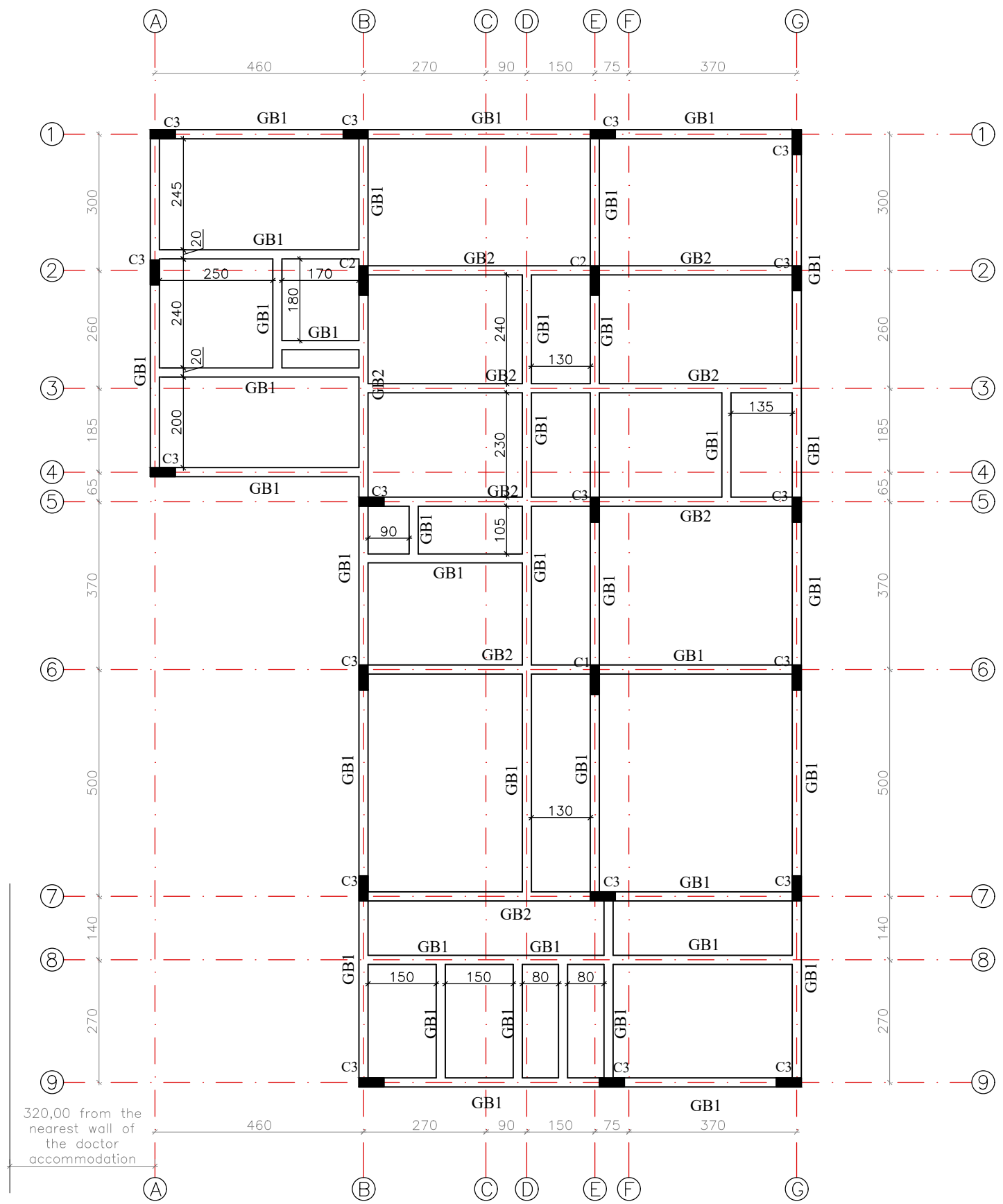


Table Reinforcement For Beams								
Symbol	Dimension (cm)		Reinforcement					
			lower		Upper		Stirrups	
	Height	Width	Continuous	Added	Continuous	Added	At ends	At middle
GB1	50	20	3Ø16	1Ø16	3Ø16	---	1*7Ø8/m	1*7Ø8/m
GB2	50	20	3Ø16	---	3Ø16	---	1*7Ø8/m	1*7Ø8/m

Table Reinforcement For Neck Columns and 1 st Floor Columns						
Symbol	Qty	Dimension (cm)		Reinforcement		
		Length	Width	Longitudinal	Stirrups	
C1	1	75	25	12Ø16	2*7Ø8/m	
C2	1	65	25	12Ø16	2*7Ø8/m	
C3	19	55	25	12Ø16	2*7Ø8/m	

Footings Table Details							
Symbol	Qty	Dimension (cm)			Reinforcement		
		Length	Width	Height	Short Direction	Long Direction	Connection
F1	1	300	245	60	21Ø16	17Ø16	2+2Ø16
F2	2	285	240	60	19Ø16	16Ø16	2+2Ø16
F3	3	255	220	55	16Ø16	13Ø16	2+2Ø16
F4	1	230	205	55	15Ø16	13Ø16	2+2Ø16
F5	7	210	175	50	10Ø16	9Ø16	2+2Ø16
F6	7	185	150	50	10Ø16	8Ø16	2+2Ø16

DIMENSION:

1. ALL DIMENSION ARE IN CENTIMETER UNLESS MENTIONED.
2. ALL REBAR DIAMETER ARE IN MILLIMETERS UNLESS MENTIONED.

CONCRETE:

1. ALL WORKMANSHIP AND MATERIALS SHALL BE IN ACCORDANCE WITH THE AMERICAN CONCRETE CODE ACI-318M-19.
2. ORDINARY PORTALAND CEMENT SHALL BE USED IN CONCRETE.
3. CONCRETE COVER SHALL BE 30MM FOR COLUMNS AND BEAMS, 50MM FOR FOUNDATION, AND 2.5MM FOR SLABS.
4. CONCRETE COMPRESSIVE STRENGTH SHALL BE 30 MPA.

REINFORCEMENT:

1. SUPPLIED STEEL REBAR SHALL CONFIRM TO ASTM A-615M WITH MINIMUM YIELD STRESS OF 420 MPA AND 280MPA FOR STIRRUPS.

DESIGN:

1. FOUNDATION HAS BEEN DESIGNED FOR ALLOWABLE NET SOIL BEARING CAPACITY OF 196KPA.
2. FOUNDATION DESIGNED FOR THREE STORIES.
3. EXCAVATION SHALL BE UNTIL SUITABLE FOUNDING SOIL AND NOT BE LESS THAN 2M.



PROJECT TITLE :
**AD DAHI HOSPITAL
- Yemen -**

BUILDING NAME :
**Laboratory, sterilization
and X-Ray**

CODE CAM : CNSTR | HMAT | XXX

DRAWING TITLE :
Ground Beams Plan

FILE NAME : 02-Structural Design.dwg

HQ stamp :
FOR BID ONLY

N° Date
1 May 18, 2025.

Issue
IFT

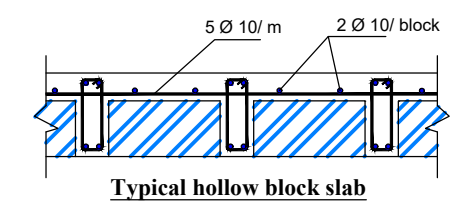
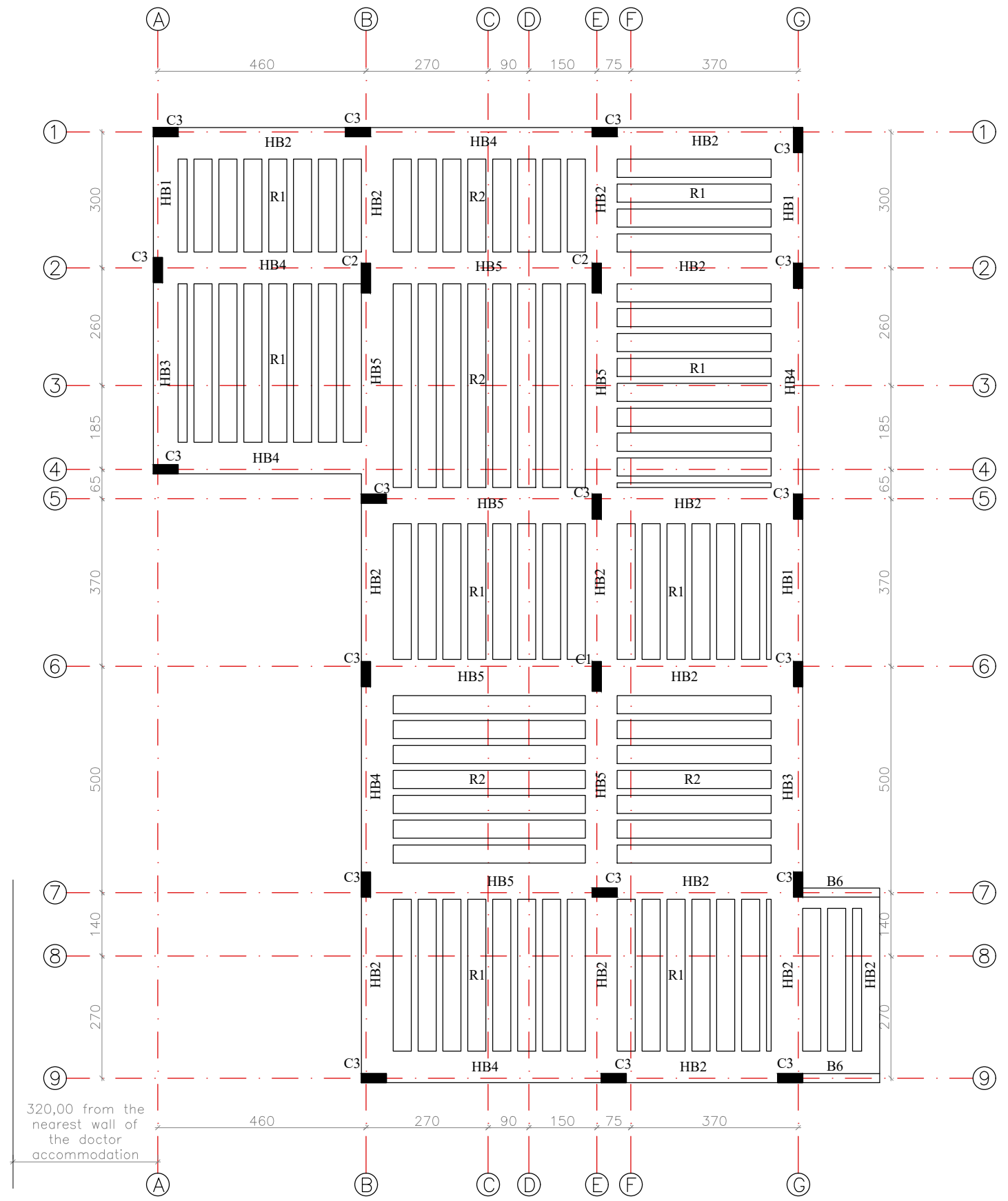
BUDGET CODE SUB-PROJ.
YE115/C001

Sheet N° :
C-1-3

scale :
.....

Date : 29 / 07 / 2025

MEDECINS SANS FRONTIERES - D:\Users\y115constrmgr\appdata\local\temp\AcPublish_17884\02-Structural Design.dwg, C-1-4, 29 07 2025 - 12:38



Symbol	Dimension (cm)		Reinforcement					
			lower		Upper		Stirrups	
	Height	Width	Continuous	Added	Continuous	Added	At ends	At middle
HB1	30	55	4Ø16	3Ø16	4Ø16	3Ø16	2*7Ø8/m	2*7Ø8/m
HB2	30	55	5Ø16	3Ø16	5Ø16	3Ø16	2*7Ø8/m	2*7Ø8/m
HB3	30	70	6Ø16	4Ø16	6Ø16	4Ø16	2*7Ø8/m	2*7Ø8/m
HB4	30	80	6Ø16	5Ø16	6Ø16	5Ø16	3*7Ø8/m	3*7Ø8/m
HB5	30	80	7Ø16	5Ø16	7Ø16	5Ø16	3*7Ø8/m	3*7Ø8/m
B6	70	20	3+3Ø16	---	7+4Ø16	---	(1+1)*7Ø8/m	(1+1)*7Ø8/m
R1	30	15	2Ø12	---	2Ø12	---	5Ø8/m	5Ø8/m
R2	30	15	2Ø12	1Ø12	2Ø12	---	5Ø8/m	5Ø8/m

DIMENSION:

- ALL DIMENSION ARE IN CENTIMETER UNLESS MENTIONED.
- ALL REBAR DIAMETER ARE IN MILLIMETERS UNLESS MENTIONED.

CONCRETE:

- ALL WORKMANSHIP AND MATERIALS SHALL BE IN ACCORDANCE WITH THE AMERICAN CONCRETE CODE ACI-318M-19.
- ORDINARY PORTALAND CEMENT SHALL BE USED IN CONCRETE.
- CONCRETE COVER SHALL BE 30MM FOR COLUMNS AND BEAMS, 50MM FOR FOUNDATION, AND 2.5MM FOR SLABS.
- CONCRETE COMPRESSIVE STRENGTH SHALL BE 30 MPA.

REINFORCEMENT:

- SUPPLIED STEEL REBAR SHALL CONFIRM TO ASTM A-615M WITH MINIMUM YIELD STRESS OF 420 MPA AND 280MPA FOR STIRRUPS.

DESIGN:

- FOUNDATION HAS BEEN DESIGNED FOR ALLOWABLE NET SOIL BEARING CAPACITY OF 196KPA.
- FOUNDATION DESIGNED FOR THREE STORIES.
- EXCAVATION SHALL BE UNTIL SUITABLE FOUNDING SOIL AND NOT BE LESS THAN 2M.



PROJECT TITLE :
**AD DAHI HOSPITAL
- Yemen -**

BUILDING NAME :
**Laboratory, sterilization
and X-Ray**

CODE CAM : CNSTR | HMAT | XXX

DRAWING TITLE :
First Floor Slab

FILE NAME : 02-Structural Design.dwg

HQ stamp :
FOR BID ONLY

N° Date Issue
1 May 18, 2025. IFT

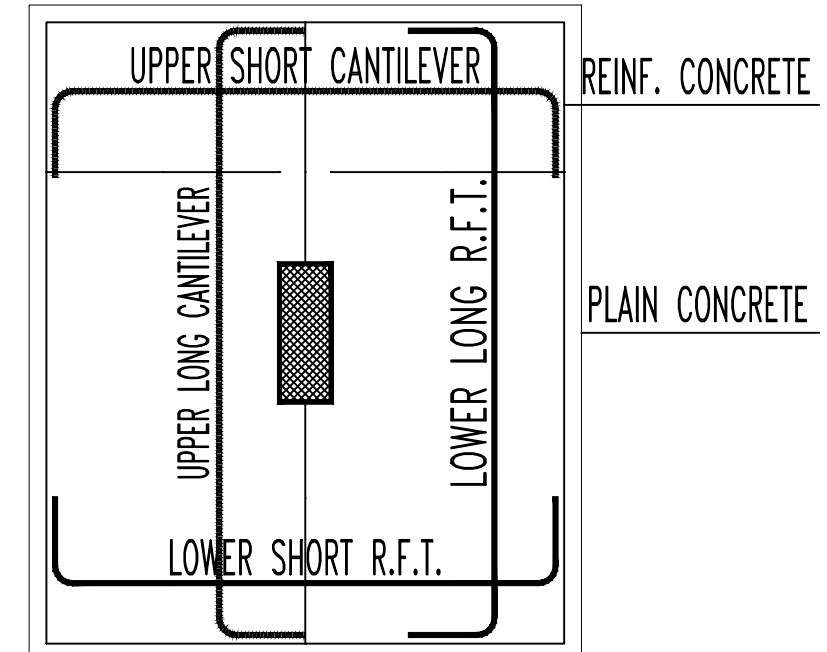
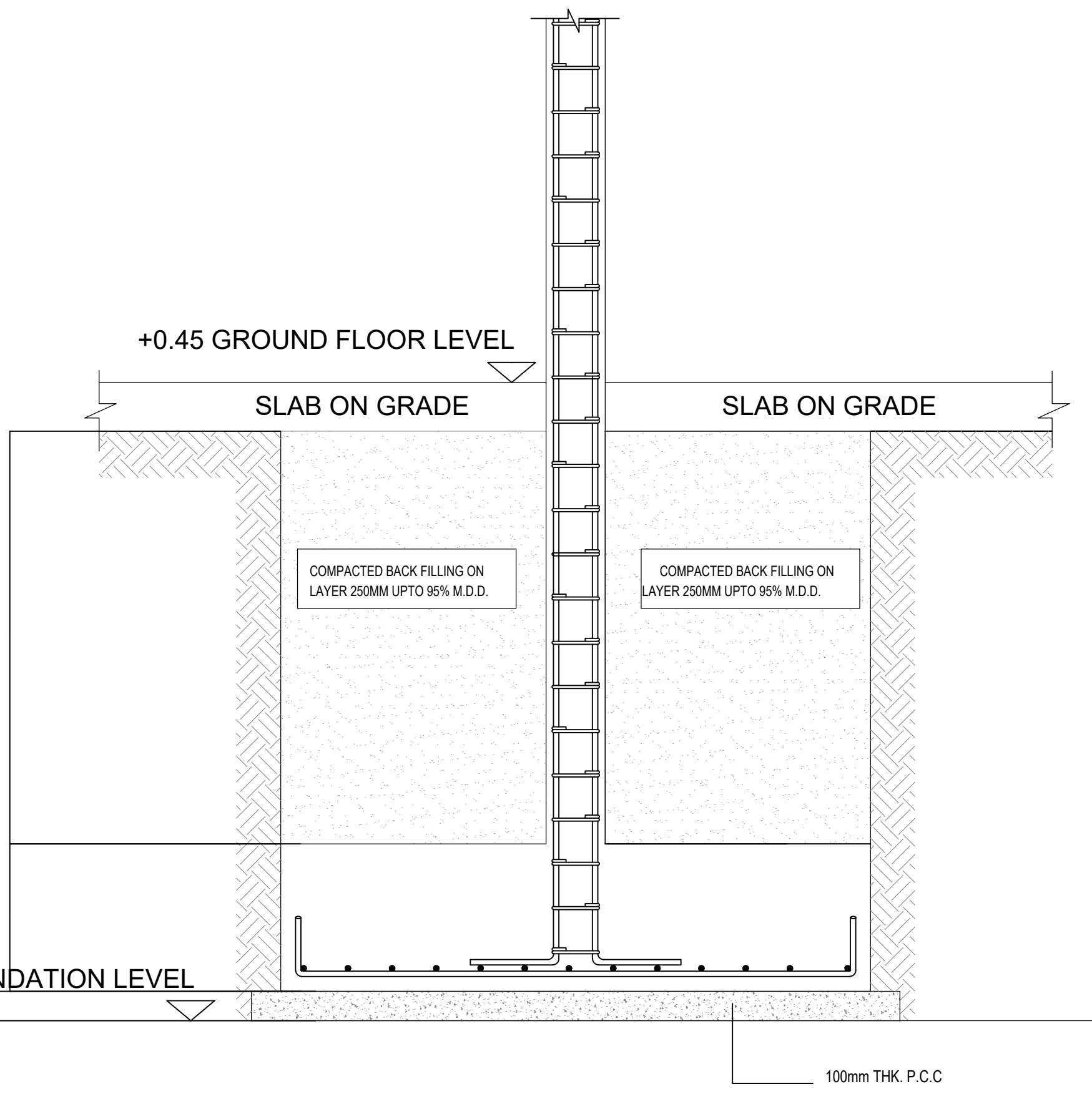
BUDGET CODE SUB-PROJ.
YE115,C001

Sheet N° :
C-1-4



scale :
.....

Date : 29 / 07 / 2025

MEDECINS SANS FRONTIERES - D:\Users\y115constrmgr\opendata\local\temp\AcPublish_17884\02-Structural Design.dwg, C-2-0, 29 07 2025 - 12:38

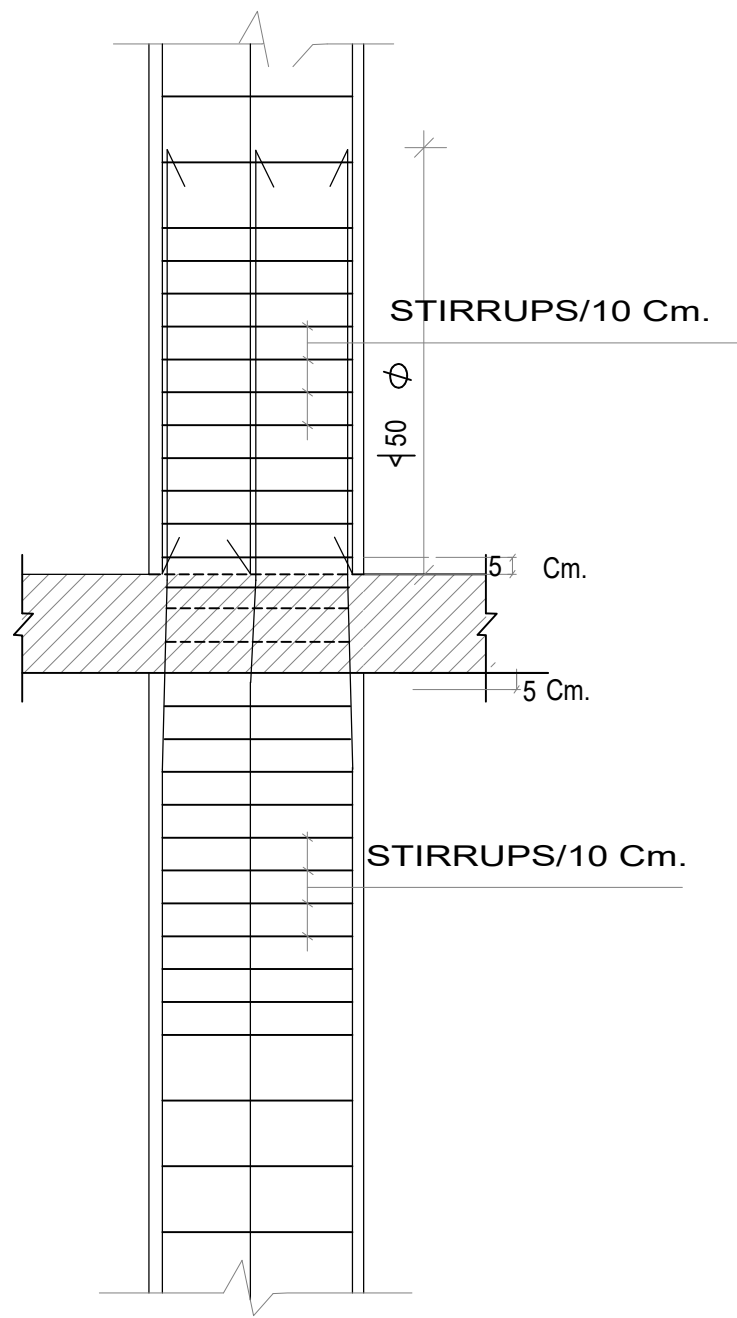


ISOLATED FOOTING R.F.T.

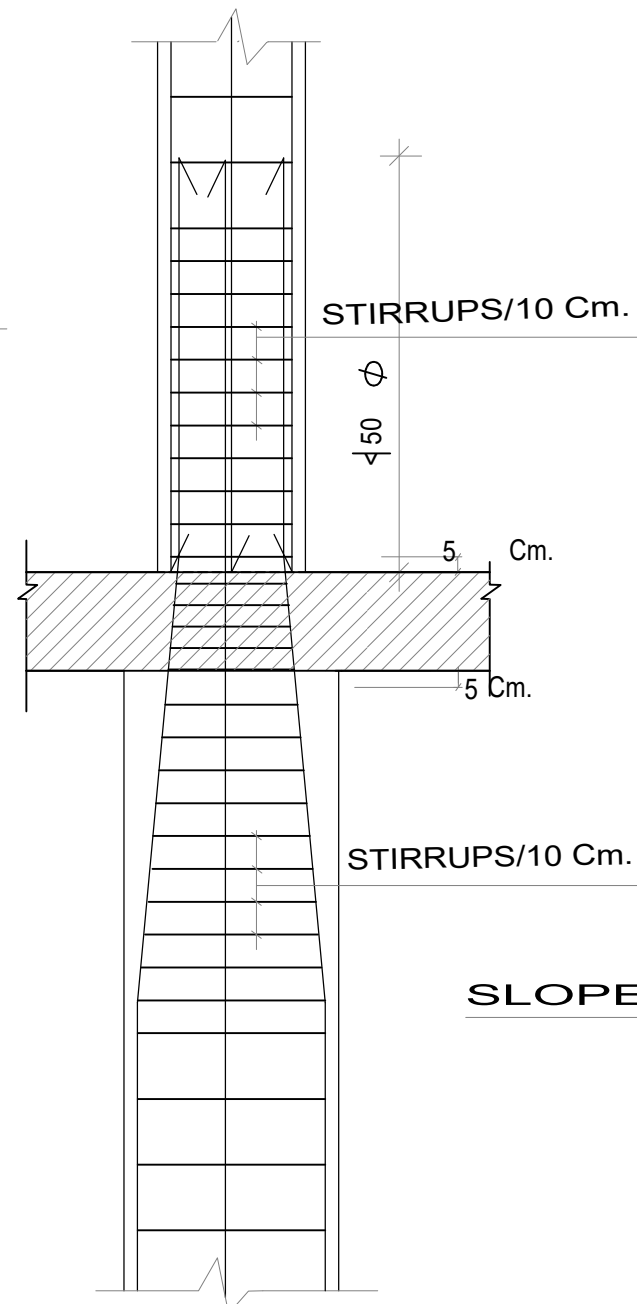
	PROJECT TITLE :	YE115 C114	BUILDING NAME :	DRAWING TITLE :	HQ stamp :	N°	Date	Issue	Sheet N° :
	AD DAHI HOSPITAL - Yemen -		Laboratory, sterilization and X-Ray	Typical Foundation Details		1	May 18, 2025.	IFT	C-2-0
		CODE CAM :	CNSTR HMAT XXX	FILE NAME : 02-Structural Design.dwg					scale :
									Date : 29 / 07 / 2025

BUDGET CODE SUB-PROJ. YE115,C001

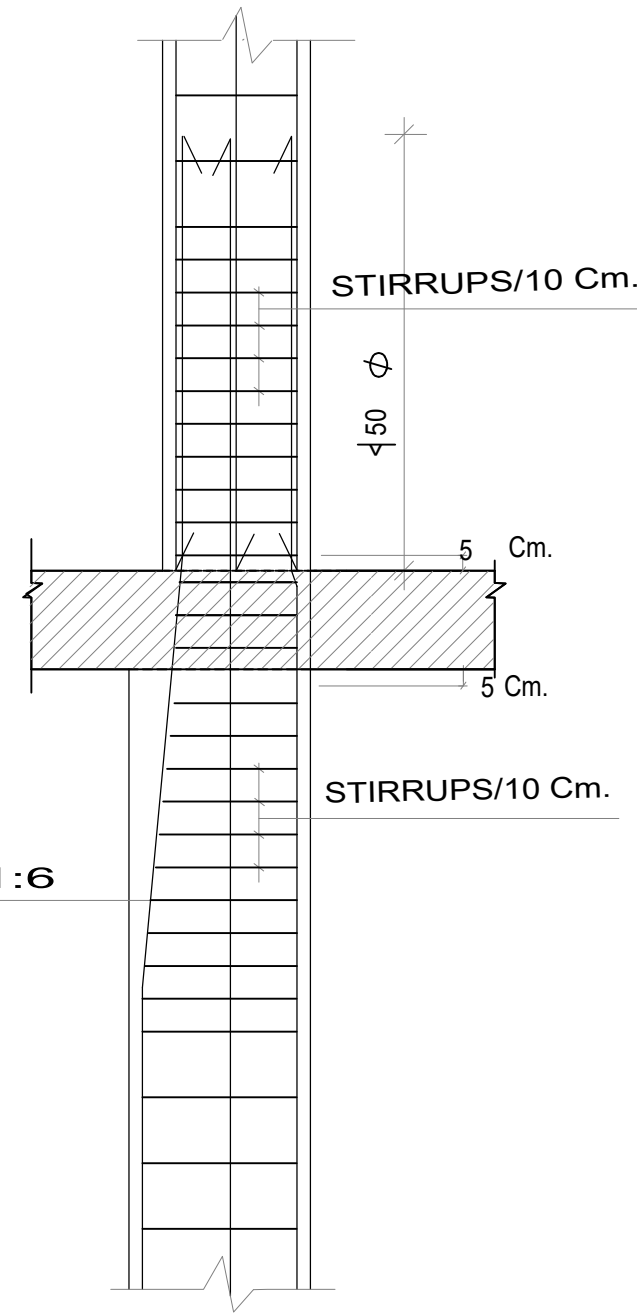
MEDECINS SANS FRONTIERES - D:\Users\yvt115constrmgr\opendata\local\temp\AcPublish_17884\02-Structural Design.dwg, C-2-1, 29 07 2025 - 12:38



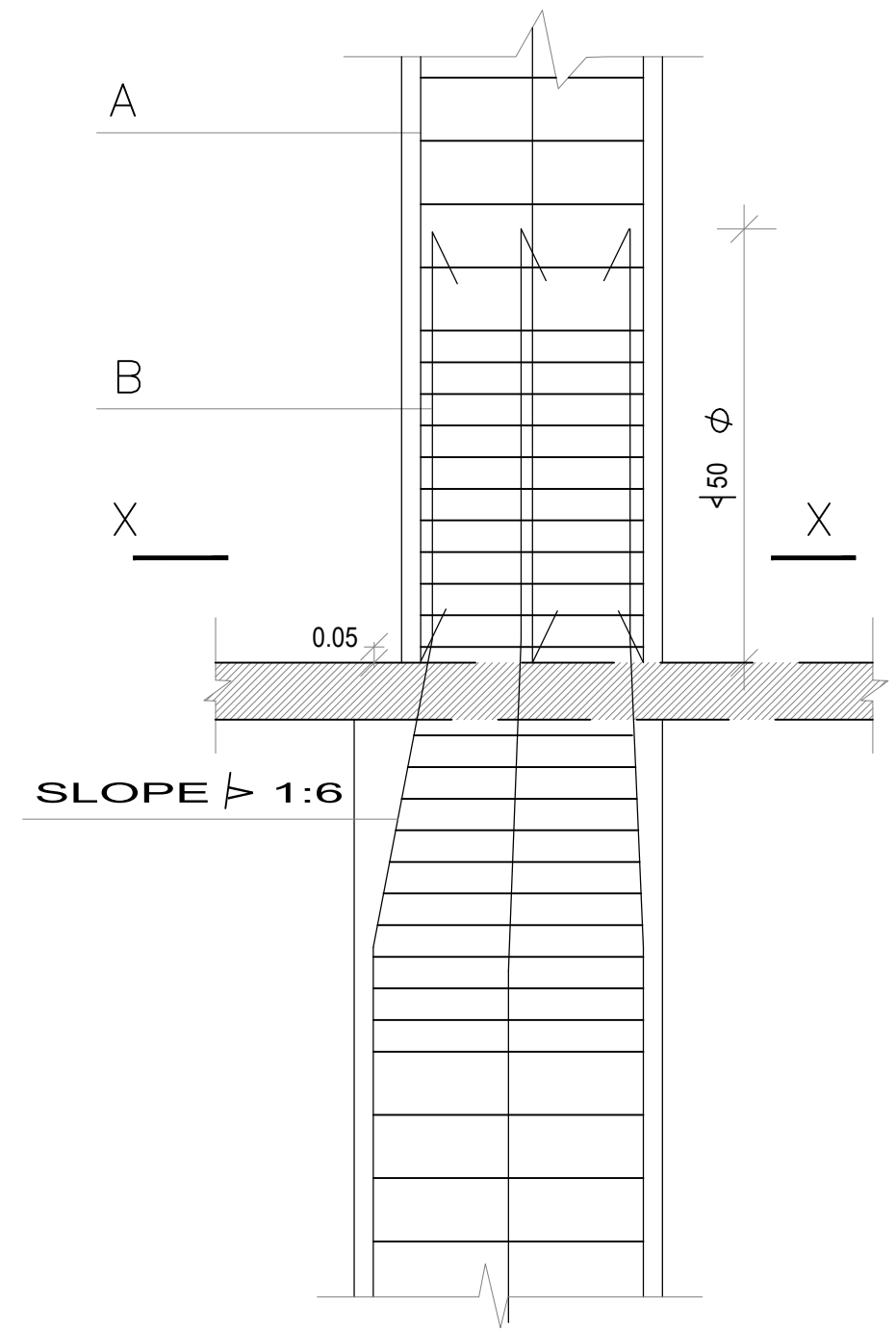
COL. SEC. UNCHANGED



TWO SIDES CHANGE



ONE SIDE CHANGE



SPLICES OF COLUMNS REINFORCEMENT



PROJECT TITLE :

**AD DAHI HOSPITAL
- Yemen -**

YE115 C114

BUILDING NAME :

**Laboratory, sterilization
and X-Ray**

CODE CAM : CNSTR | HMAT | XXX

DRAWING TITLE :

Typical Column Details

FILE NAME : 02-Structural Design.dwg

HQ stamp :



N° Date

1 May 18, 2025.

Issue

IFT

BUDGET CODE SUB-PROJ.
YE115 C001

Sheet N° :

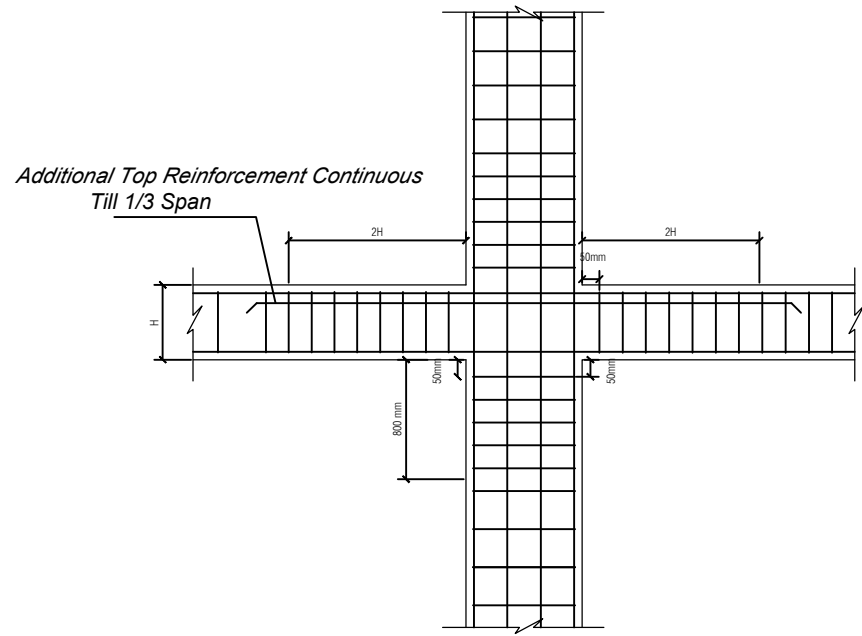
C-2-1

scale :

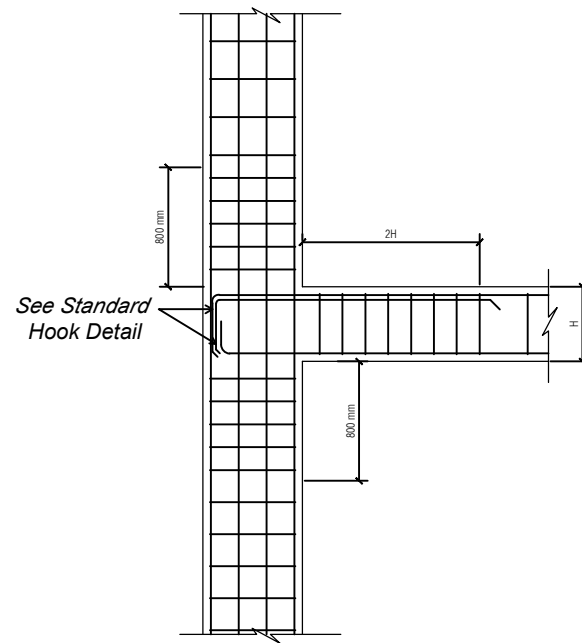
.....

Date : 29 / 07 / 2025

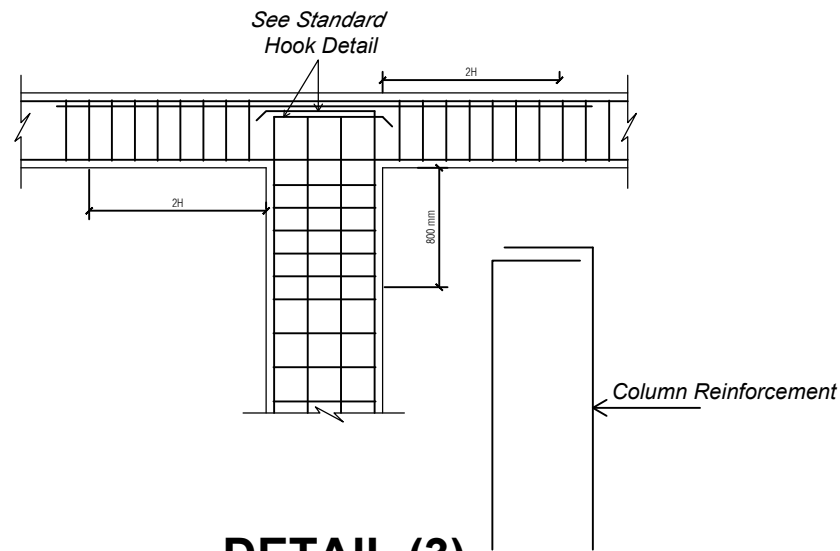
MEDECINS SANS FRONTIERES - D:\Users\yfr115constrmgr\opendata\local\temp\AcPublish_17884\02-Structural Design.dwg, C-2-2, 29 07 2025 - 12:38



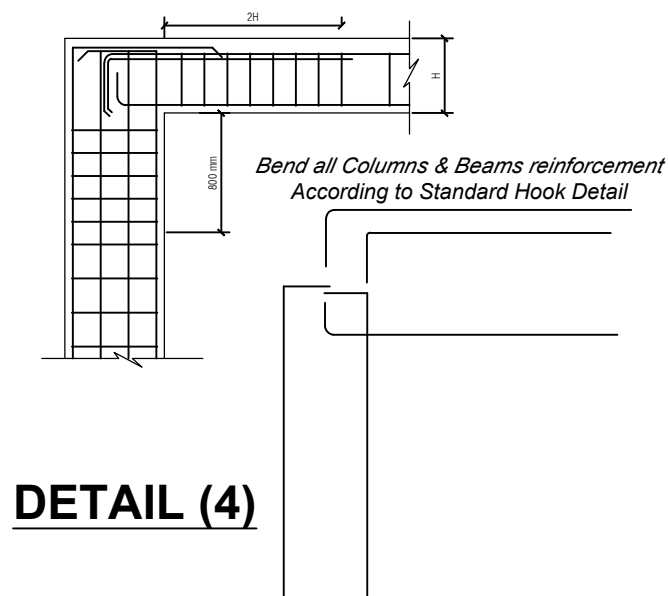
DETAIL (1)



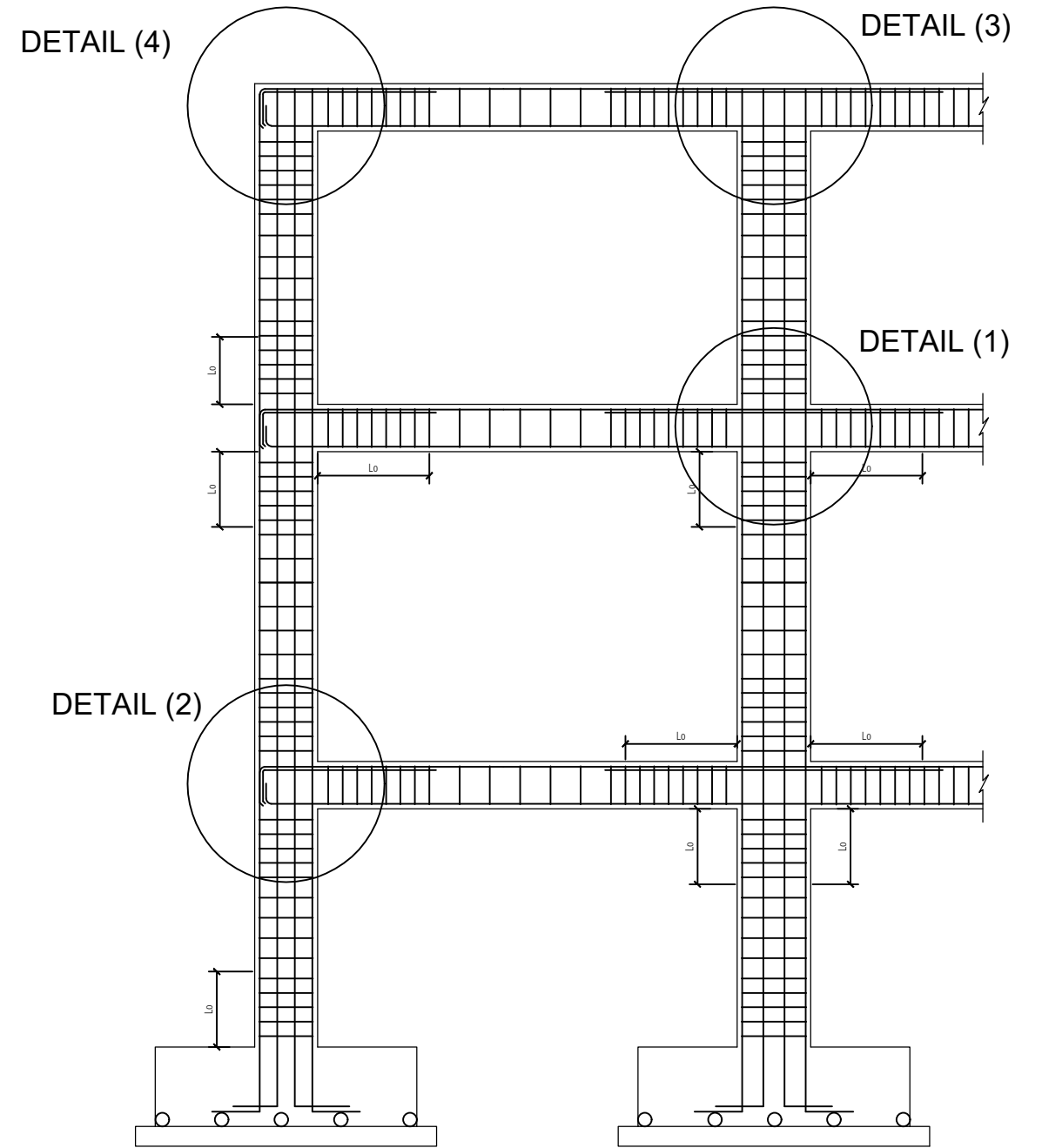
DETAIL (2)



DETAIL (3)



DETAIL (4)



GENERAL DETAIL OF MOMENTS RESISTING CONCRETE FRAMES



PROJECT TITLE :

**AD DAHI HOSPITAL
- Yemen -**

YE115 C114

BUILDING NAME :

**Laboratory, sterilization
and X-Ray**

CODE CAM : CNSTR | HMAT | XXX

DRAWING TITLE :

Typical Details

FILE NAME : 02-Structural Design.dwg

HQ stamp :



N° Date

1 May 18, 2025.

Issue

IFT

BUDGET CODE SUB-PROJ.
YE115 C001

Sheet N° :

C-2-2

scale :

.....

Date : 29 / 07 / 2025