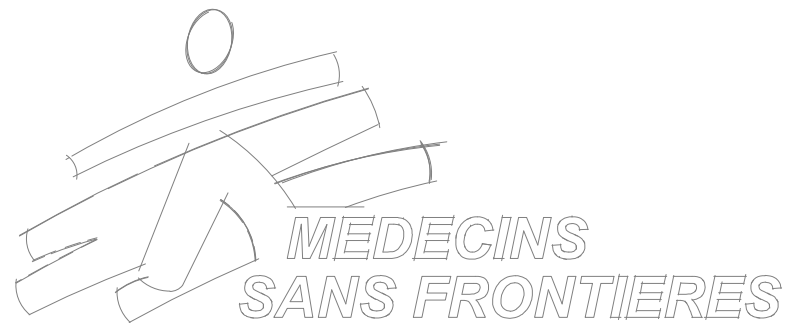


MEDECINS SANS FRONTIERES - D:\Users\ye115constrmgr\appdata\local\temp\AcPublish_16936\03-Drainage and Water Supply Design, July 28.dwg, 0.0, 03/08/2025 - 15:00

Ad Dahi Hospital

Laboratory Sterilization and XRay

DRAINAGE



PROJECT TITLE :

**AD DAHI HOSPITAL
- Yemen -**

YE115 C001

BUILDING NAME :

**Laboratory sterilization
and X-Ray**

CODE CAM : CNSTR | HMAT | XXX

DRAWING TITLE :

FILE NAME : 03-Drainage and Water Supply Design, July 28.dwg

HQ stamp :



N° Date Issue

a 2024/12/11 First issue
b 2024/12/12 2nd Proposal & feedback
c 2025/07/28

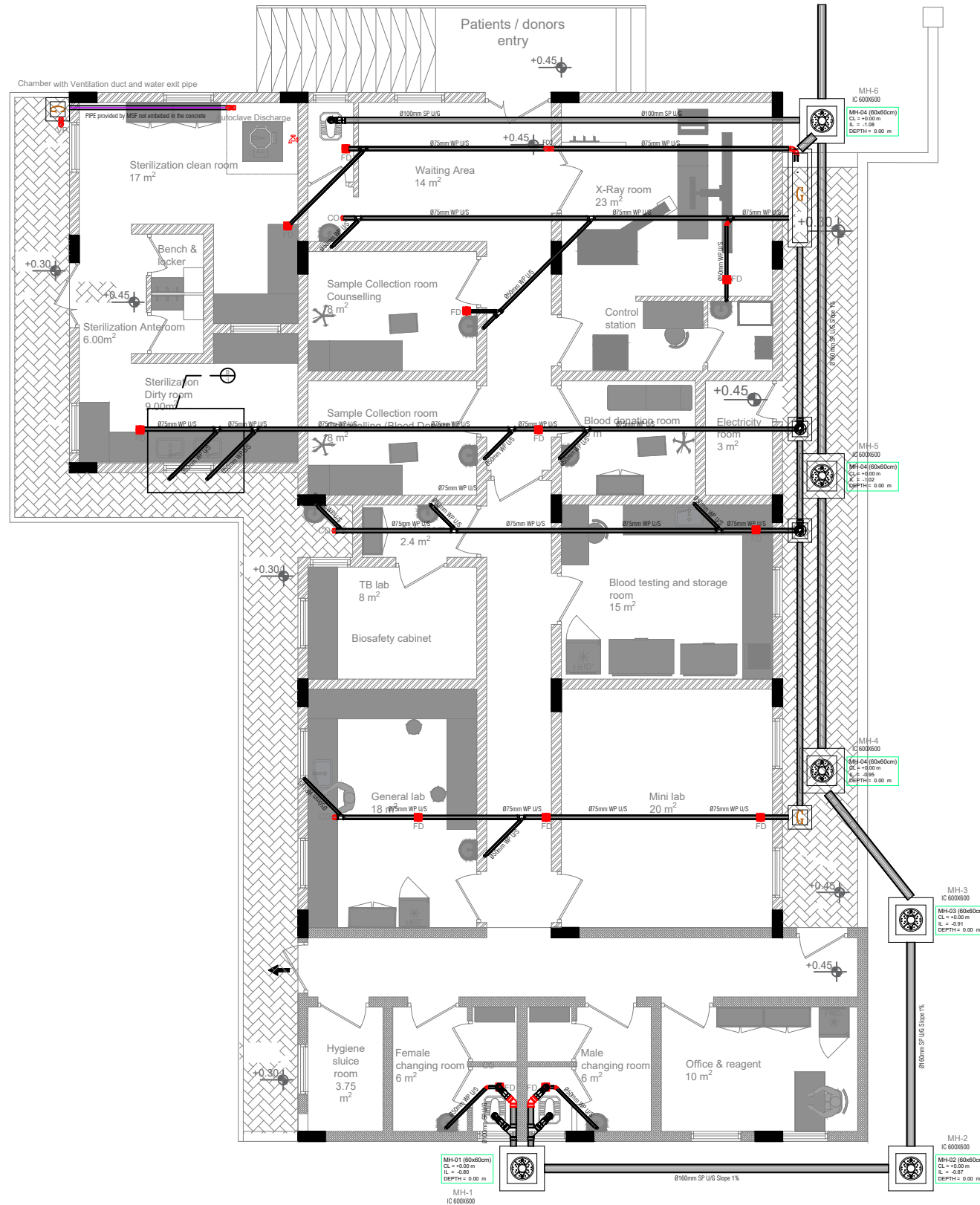
BUDGET CODE SUB-PROJ:
YE115,C001

Sheet N° :

0.0

scale :

Date : 03 / 08 / 2025



LEGENDS	
DESCRIPTION	ABBREVIATION
SOIL PIPE	SP
WASTE PIPE	WP
VENT PIPE	VP
FLOOR CLEAN OUT	FCO
FLOOR DRAIN	FD
RAIN WATER PIPE	RWP
VENT PIPE STACK	VP/S
MAN HOLE	MH
TO ABOVE	T/A
FROM BELOW	F/B
FROM ABOVE	F/A
UNDER SLAB	U/S
UNDER GROUND	U/G
INSPECTION CHAMBER	IC
CLEAR LEVEL	CL
INVERT LEVEL	IL
CLEAN OUT	CO
DESCRIPTION	SYMBOL
ARABIC WATER CLOSET	
LAVATORY	
LAB SINK	
FLOOR DRAIN	
FLOOR CLEAN OUT	
RAIN WATER DRAIN	
MAN HOLE	
GALLY TRAP	
CLEAN OUT	

PLUMBING GENERAL NOTES:
 All dimensions are in meters unless otherwise noted.
 All Level are in meters.
 All Pipe sizes are in inches and are nominal diameter unless otherwise noted.
 All Piping is shown Schematically.
 All Pipes to pass through sleeves should be in RC work.
 All Vent Pipes above roof to be Galvanized Iron.
 All Vent Pipes penetrating roof to have flashing.
 Sanitary Fixture layout to be co-ordinated with Architectural Tile Lay-out.
 All (PVC) Sanitary Drainage Piping to be Class 4.
 All Finished flooring to slope towards floor drain.
 All cold & Hot Water supply Pipes inside the building should be UPVC Class-5 or equivalent Sch. 80.



PROJECT TITLE :
**AD DAHI HOSPITAL
- Yemen -**

BUILDING NAME :
**Laboratory sterilization
and X-Ray**

DRAWING TITLE :
DRAIN SYSTEM

HQ stamp :



N°	Date	Issue
a	2024/12/11	First issue
b	2024/12/12	2nd Proposal & feedback
c	2025/07/28	

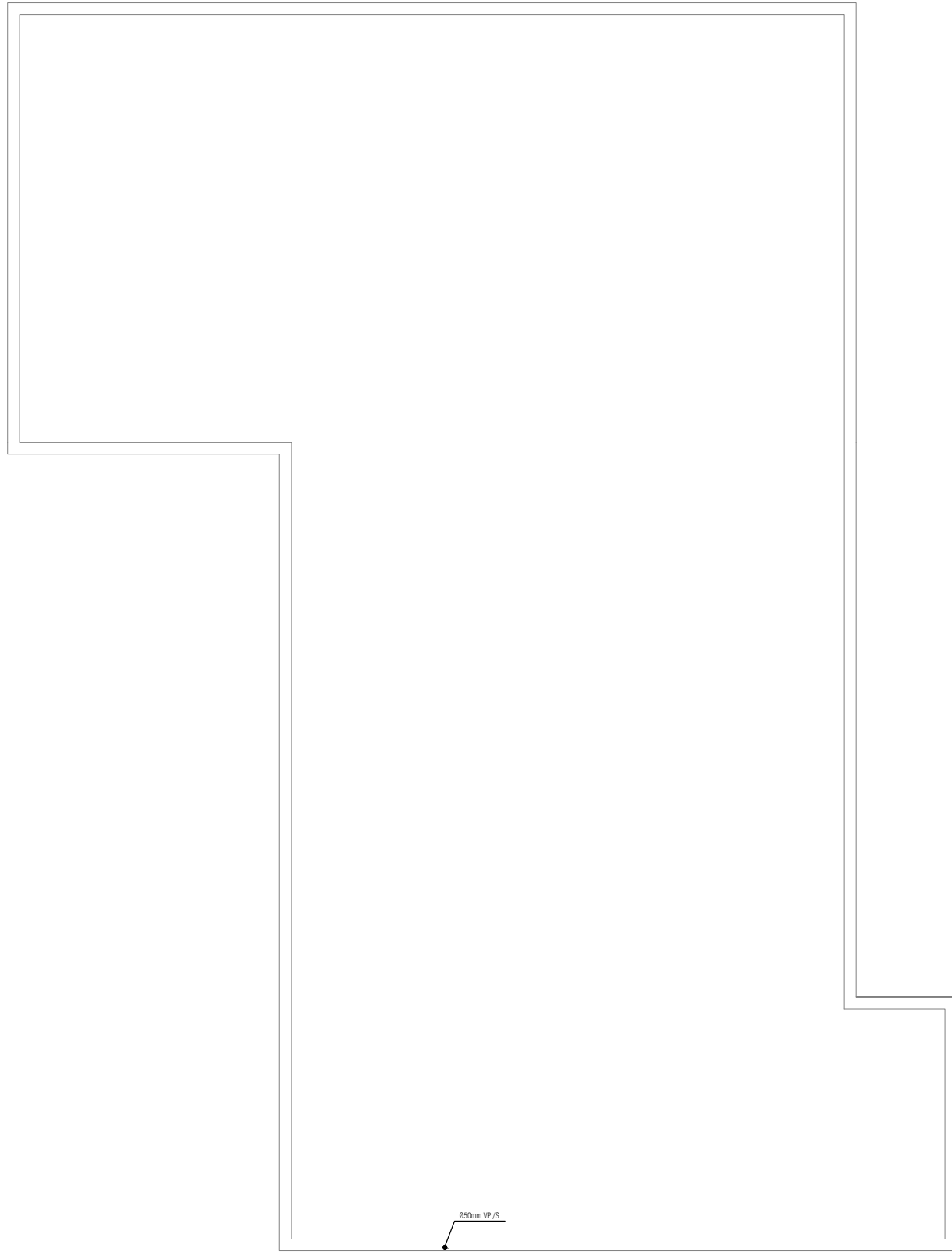
BUDGET CODE / SUB-PROJ :
YE115_C001

Sheet N° :
0.2
 scale :
1:250 sur A3
 Date : 03 / 08 / 2025

CODE CAM : CNSTR | HMAT | XXX

FILE NAME : 03-Drainage and Water Supply Design, July 28.dwg

MEDECINS SANS FRONTIERES - D:\Users\ye115constmgr\appdata\local\temp\AcPublish_16936\03-Drainage and Water Supply Design, July 28.dwg, 1.1, 03/08/2025 - 15:00



LEGENDS

DESCRIPTION	ABBREVIATION
SOIL PIPE	SP
WASTE PIPE	WP
VENT PIPE	VP
FLOOR CLEAN OUT	FCO
FLOOR DRAIN	FD
RAIN WATER PIPE	RWP
VENT PIPE STACK	VP/S
MAN HOLE	MH
TO ABOVE	T/A
FROM BELOW	F/B
FROM ABOVE	F/A
UNDER SLAB	U/S
UNDER GROUND	U/G
INSPECTION CHAMBER	IC
CLEAR LEVEL	CL
INVERT LEVEL	IL
CLEAN OUT	CO
DESCRIPTION	SYMBOL
ARABIC WATER CLOSET	
LAVATORY	
LAB SINK	
FLOOR DRAIN	
FLOOR CLEAN OUT	
RAIN WATER DRAIN	
MAN HOLE	
GALLY TRAP	
CLEAN OUT	CO

PLUMBING GENERAL NOTES:

All dimensions are in meters unless otherwise noted.
 All Level are in meters.
 All Pipe sizes are in inches and are nominal diameter unless otherwise noted.
 All Piping is shown Schematically.
 All Pipes to pass through sleeves should in RC work.
 All Vent Pipes above roof to be Galvanized Iron.
 All Vent Pipes penetrating roof to have flashing.
 Sanitary Fixture layout to be co-ordinated with Architectural Tile Lay-out.
 All (PVC) Sanitary Drainage Piping to be Class 4.
 All Finished flooring to slope towards floor drain.
 All cold & Hot Water supply Pipes inside the building should be UPVC Class-5 or equivalent Sch. 80.



PROJECT TITLE :
**AD DAHI HOSPITAL
- Yemen -**

BUILDING NAME :
**Laboratory sterilization
and X-Ray**

DRAWING TITLE :
VENT PIPE

HQ stamp :



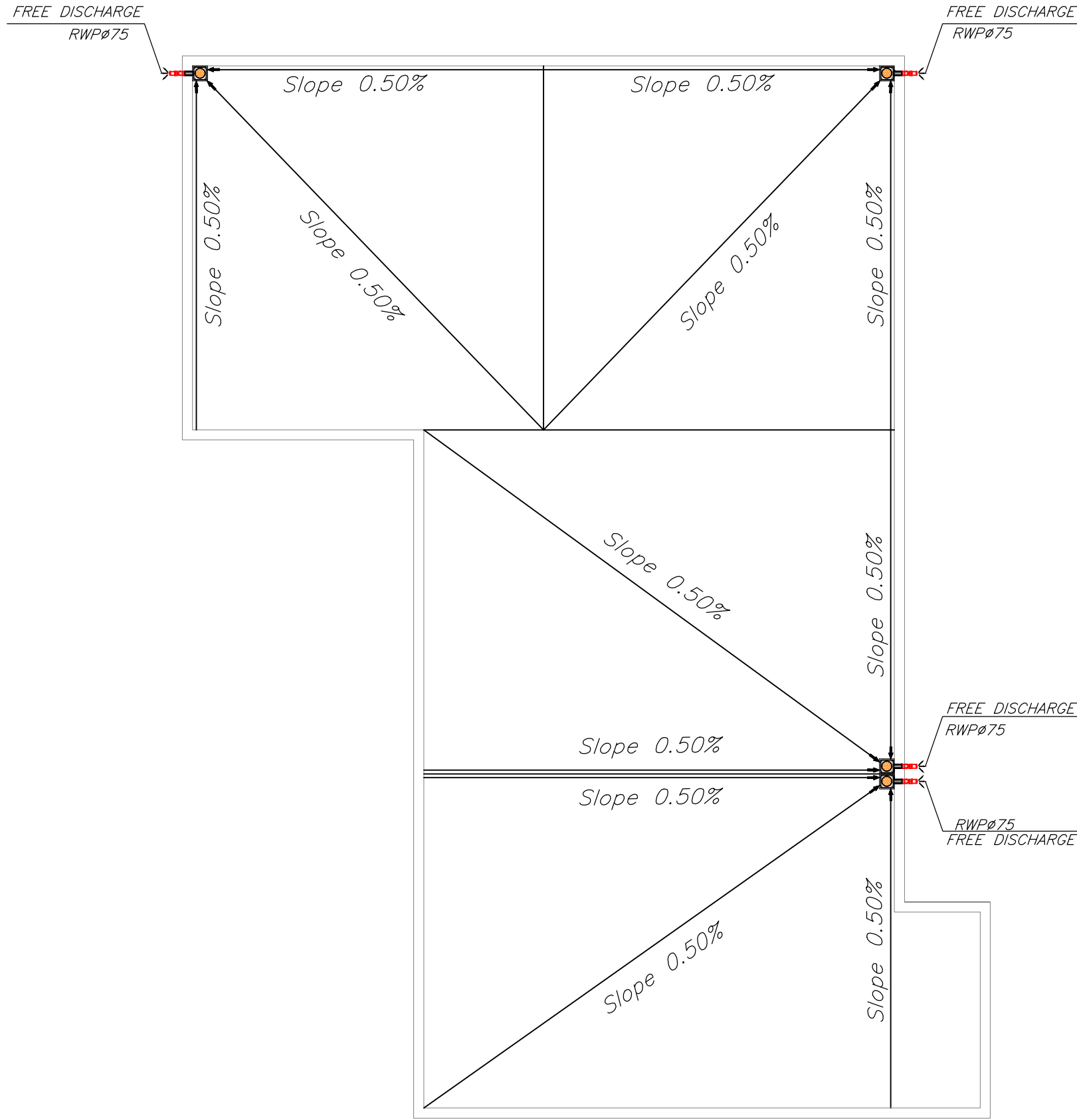
N° Date Issue
 a 2024/12/11 First issue
 b 2024/12/12 2nd Proposal & feedback
 c 2025/07/28

BUDGET CODE SUB-PROJ:
YE115, C001

Sheet N° :
1.1
 scale :
1:100 sur A3
 Date : 03 / 08 / 2025

CODE CAM : CNSTR | HMAT | XXX

FILE NAME : 03-Drainage and Water Supply Design, July 28.dwg



LEGENDS

DESCRIPTION	ABBREVIATION
SOIL PIPE	SP
WASTE PIPE	WP
VENT PIPE	VP
FLOOR CLEAN OUT	FCO
FLOOR DRAIN	FD
RAIN WATER PIPE	RWP
VENT PIPE STACK	VP/S
MAN HOLE	MH
TO ABOVE	T/A
FROM BELOW	F/B
FROM ABOVE	F/A
UNDER SLAB	U/S
UNDER GROUND	U/G
INSPECTION CHAMBER	IC
CLEAR LEVEL	CL
INVERT LEVEL	IL
CLEAN OUT	CO
DESCRIPTION	SYMBOL
ARABIC WATER CLOSET	
LAVATORY	
LAB SINK	
FLOOR DRAIN	
FLOOR CLEAN OUT	
RAIN WATER DRAIN	
MAN HOLE	
GALLY TRAP	
CLEAN OUT	

PLUMBING GENERAL NOTES:

All dimensions are in meters unless otherwise noted.
 All Level are in meters.
 All Pipe sizes are in inches and are nominal diameter unless otherwise noted.
 All Piping is shown Schematically.
 All Pipes to pass through sleeves should in RC work.
 All Vent Pipes above roof to be Galvanized Iron.
 All Vent Pipes penetrating roof to have flashing.
 Sanitary Fixture layout to be co-ordinated with Architectural Tile Lay-out.
 All (PVC) Sanitary Drainage Piping to be Class 4.
 All Finished flooring to slope towards floor drain.
 All cold & Hot Water supply Pipes inside the building should be UPVC Class-5 or equivalent Sch. 80.

MEDECINS SANS FRONTIERES - D:\Users\ye115constrmgr\appdata\local\temp\AcPublish_16936\03-Drainage and Water Supply Design, July 28.dwg, 1.2, 03/08/2025 - 15:00



PROJECT TITLE :
**AD DAHI HOSPITAL
- Yemen -**

BUILDING NAME :
**Laboratory sterilization
and X-Ray**

CODE CAM : CNSTR | HMAT | XXX

DRAWING TITLE :
FLOOR RAIN WATER DRAIN

FILE NAME : 03-Drainage and Water Supply Design, July 28.dwg

HQ stamp :
FOR BID ONLY

N°	Date	Issue
a	2024/12/11	First issue
b	2024/12/12	2nd Proposal & feedback
c	2025/07/28	

BUDGET CODE SUB-PROJ.:
YE115_C001

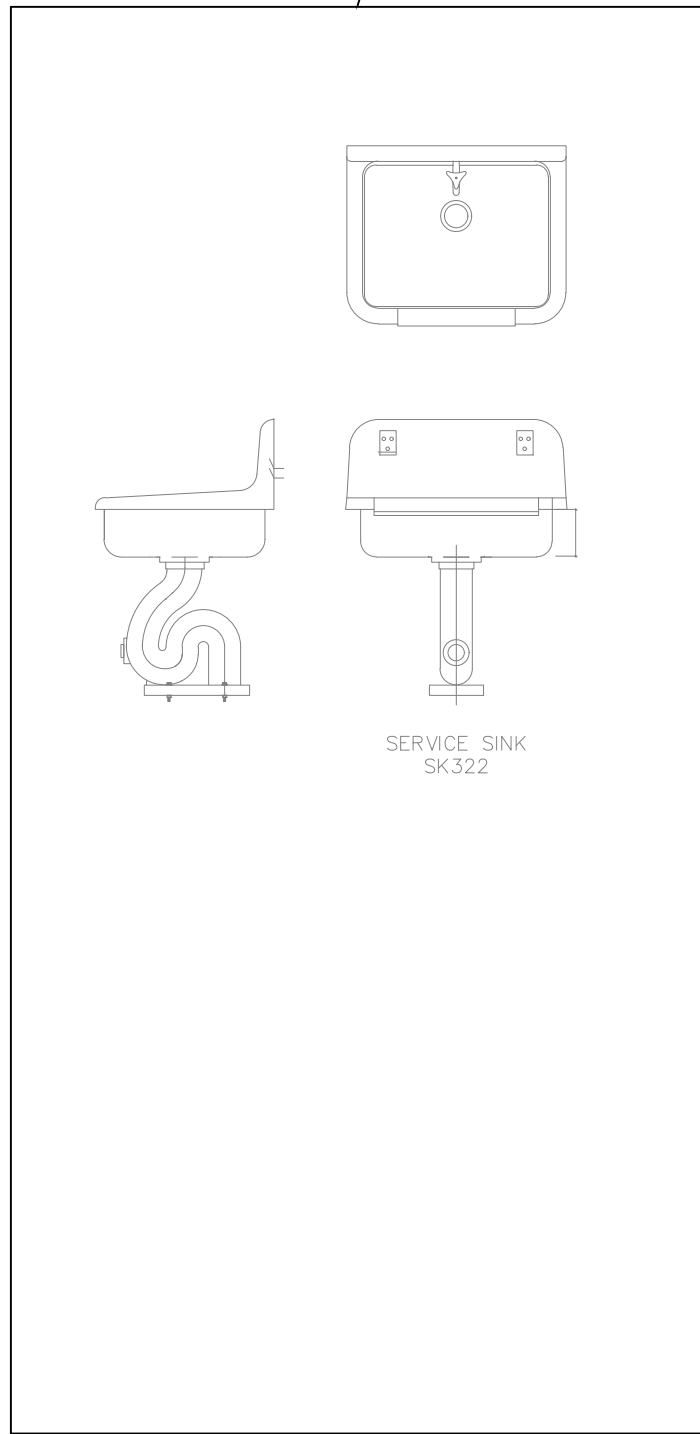
Sheet N° :
1.2

scale :
1:100 sur A3

Date : 03 / 08 / 2025

MEDECINS SANS FRONTIERES - D:\Users\ye115constrmgr\appdata\local\temp\AcPublish_16936\03-Drainage and Water Supply Design, July 28.dwg, 1.3, 03/08/2025 - 15:00

D
-1



SERVICE SINK
SK322



PROJECT TITLE :

**AD DAHI HOSPITAL
- Yemen -**

YE115 C001

BUILDING NAME :

**Laboratory sterilization
and X-Ray**

CODE CAM : CNSTR | HMAT | XXX

DRAWING TITLE :

DETAILS 1

FILE NAME : 03-Drainage and Water Supply Design, July 28.dwg

HQ stamp :



N° Date Issue

- a 2024/12/11 First issue
- b 2024/12/12 2nd Proposal & feedback
- c 2025/07/28

BUDGET CODE SUB-PROJ:
YE115, C001

Sheet N° :

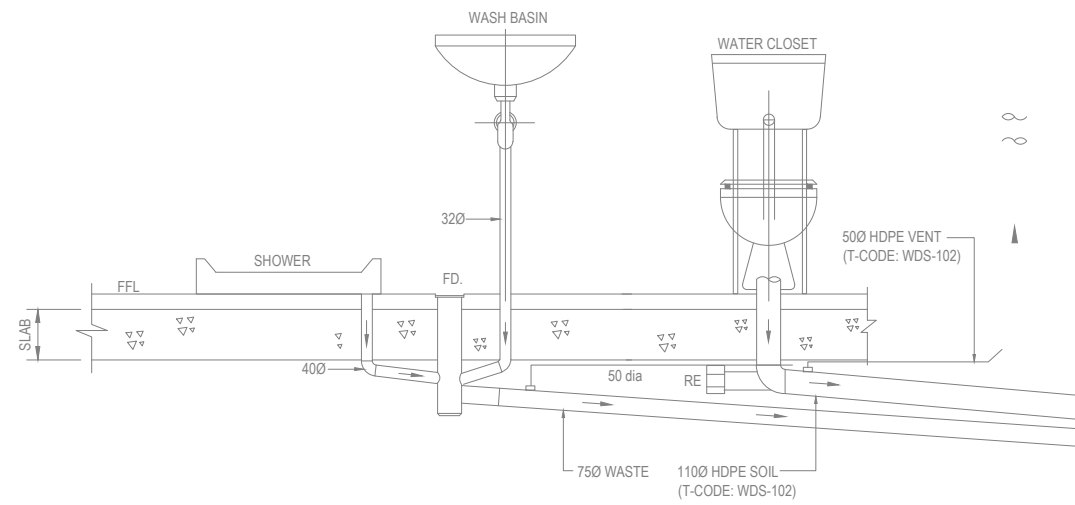
1.3

scale :
1:100 sur A3

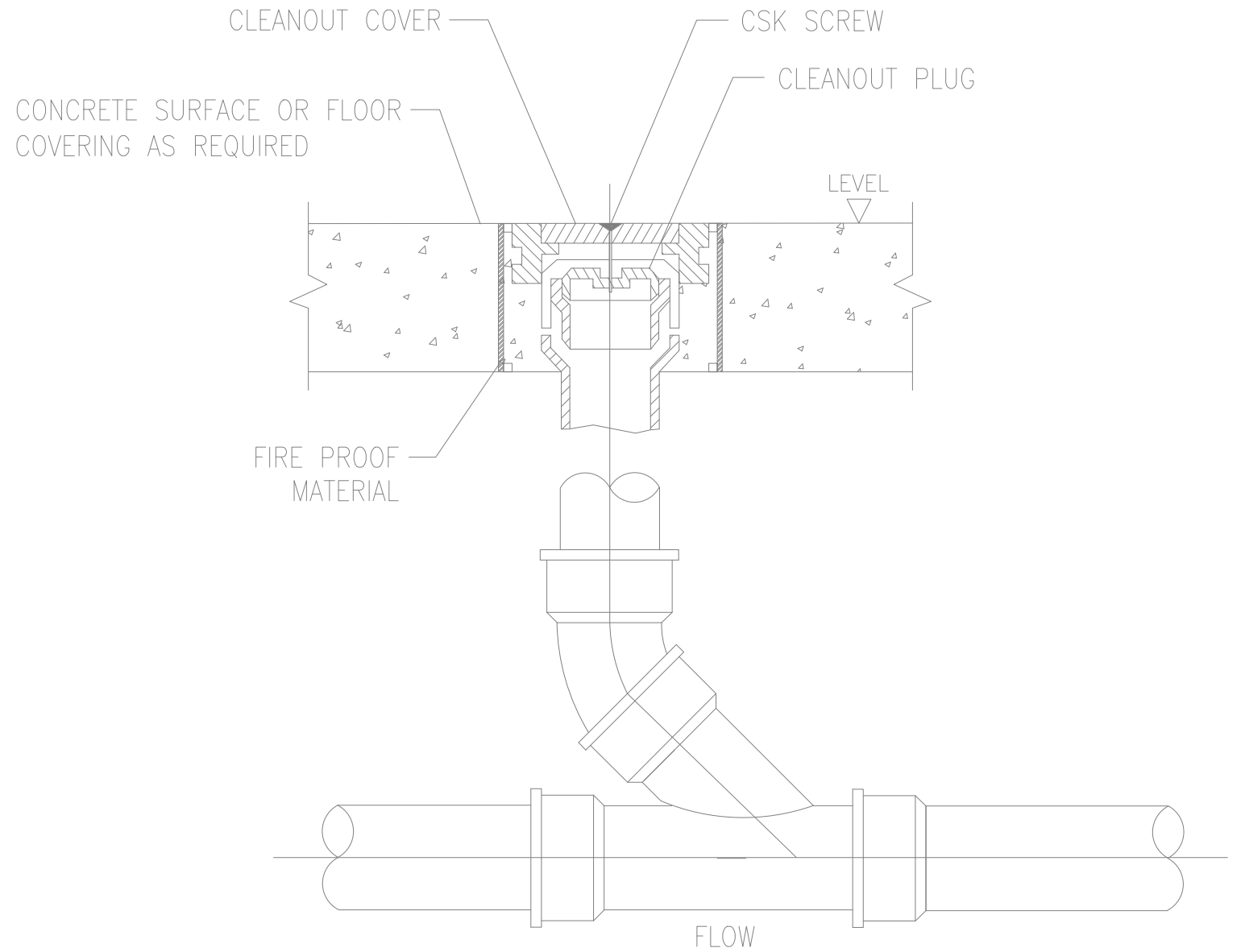
Date : 03 / 08 / 2025

MEDECINS SANS FRONTIERES - D:\Users\ye115constrmgr\appdata\local\temp\AcPublish_16936\03-Drainage and Water Supply Design, July 28.dwg, 1.4, 03/08/2025 - 15:00

NOTE:
 THE SHOWN SANITARY TYPE AND ITS FIXATION DETAIL IS INDICATIVE ONLY.
 REFER TO ARCHITECTURAL DRAWINGS FOR SANITARY DETAILS.
 THIS DETAIL IS MEANT TO SHOW THE PIPE CONNECTION ONLY.



TYP. DRAINAGE CONNECTION DETAIL
 (NOT TO SCALE)



PROJECT TITLE :
**AD DAHI HOSPITAL
 - Yemen -**

YE115 C001
 BUILDING NAME :
**Laboratory sterilization
 and X-Ray**
 CODE CAM : CNSTR | HMAT | XXX

DRAWING TITLE :
DETAILS 2
 FILE NAME : 03-Drainage and Water Supply Design, July 28.dwg

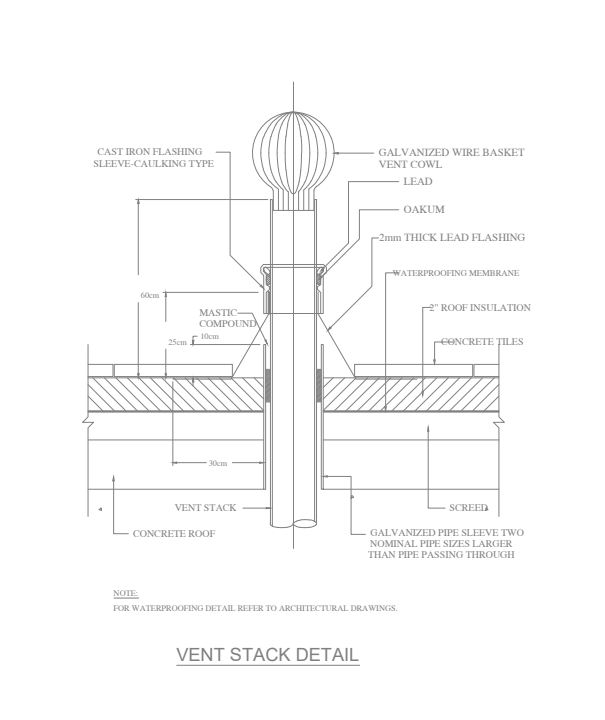
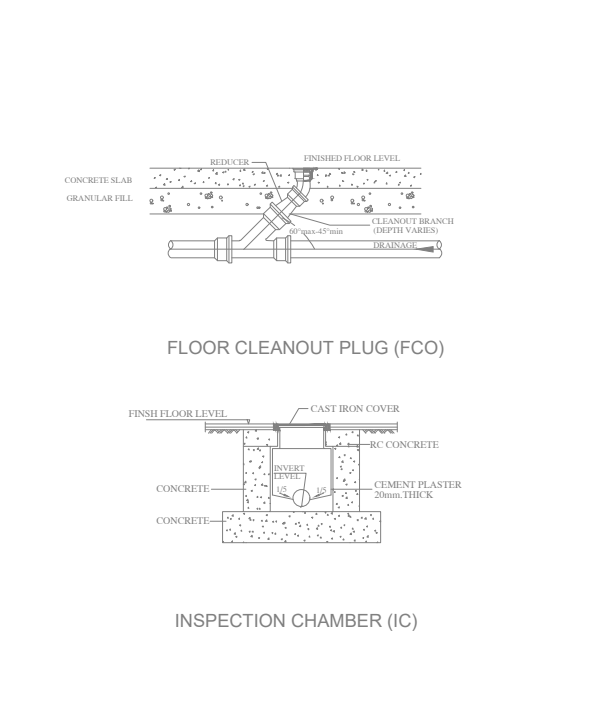
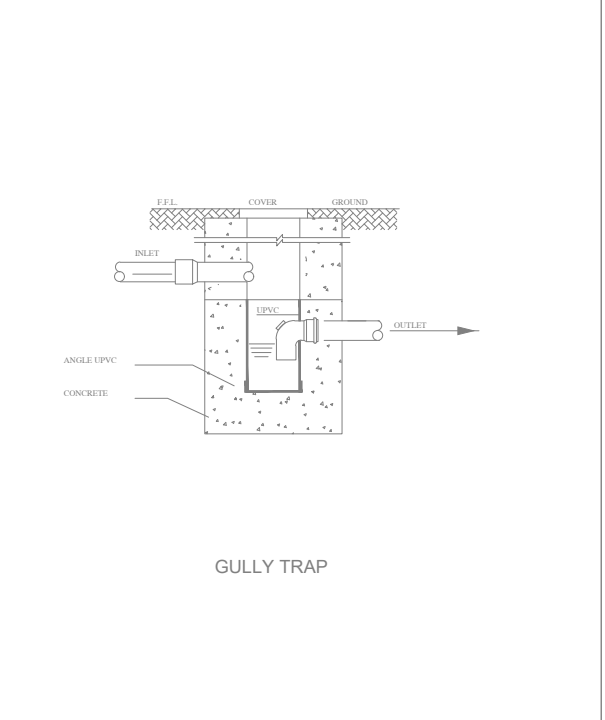
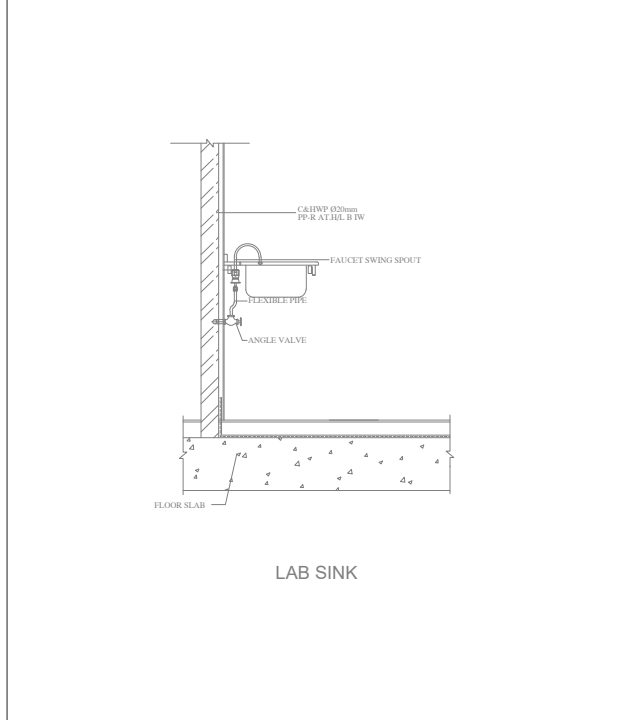
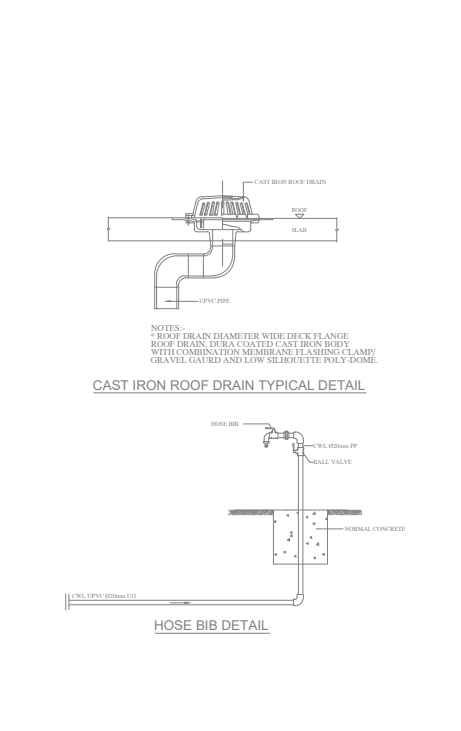
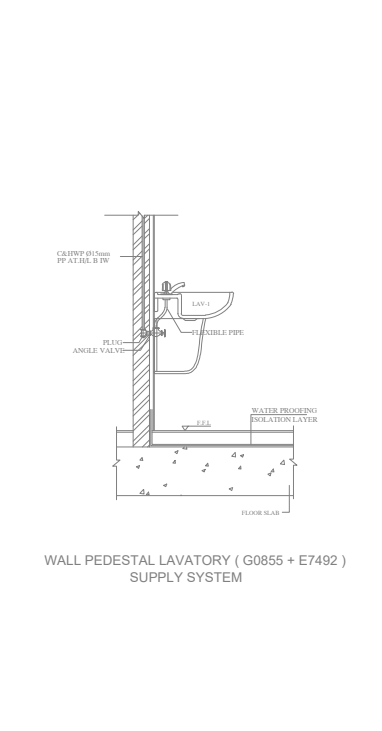
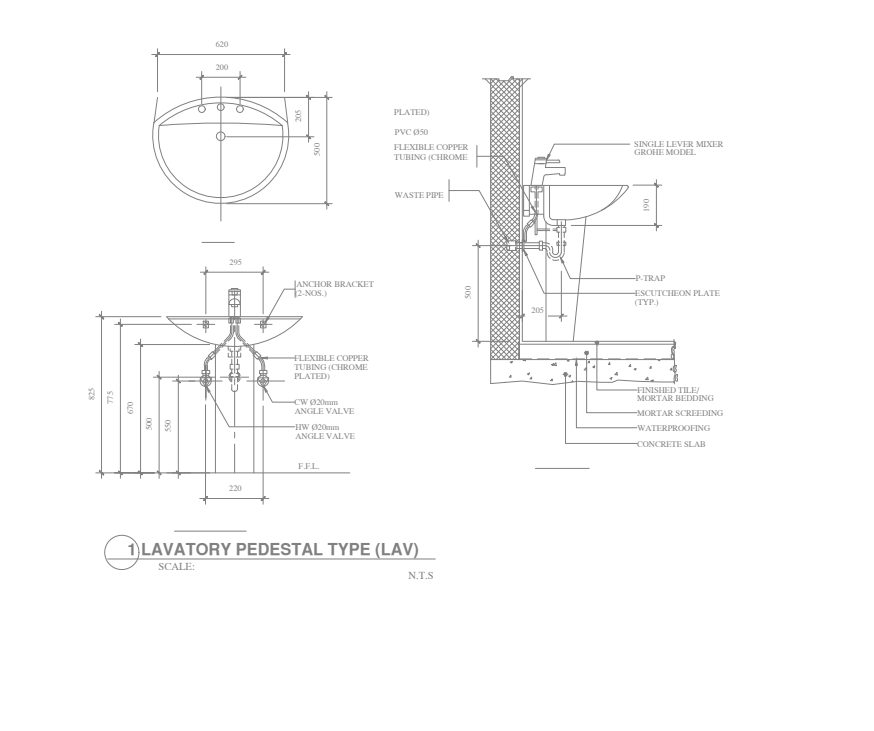
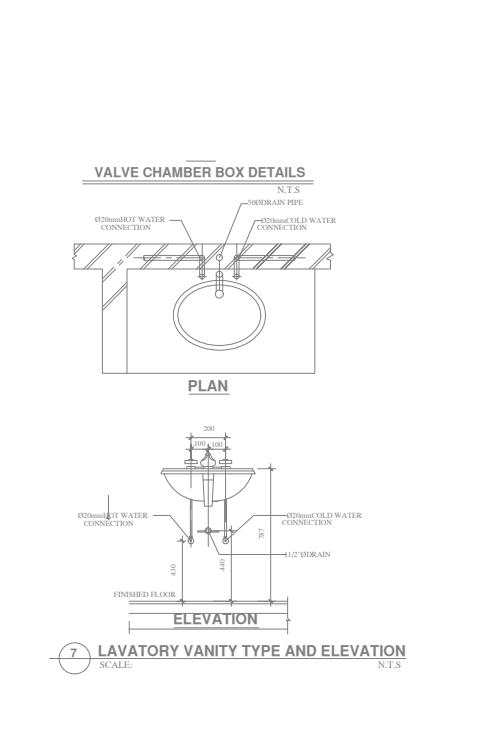
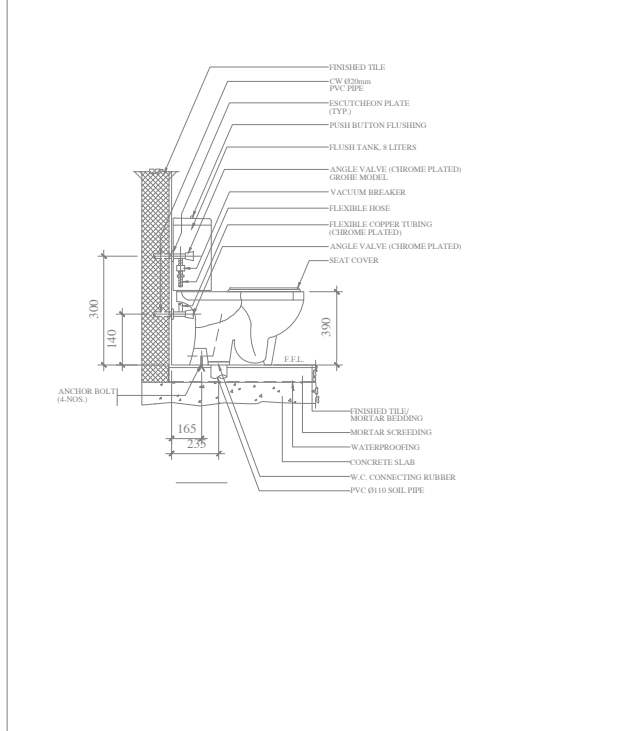
HQ stamp :

N°	Date	Issue
a	2024/12/11	First issue
b	2024/12/12	2nd Proposal & feedback
c	2025/07/28	

BUDGET CODE SUB-PROJ:
YE115, C001

Sheet N° :
1.4
 scale :
1:100 sur A3
 Date : 03 / 08 / 2025

MEDECINS SANS FRONTIERES - D:\Users\ye115constmgr\appdata\local\temp\AcPublish_16936\03-Drainage and Water Supply Design, July 28.dwg, 1.6, 03/08/2025 - 15:00



PROJECT TITLE :
**AD DAHI HOSPITAL
- Yemen -**

BUILDING NAME :
**Laboratory sterilization
and X-Ray**

CODE CAM : CNSTR | HMAT | XXX

DRAWING TITLE :
DETAILS 4

FILE NAME : 03-Drainage and Water Supply Design, July 28.dwg

HQ stamp :
FOR BID ONLY

N° Date Issue
a 2024/12/11 First issue
b 2024/12/12 2nd Proposal & feedback
c 2025/07/28

BUDGET CODE SUB-PROJ:
YE115, C001

Sheet N° :
1.6

scale :
1:100 sur A3

Date : 03 / 08 / 2025