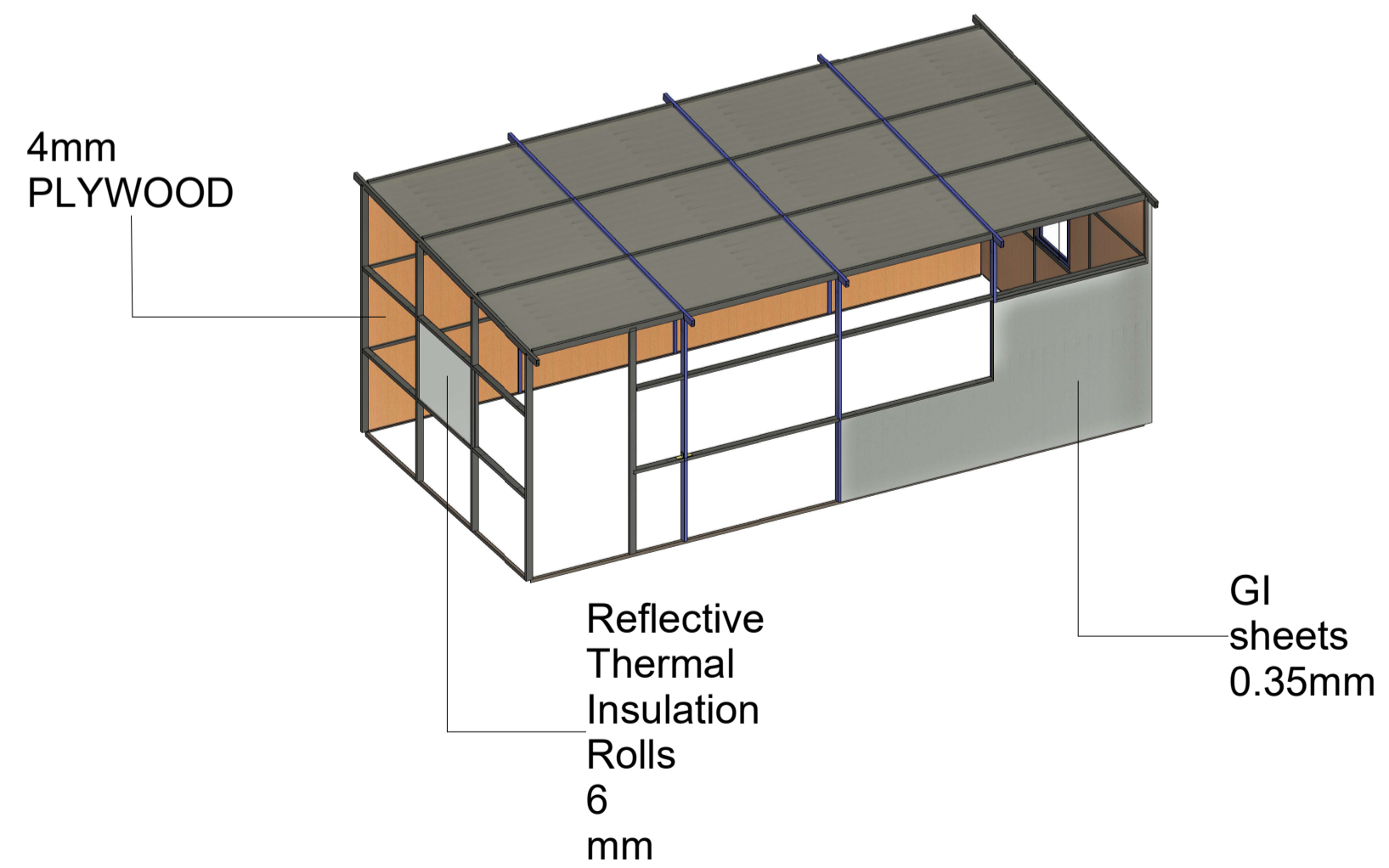
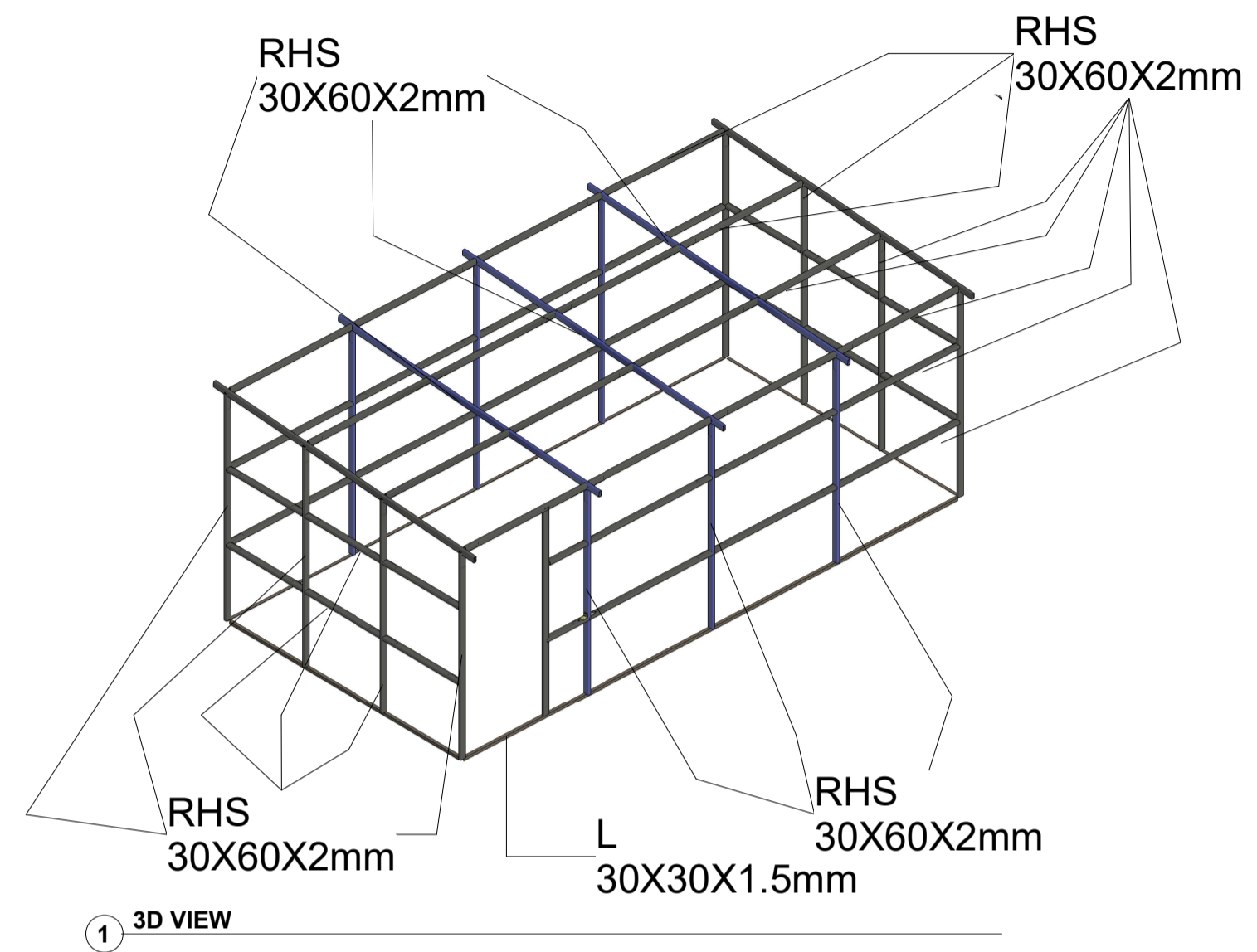
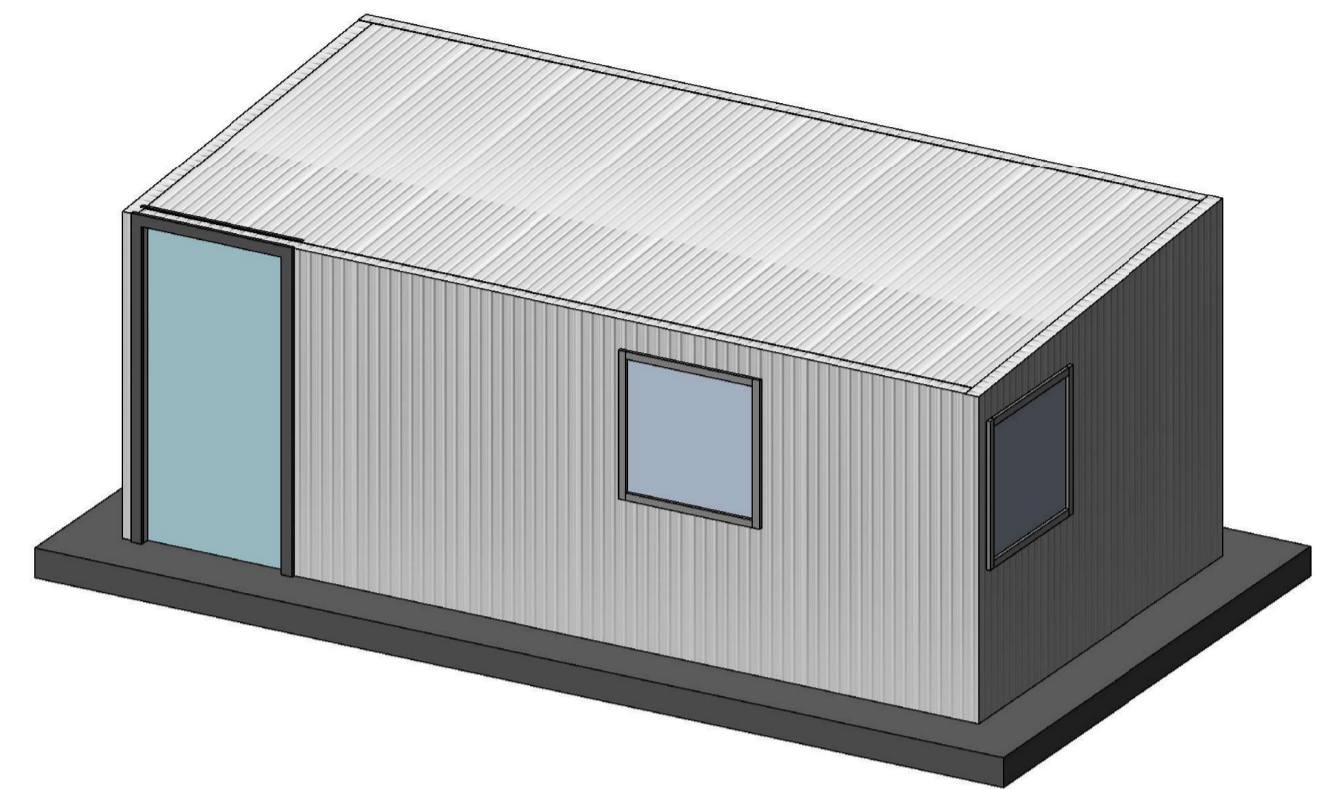


PROJECT
Transitional shelter

TITLE
DIM_FRAME

DRAWING NUMBER
1

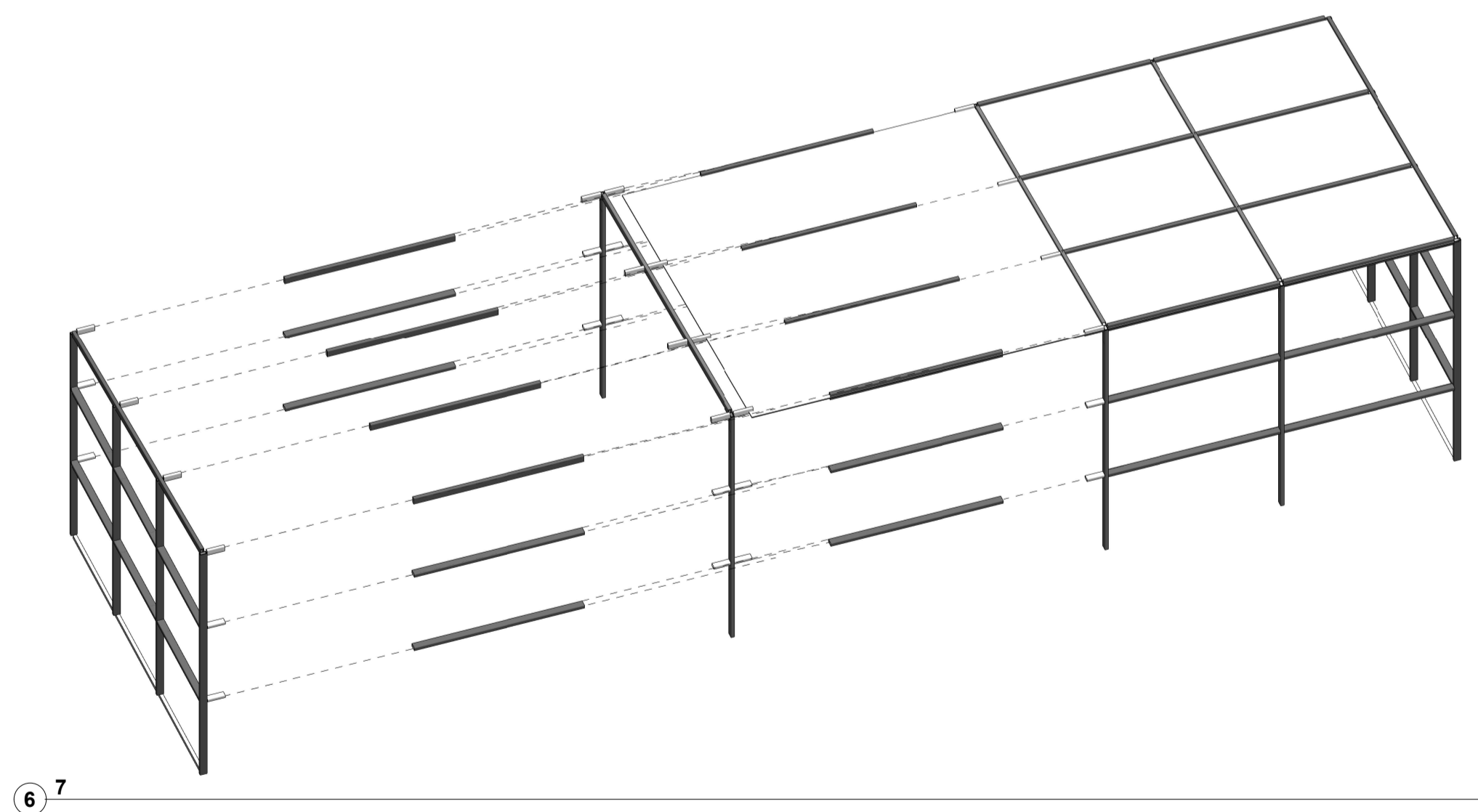
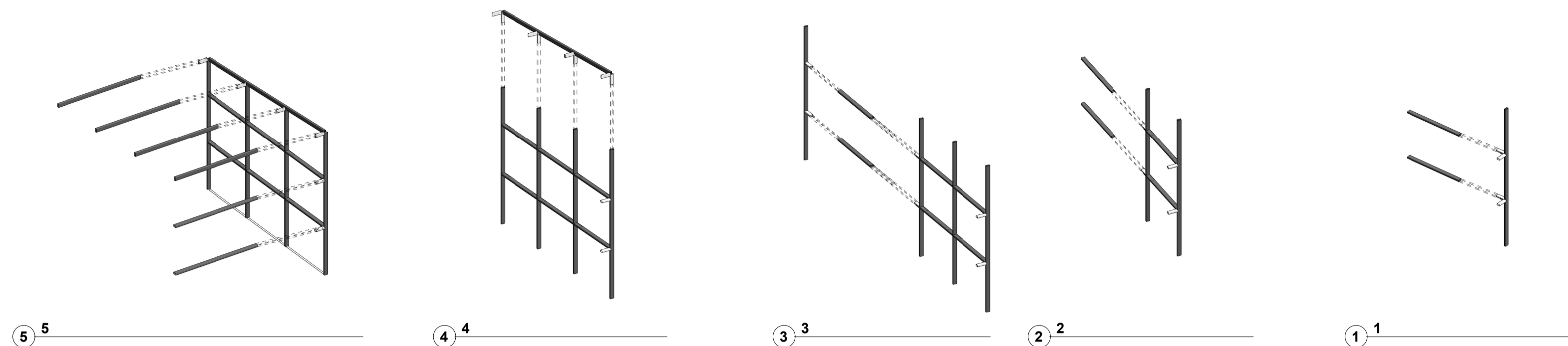


② cladding 3d

PROJECT
Transitional shelter

TITLE
Cladding keynote

DRAWING NUMBER
2



PROJECT

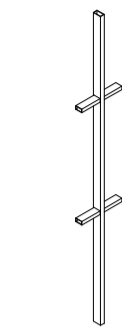
Transitional Shelter

TITLE

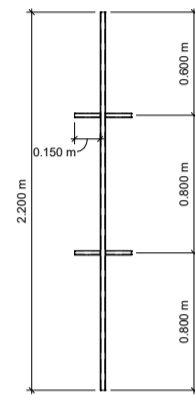
Assembly

DRAWING NUMBER

3



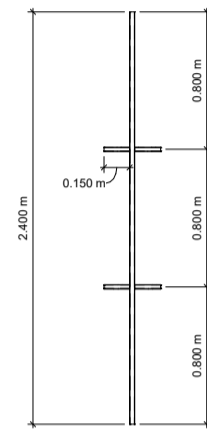
1 3D type 1



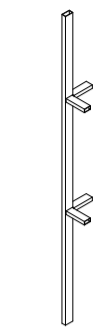
2 Detail type 1
1 : 20



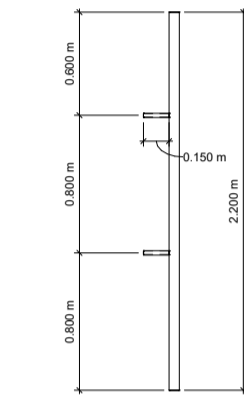
3 3D type 2



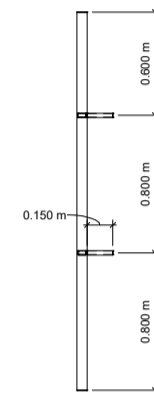
4 Detail type 2
1 : 20



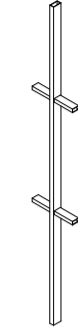
5 3D type 3



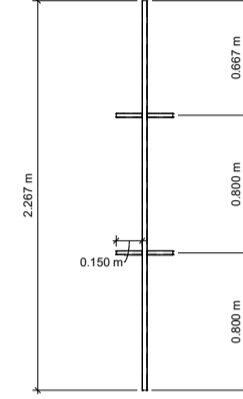
6 Detail type 3
1 : 20



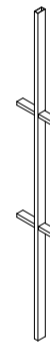
7 Deatail type 3_1
1 : 20



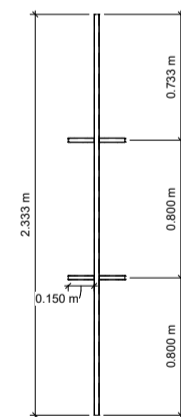
8 3D type 4



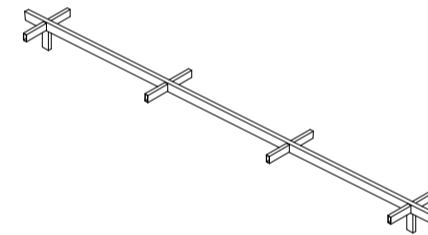
9 Detail type 4
1 : 20



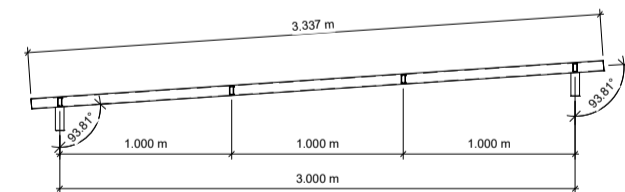
10 3D type 5



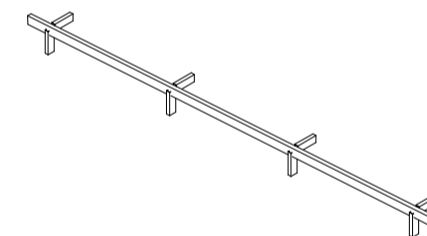
11 Detail type 5
1 : 20



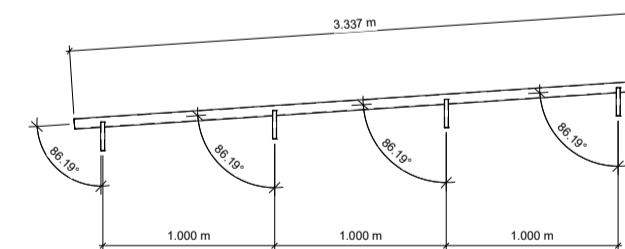
12 3D type 6



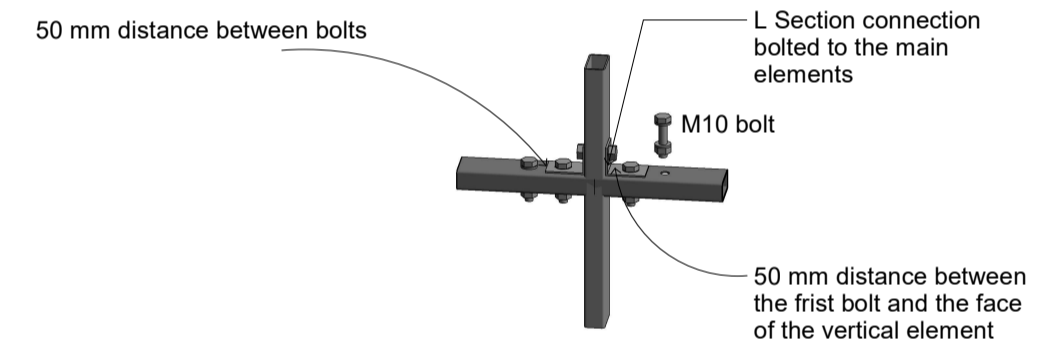
13 Detail type 6
1 : 20



14 3D type 7



15 Detail type 7
1 : 20



16 3d

PROJECT

Transitional shelter

TITLE

types of elements

DRAWING NUMBER

4