





Client name : Concern World wide
Represented By : Francis Nyakoojo

Drawing title : Wash Facility (Toilet Detiles)

LEGEND

-  Cross section
-  Squad latrine
-  Steel door with a frame of 15mm and a thickness 1.25mm, with handle and locks
-  Multi-purpose plastic shelf
Toothbrush - soap

Drawing Subtitle : Collection Chamber Details
Purpose of issue : Final Draft
Time of Completion : 28 Dec 2023

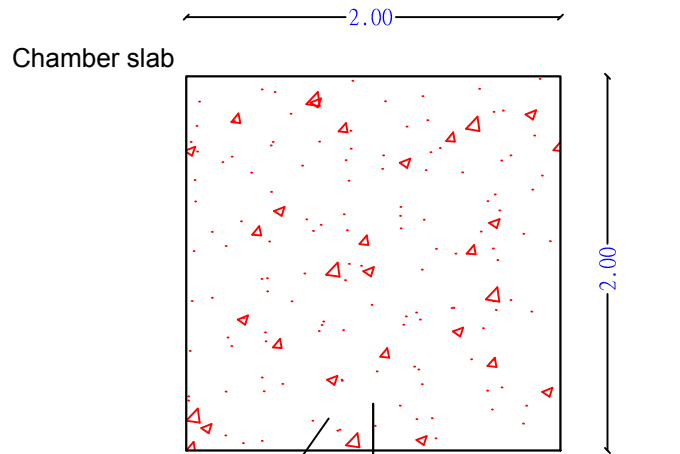
Water Consults Team

Designed BY	MJ And O.Y
Checked BY	A.H.
APPROVED BY	EJ.

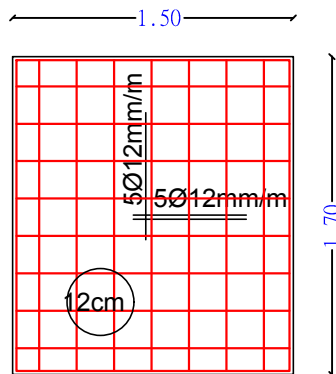
Date : 28 Dec 2023	Project No / Code : CWW-YEM
Page size : A4 page# : 2	Scale : To Fit Unit :Meter



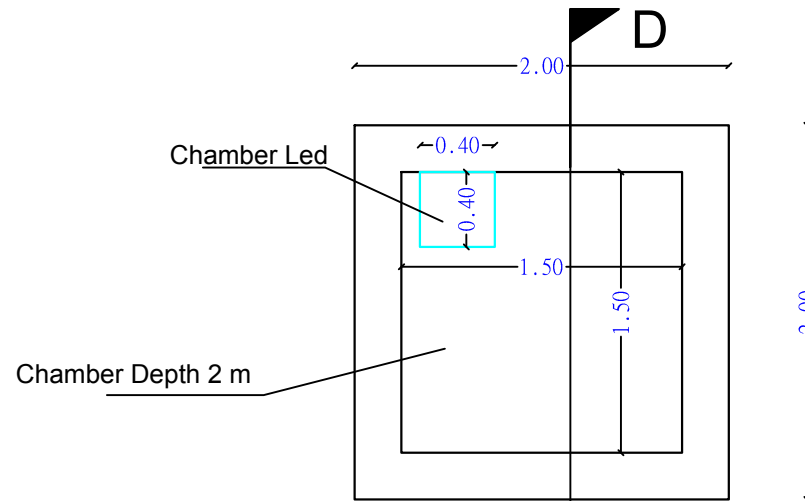
Notes : Drawing plotted and issued for client final review.



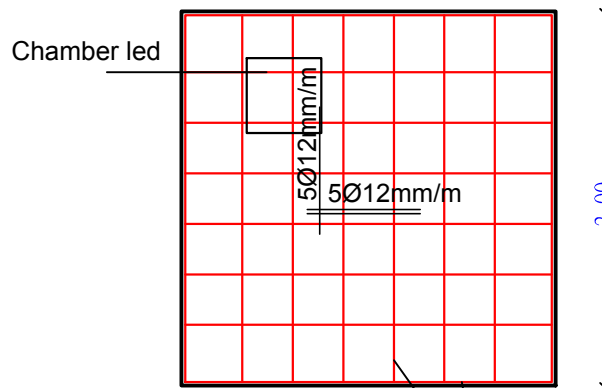
Chamber slab view



Slab section slab



Chamber plan



Rebar details 12Ø5mm/m

CLIENT

LEGEND

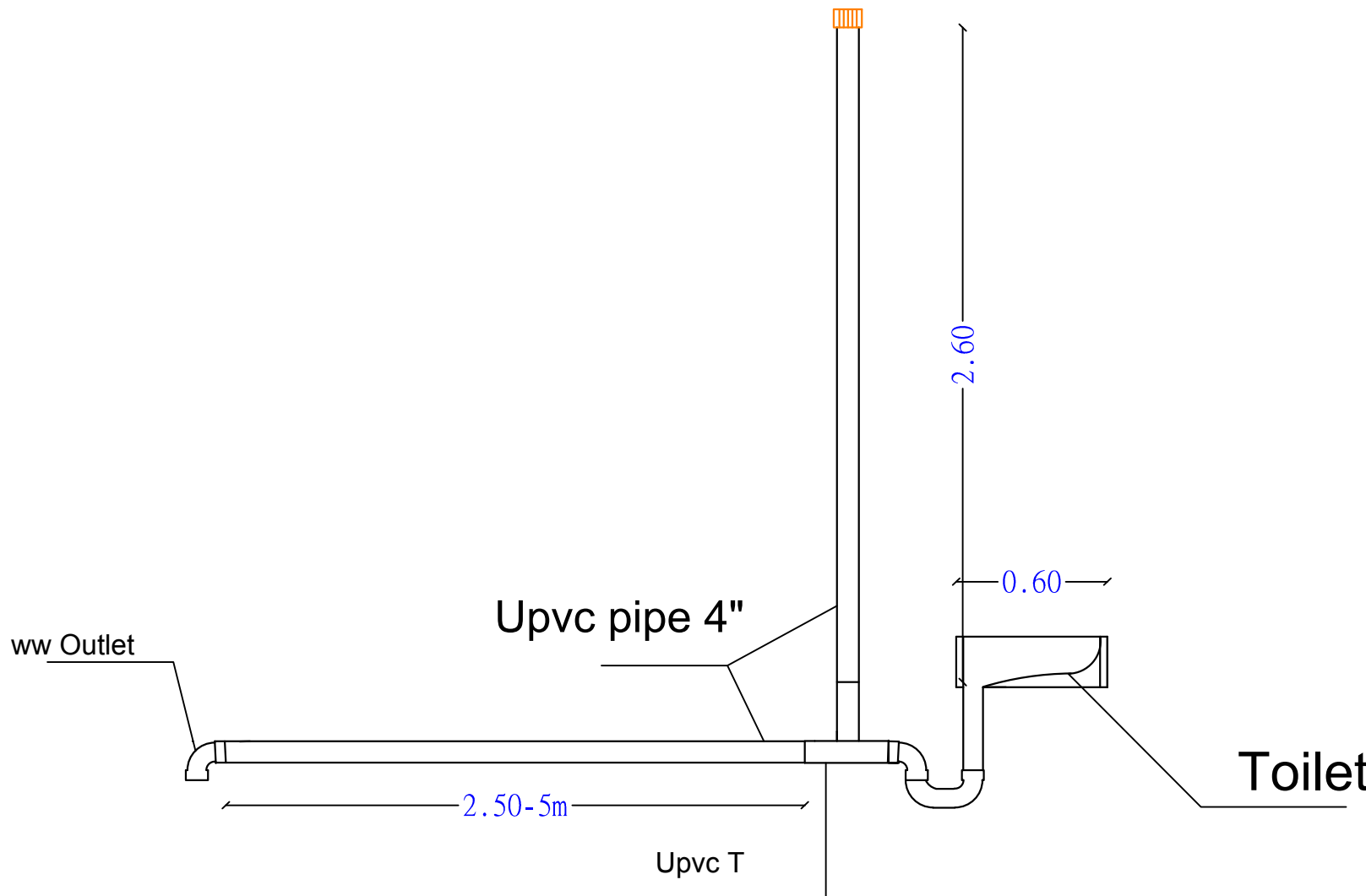
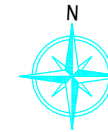
PROJECT INFO

WORK TEAM

INFO

CONSULTANT

NOTES



Plumbing Works Details






CLIENT

Client name : Concern World wide
Represented By : Francis Nyakoojo

Drawing title : Wash Facility (Toilet Detiles)

LEGEND

LEGEND

- D Cross section
-  Squad latrine
-  Steel door with a frame of 15mm and a thickness 1.25mm, with handle and locks
-  Multi-purpose plastic shelf
Toothbrush - soap

PROJECT INFO

Drawing Subtitle : Plumbing Works Details
Purpose of issue : Final Draft
Time of Completion : 28 Dec 2023

WORK TEAM

Water Consults Team

Designed BY	MJ And O.Y
Checked BY	A.H.
APPROVED BY	EJ.

INFO

Date : 28 Dec 2023 Project No / Code. : CWW-YEM
Page size : A4 Scale : To Fit Unit :Meter
page# : 5

CONSULTANT






NOTES

Notes : Drawing plotted and issued for client final review.

Client name : Concern World wide
Represented By : Francis Nyakoojo

Drawing title : Wash Facility (Toilet Detiles)

LEGEND

- D Cross section
-  Squad latrine
-  Steel door with a frame of 15mm and a thickness 1.25mm, with handle and locks
-  Multi-purpose plastic shelf
Toothbrush - soap

Drawing Subtitle : Connection Section Details
Purpose of issue : Final Draft
Time of Completion : 28 Dec 2023

Water Consults Team

Designed BY	MJ And O.Y
Checked BY	A.H.
APPROVED BY	EJ.

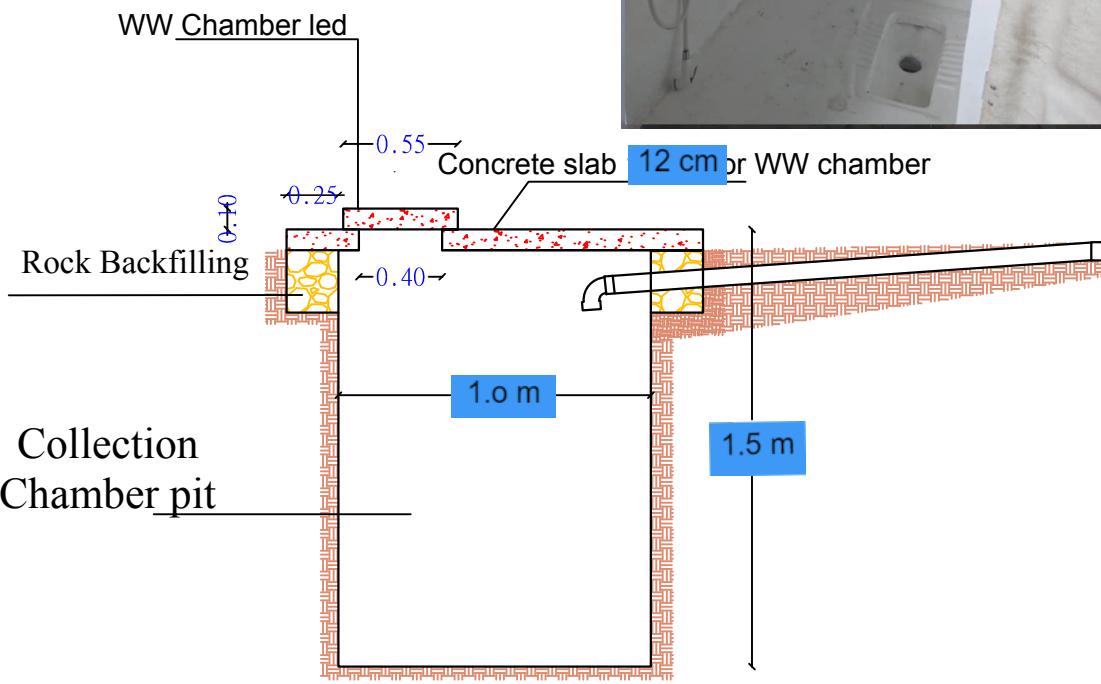
Date : 28 Dec 2023 Project No / Code : CWW-YEM
Page size : A4 Scale : To Fit Unit :Meter
page# : 6



Notes : Drawing plotted and issued for client final review.



Section view



Section view D-D

CLIENT
LEGEND
PROJECT INFO
WORK TEAM
INFO
CONSULTANT
NOTES