



مشروع تعزيز المرونة المؤسسية والإقتصادية في اليمن
Strengthening Institutional & Economic Resilience in Yemen
(SIERY)

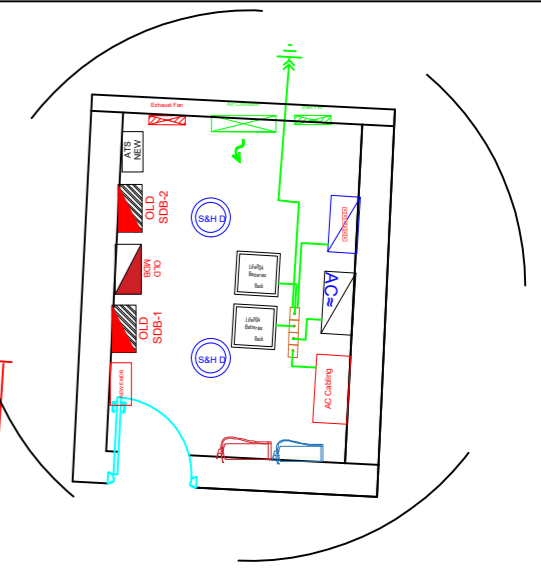
توريد وتركيب منظومات طاقة شمسية لمدارس في عدن

Supply & Install Solar System for Schools in Aden

ELECTRICAL DRAWINGS

DRAWING LIST:-

NO	DRAWING TITLE
S1 - 01	Floors Layout
S1 - 02	Batteries Room
S1 - 03	PV Distribution
S1 - 04	Lightening&grounding Protection Layout
S1 - 05	Lightening&grounding Protection Details
S1 - 06	New E MDB Single line Diagram
S1 - 07	New A\C Sub Single line Diagram
S1 - 08	Existed MDB Layout
S1 - 09	PV System Single Line Diagram



SYMBOL	DESCRIPTION
	OLD DISTRIBUTION BOARD.
	EMERGENCY MAIN DISTRIBUTION BOARD.
	WALL MOUNTED STREET LIGHT FIXTURE
	NEW AUTOMATIC TRANSFER SWITCH.
	NEW AC SDB FOR HEAVY LOAD
	OLD MDB DISTRIBUTION BOARD.
	NEW DISTRIBUTION BOARD.



Supply & Install Solar System for Schools in Aden

توريد وتركيب منظومات طاقة شمسية
لمدارس في عدن

مساقط الأدوار
Floors Layout

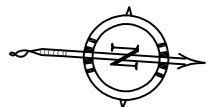
روضة الامل

مسقط افقي

S1 - 01

sheet
اسم اللوحة

Sheet No
رقم اللوحة





Supply & Install Solar System for
Schools in Aden

توريد وتركيب منظومات طاقة شمسية
لمدارس في عدن

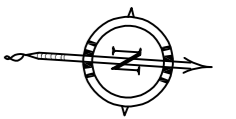
توزيع الألواح الشمسية
PV DISTRIBUTION

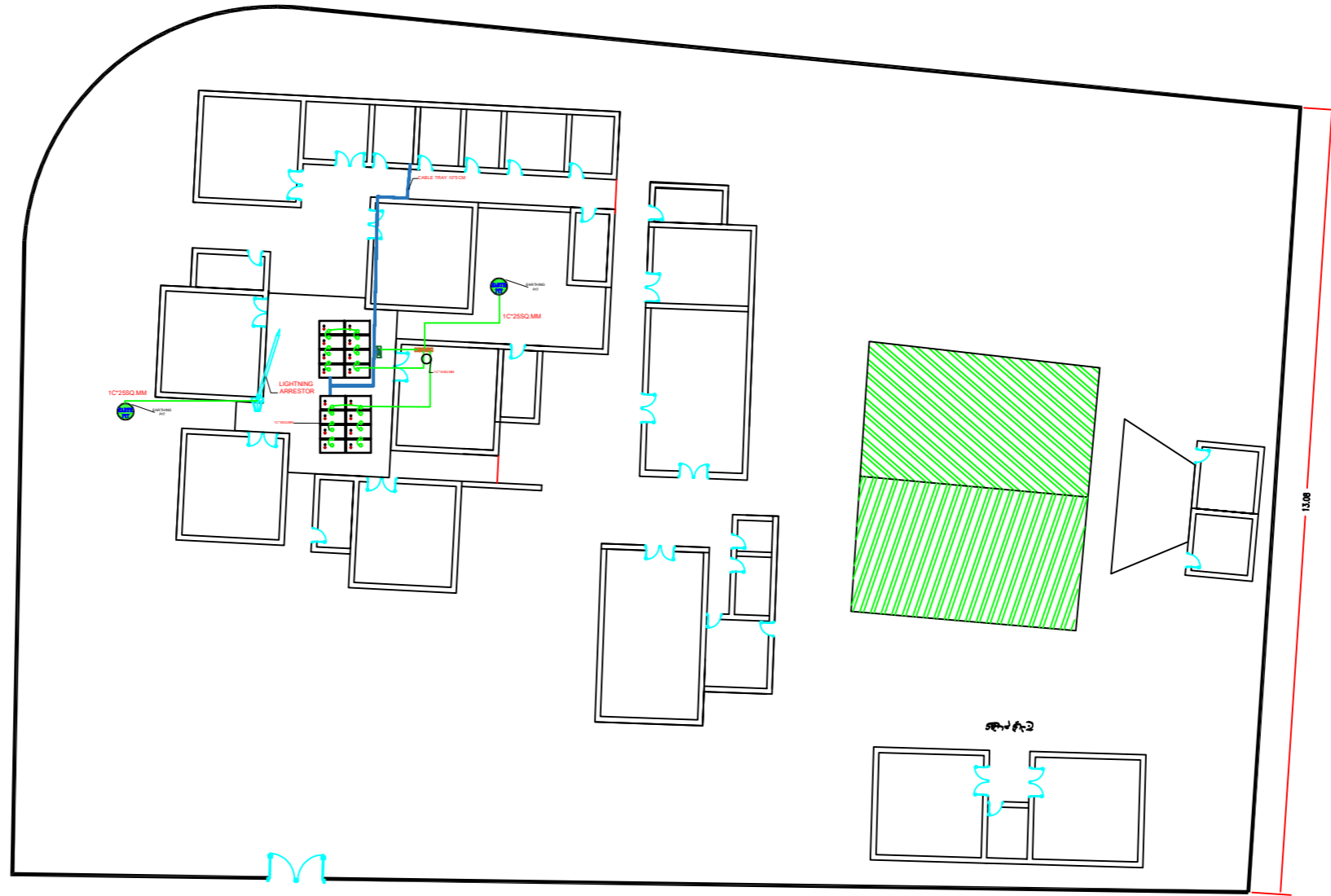
روضة الأمل

S1 - 03

sheet
اسم اللوحة

Sheet No
رقم اللوحة





Supply & Install Solar System for
Schools in Aden

توريد وتركيب منظومات طاقة شمسية
لمدارس في عدن

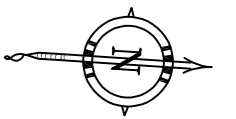
نظام الحماية من الصواعق
والتأريض
Lightning & grounding
Protection Layout

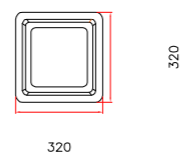
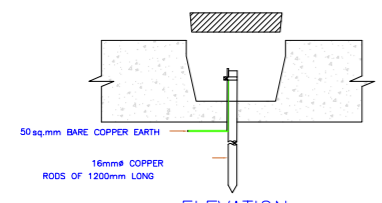
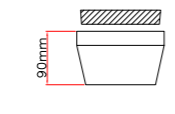
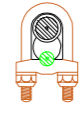
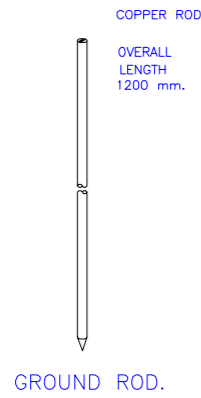
روضة الامل

S1 - 04

sheet
اسم اللوحة

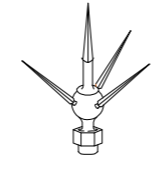
Sheet No
رقم اللوحة





EARTHING PIT DETAILS

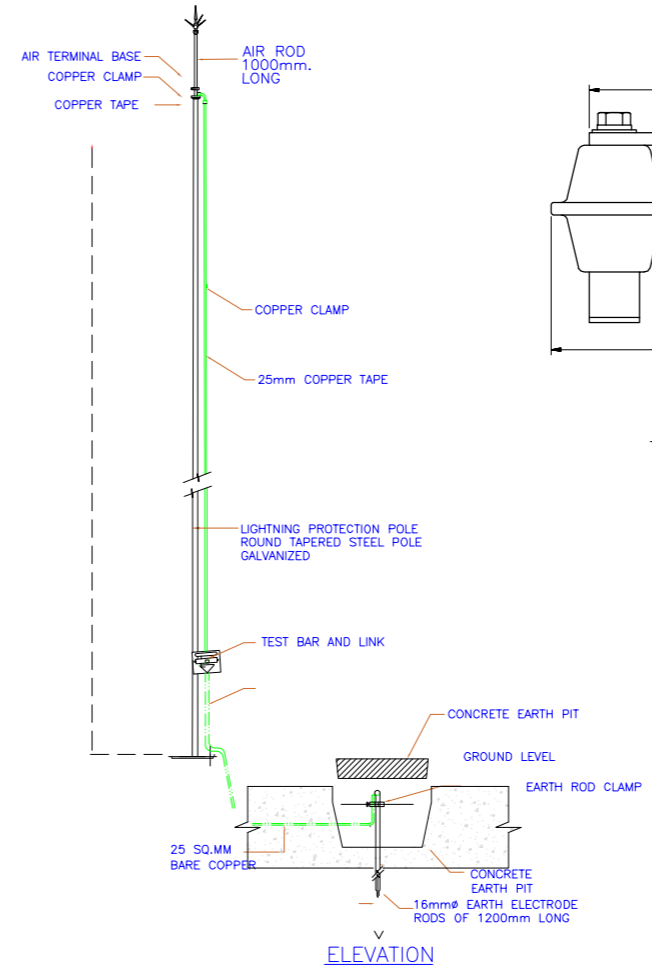
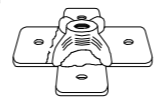
AIR TERMINAL TIP



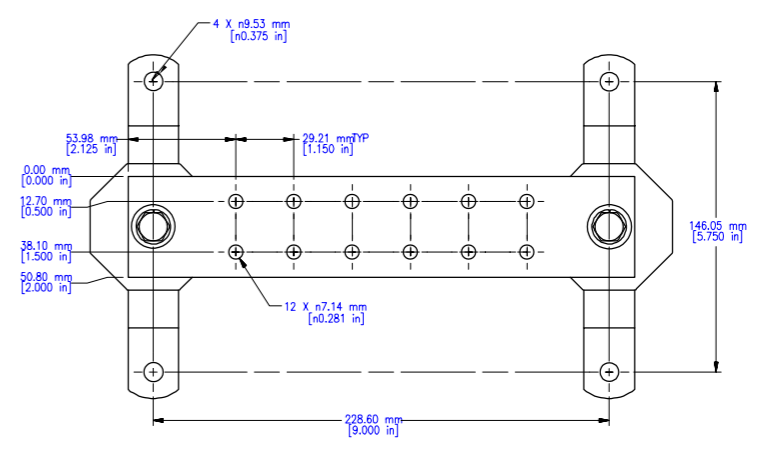
AIR TERMINAL



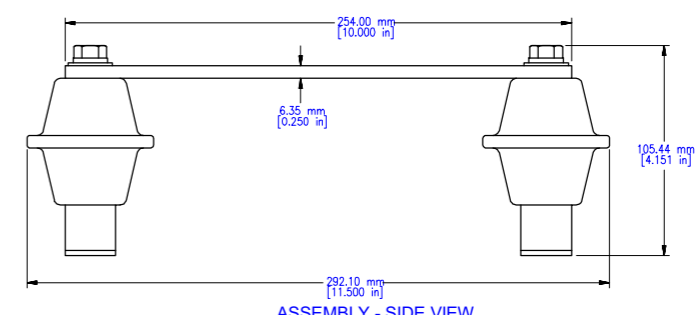
AIR TERMINAL SADDLE



LIGHTNING PROTECTION SYSTEM



ASSEMBLY - TOP VIEW



ASSEMBLY - SIDE VIEW

EARTHING BUSBAR



Supply & Install Solar System for Schools in Aden

توريد وتركيب منظومات طاقة شمسية لمدارس في عدن

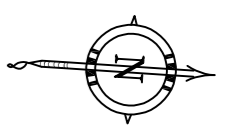
تفاصيل نظام الحماية من الصواعق والتأريض
Lightning & grounding Protection Details

روضة الامل

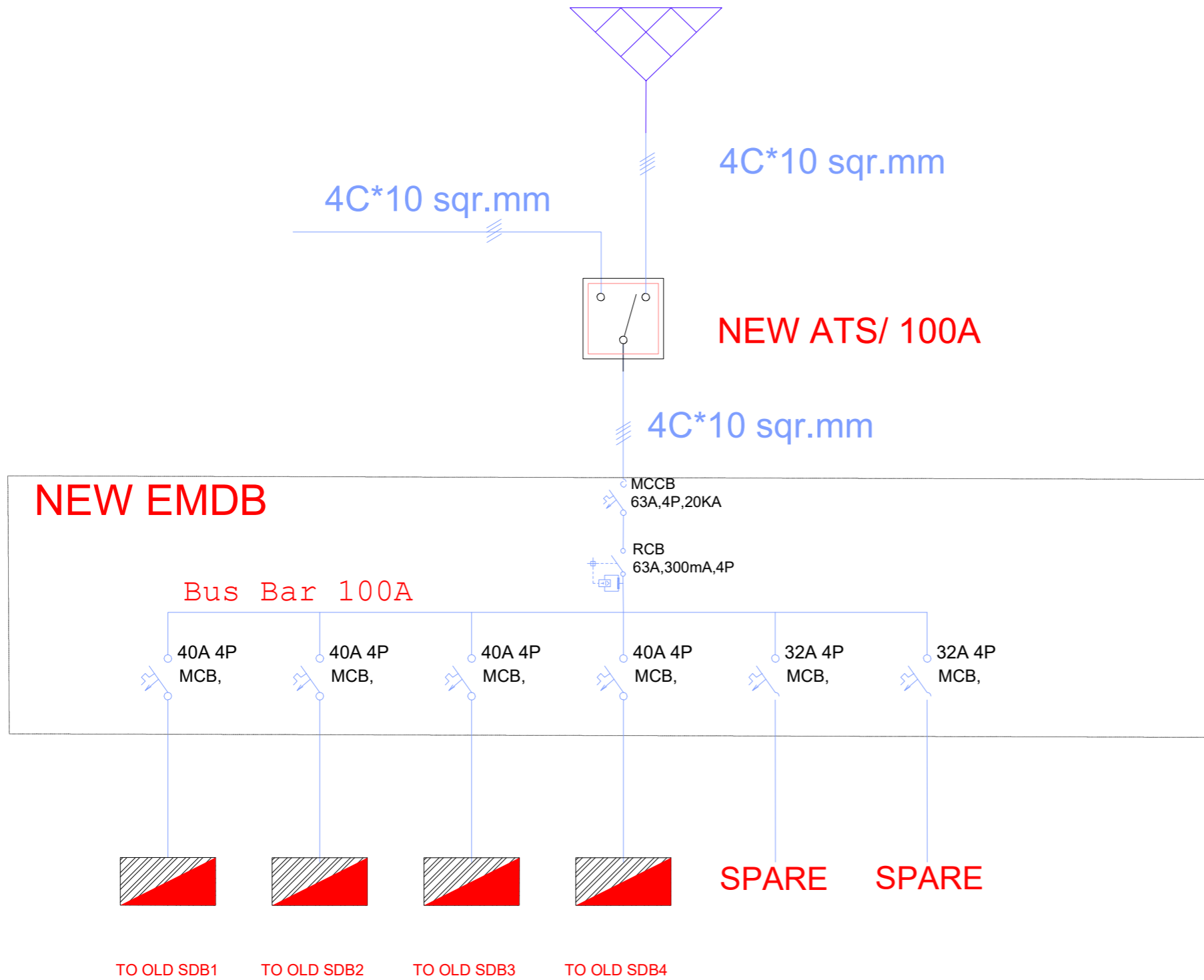
sheet اسم اللوحة

S1 - 05

Sheet No رقم اللوحة



Utility grid



SYMBOL	DESCRIPTION
	AUTOMATIC TRANSFER SWITCH
	SURGE ARRESTER
	CIRCUIT BREAKER (MCCB/MCB)
	CIRCUIT BREAKER (RCB)
	AC FUSE



Supply & Install Solar System for Schools in Aden

توريد وتركيب منظومات طاقة شمسية لمدارس في عدن

مخطط لوحة التوزيع الجديد

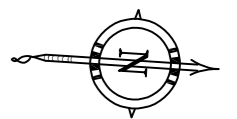
NEW EMDB SINGLE LINE DIAGRAM

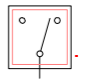
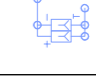
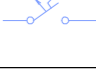


روضة الامل

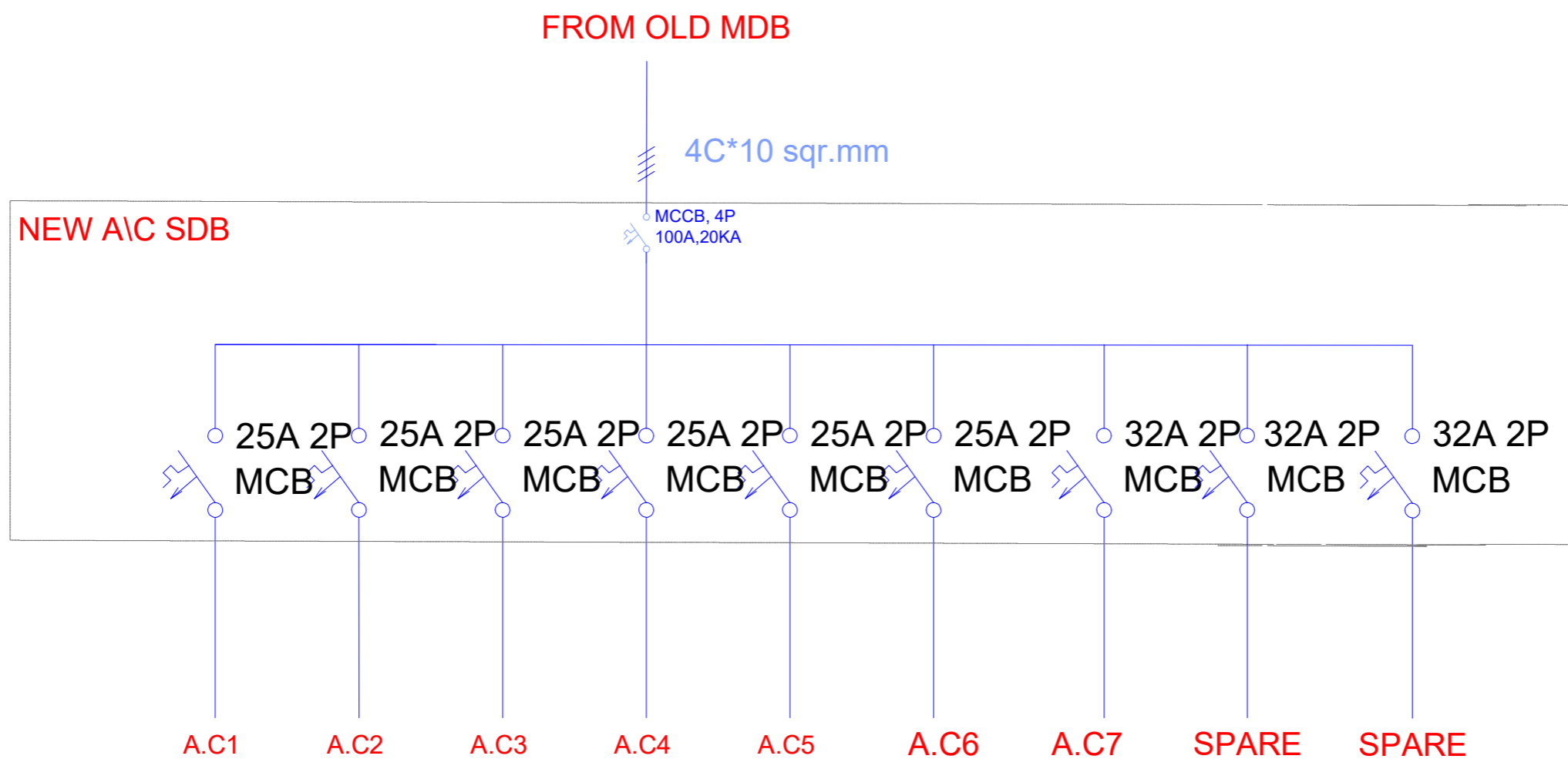
S1 - 06

sheet
اسم اللوحة

Sheet No
رقم اللوحة



SYMBOL	DESCRIPTION
	MANUAL TRANSFER SWITCH
	SURGE ARRESTER
	CIRCUIT BREAKER (MCCB/MCB)
	CIRCUIT BREAKER (RCB)
	AC FUSE



Supply & Install Solar System for
Schools in Aden

توريد وتركيب منظومات طاقة شمسية
لمدارس في عدن

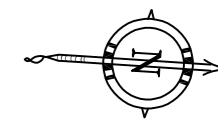
مخطط لوحة توزيع المكيفات
الجديده الفرعية
**NEW A/C SUB SINGLE
LINE DIAGRAM**

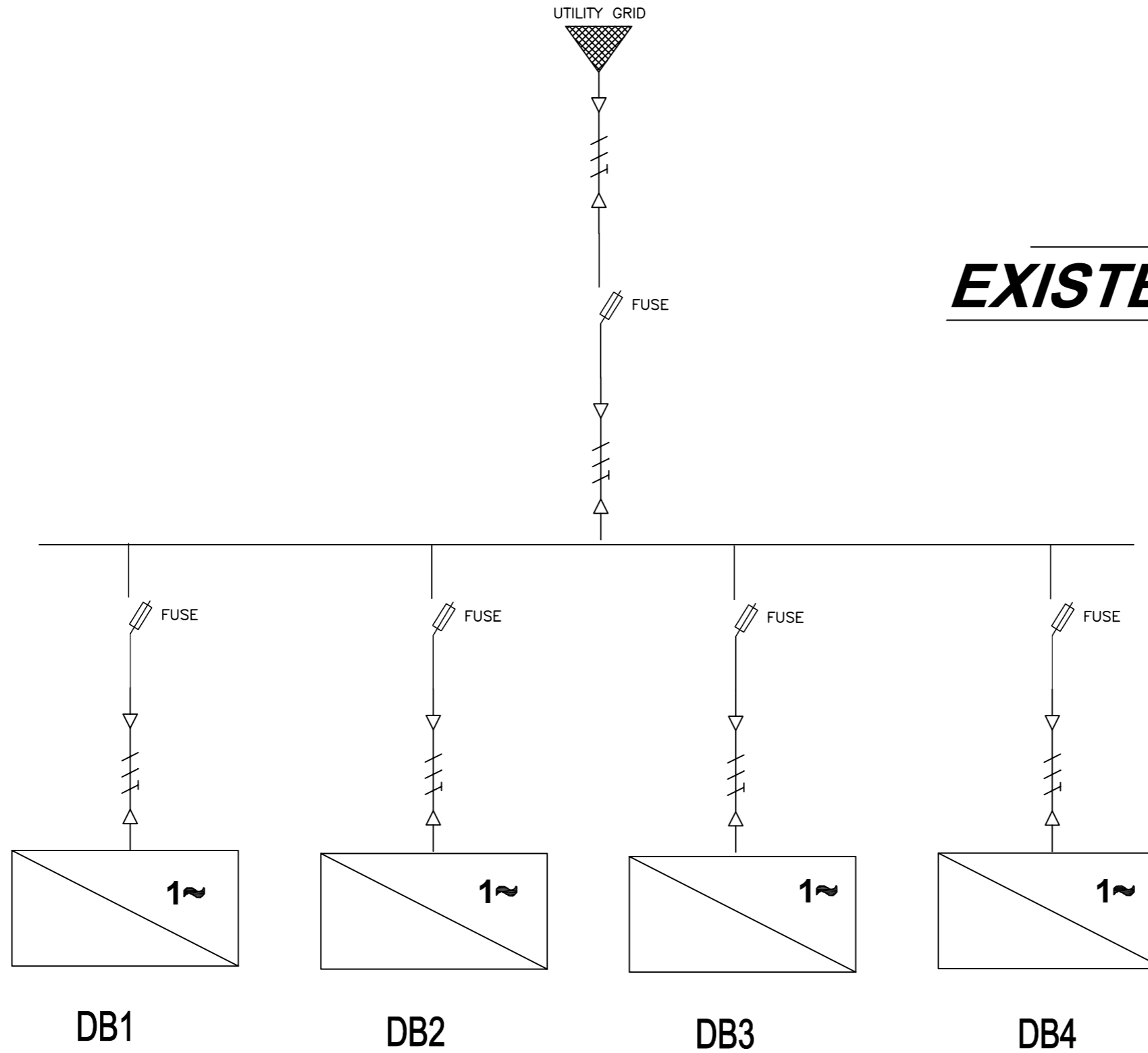
روضة الامل

sheet
اسم اللوحة

Sheet No
رقم اللوحة

S1 - 07





EXISTED MDB LAYOUT



Supply & Install Solar System for
Schools in Aden

توريد وتركيب منظومات طاقة شمسية
لمدارس في عدن

مخطط لوحة توزيع الحالية

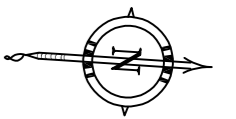
Existed MDB Layout

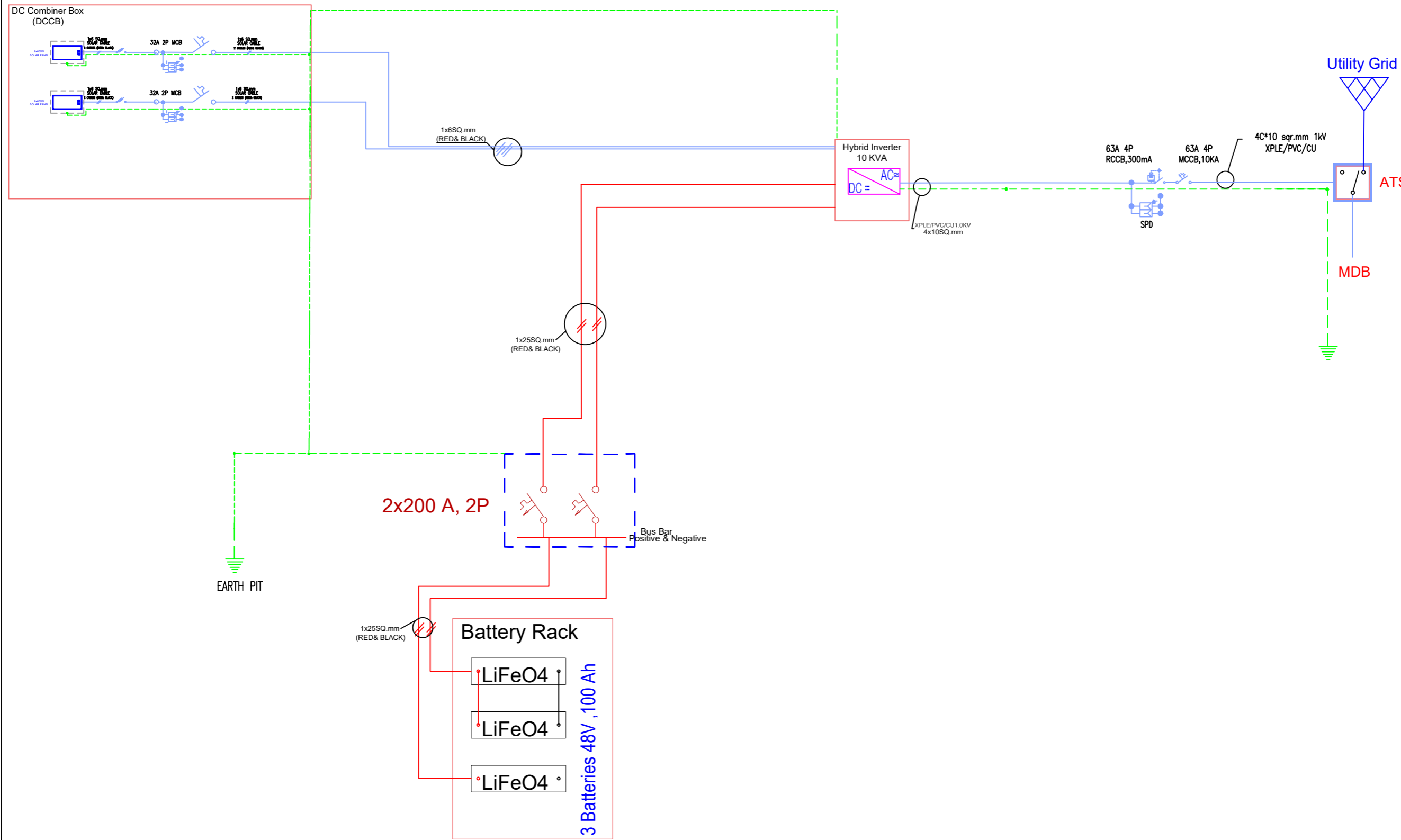
روضة الامل

sheet
اسم اللوحة

S1 - 08

Sheet No
رقم اللوحة





SYMBOL	DESCRIPTION
	PHOTOVOLTAIC MODULE
	HYBRID INVERTER
	ATUO TRANSFER SWICH
	SURGE ARRESTER
	CIRCUIT BREAKER (MCB)
	CIRCUIT BREAKER (MCCB)
	CIRCUIT BREAKER (RCCB)
	DC FUSE



Supply & Install Solar System for Schools in Aden

توريد وتركيب منظومات طاقة شمسية لمدارس في عدن

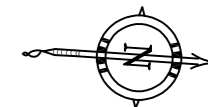
مخطط النظام الشمسي
PV Sysetm Single Line Diagram

روضة الامل

S1 - 09

sheet
اسم اللوحة

Sheet No
رقم اللوحة



STRUCTURE DRAWINGS

DRAWING LIST:-

NO	DRAWING TITLE
S2 - 01	Main Notes
S2 - 02	8 PANELS 3D SCHEME.
S2 - 03	MOUNTING STRUCTURE SIDE VIEW.
S2 - 04	COLUMN BASE PLATE
S2 - 05	BEAMS PLAN DETAILS.
S2 - 06	CONCRETE, CONNECTION AND BASE PLATES DETAILS A.
S2 - 07	CONCRETE, CONNECTION AND BASE PLATES DETAILS B.

GENERAL

G .1THESE DRAWINGS SHALL BE READ IN CONJUNCTION WITH ALL ARCHITECTURAL , ELECTRICAL ,MECHANICAL ,OTHER CONTRACT DRAWINGS ,SPECIFICATIONS AND WITH SUCH OTHER WRITTEN INSTRUCTIONS AS MAY BE ISSUED DURING THE COURSE OF THE CONTRACT . ANY DISCREPANCY SHALL BE REFERRED TO THE SUPERINTENDENT FOR DECISION BEFORE PROCEEDING WITH THE WORK .

G .2DIMENSIONS ARE AS SHOWN . DIMENSIONS SHALL NOT BE OBTAINED BY SCALING THE STRUCTURAL DRAWINGS.

G .3SETTING OUT DIMENSIONS SHOWN ON THE DRAWINGS SHALL BE VERIFIED BY THE CONTRACTOR.

G .4DURING CONSTRUCTION THE STRUCTURE WILL BE MAINTAINED IN A STABLE CONDITION AND NO PART SHALL BE OVERSTRESSED .TEMPORARY BRACING SHALL BE PROVIDED BY THE CONTRACTOR AS REQUIRED.

G .5ALL WORKMANSHIP AND MATERIALS SHALL BE IN ACCORDANCE WITH THE REQUIREMENTS OF THE STATED CODES AND THE BY-LAWS AND ORDINANCES OF THE RELEVANT BUILDING AUTHORITIES.

G .6THE STRUCTURAL WORK SHOWN ON THESE DRAWINGS HAS BEEN DESIGNED

FOR THE FOLLOWING LOAD

- MINIMUM LIVE LOADS.
- WIND LOAD 0.777KN/m.2
- SELF WEIGHT.

G .7 REFER TO STRUCTURAL DRAWINGS FOR THE DIFFERENT CONSTRUCTION MATERIALS TO BE USED IN THE PROJECT.

STRUCTURE

S .1ALL WORKMANSHIP AND MATERIALS SHALL BE IN ACCORDANCE WITH THE SPECIFICATION AND FOLLOWING CODES

- AISC.13-
- ACI 318M .2014-
- ASCE 7-16.
- ASTM.

S2 .ALL MEMBERS OF GALVANIZED STEEL QUALITY - :THE A36FY 36MATERIAL WAS SELECTED FOR ALL COLUMNS ,BEAMS , PURLINS AND BRACING AND SECTIONS . MINIMUM YEILD STRENGTH (FY 240=MPA).

S3 .ESTABLISH ANY HOLES OR CUTTING WORK SHOULD BE BY USING POWER ELECTRICAL EQUIPMENT.

S .4 COATING PROTECTION SHALL BE

OF GALVANIZATION OF 60MICROMETER OR EQUIVALENT ,RECOMMENDED ALTERNATIVE 40MICRO ZINC GALVANIZATION WITH PRIMER ACRYLIC BINDER PAINT COATS OF 70MICROMETER AND ONE TOP COAT OF ACRYLIC BINDER PAINT OF 50MICROMETER WITH TOTAL 120MICROMETER BINDER OR EQUIVALENT AS PER ISO.12944

S5 .CONSTRUCTION JOINTS WHERE NOT SHOWN SHALL BE LOCATED TO THE APPROVAL OF THE ENGINEER .IF ANY.

S6 ALL BOLTS ARE A 325OR A 490HIGH STRENGTH BOLTS AS ASTM.

CONCRETE

C .1ALL WORKMANSHIP AND MATERIALS SHALL BE IN ACCORDANCE WITH THE SPECIFICATION AND AMERICAN CONCRETE CODE ACI318-M(2014-REINFORCED CONCRETE STRUCTURES).

C2 .CONCRETE QUALITY (CONCRETE WITH EPOXY GROUT -):MINIMUM CONCRETE CUBE STRENGTH (F'C 30=MPA)AFTER 28 DAYS

C .3CONCRETE WITH EPOXY GROUT MUST BE MIXED BY AN ELECTRIC DRILL.

C4 .CONCRETE BASES ARE SPRAYED FOR AT LEAST 5DAYS THREE TIMES A DAY



Supply & Install Solar System for
Schools in Aden

توريد وتركيب منظومات طاقة شمسية
لمدارس في عدن

الملاحظات الرئيسية

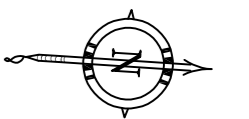
MAIN NOTES.

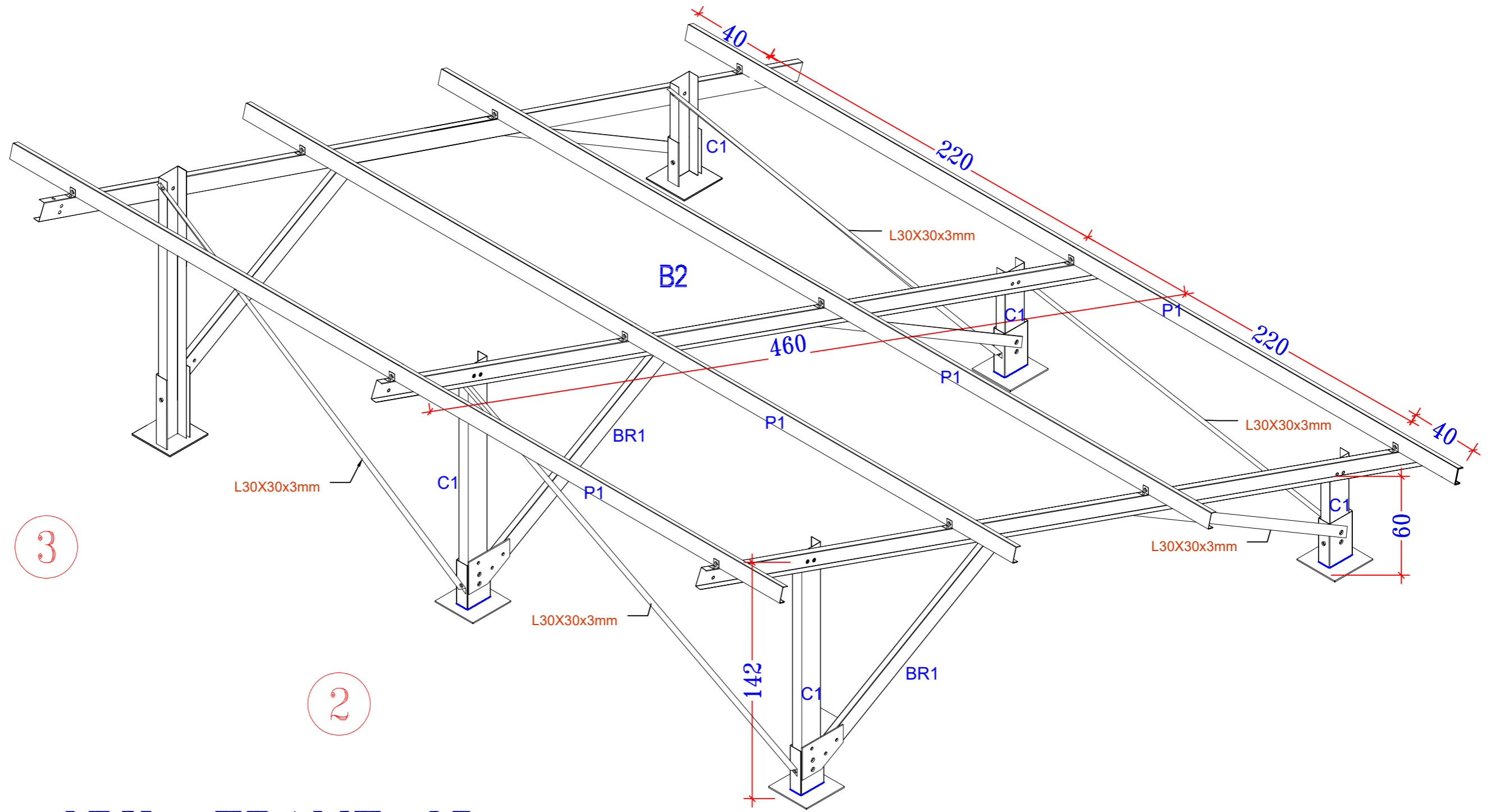
روضة الامل

S2 - 01

sheet
اسم اللوحة


Sheet No
رقم اللوحة





8PVs FRAME 3D

GALVANIZED STEEL SECTIONS DETAILS

SECTION SHAPE	NO	MEMBER DIMENSIONS IN MM					REMARKS
		A	B	C	t	Ø	
	C1, B1	75	35	0	2.8-3	-	
	P1	75	35	0	2.8-3	-	
	BR1	75	35	0	2.8-3	-	

2

1



Supply & Install Solar System for Schools in Aden

توريد وتركيب منظومات طاقة شمسية لمدارس في عدن

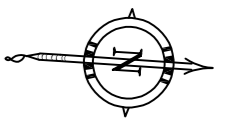
مسقط ثلاثي الابعاد
8PANELS 3D SCHEME

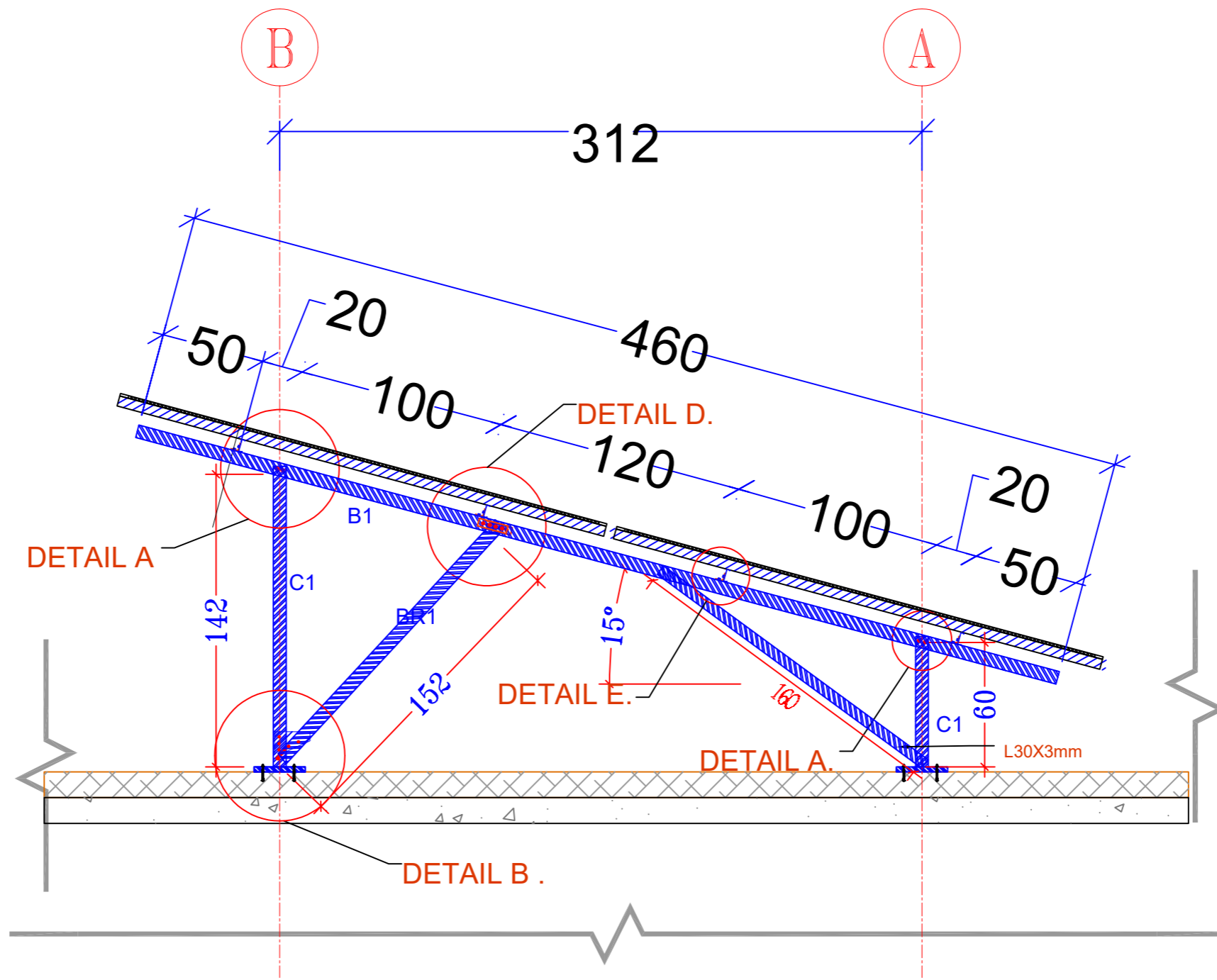
روضة الامل

S2 - 02

sheet
اسم اللوحة

Sheet No
رقم اللوحة





FRAME ELEVATION DETAILS

GALVANIZED STEEL SECTIONS DETAILS.

SECTION SHAPE	NO	MEMBER DIMENSIONS IN MM					REMARKS
		A	B	C	t	Ø	
	C1, B1	75	35	0	2.8-3	-	
	P1	75	35	0	2.8-3	-	
	BR1	75	35	0	2.8-3	-	



Supply & Install Solar System for
Schools in Aden

توريد وتركيب منظومات طاقة شمسية
لمدارس في عدن

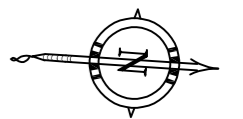
مسقط جانبي
MOUNTING
STRUCTURE SIDE
VIEW

روضة الامل

S2 - 03

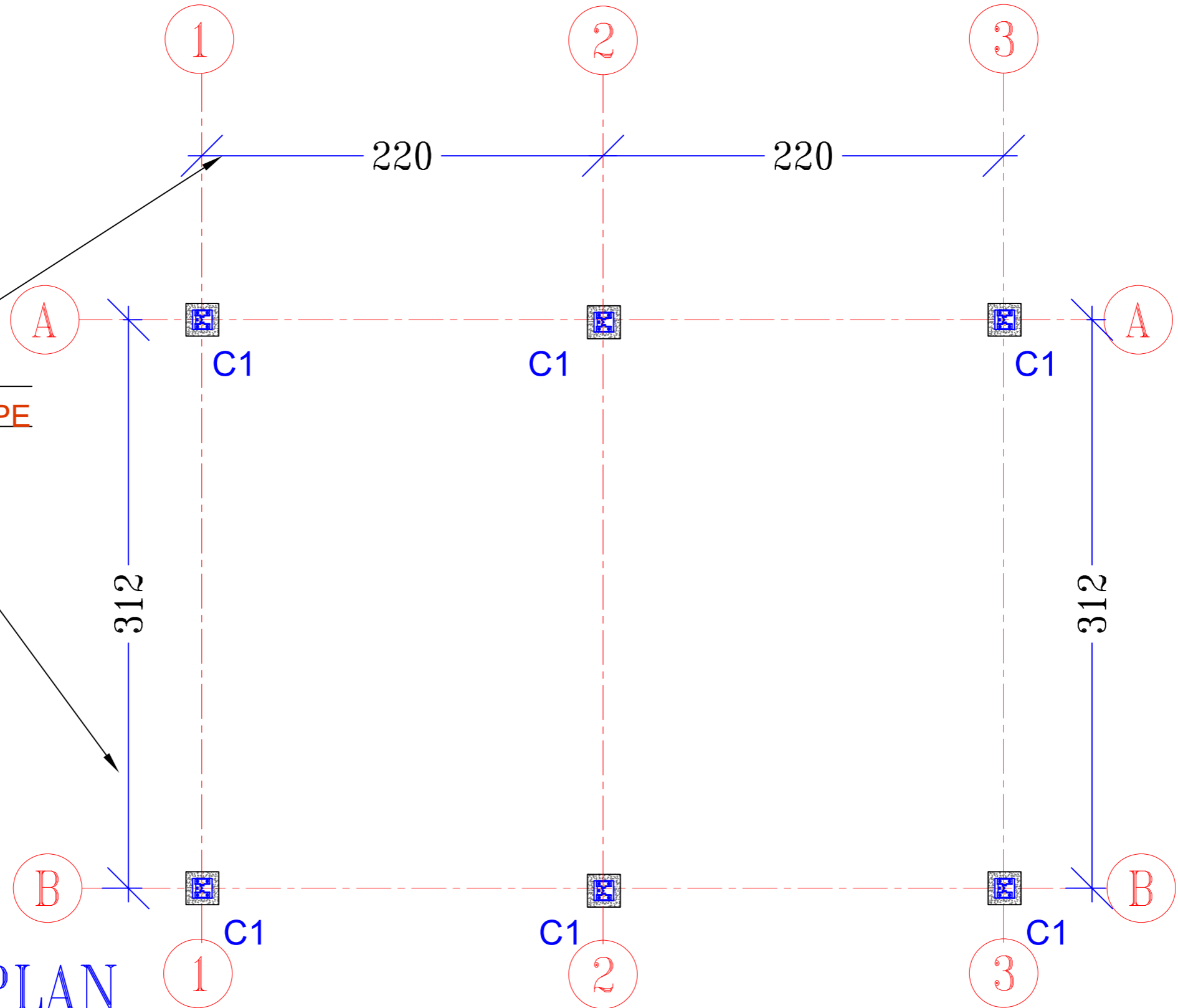
sheet
اسم اللوحة

Sheet No
رقم اللوحة



DIMENSION ON SLOPE

COLUMN PLAN



GALVANIZED STEEL SECTIONS DETAILS.

SECTION SHAPE	NO	MEMBER DIMENSIONS IN MM					REMARKS
		A	B	C	t	Ø	
	C1, B1	75	35	0	2.8-3	-	
	P1	75	35	0	2.8-3	-	
	BR1	75	35	0	2.8-3	-	



Supply & Install Solar System for Schools in Aden

توريد وتركيب منظومات طاقة شمسية
لمدارس في عدن

تفاصيل الاعمدة

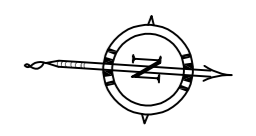
COLUMN BASE PLATE

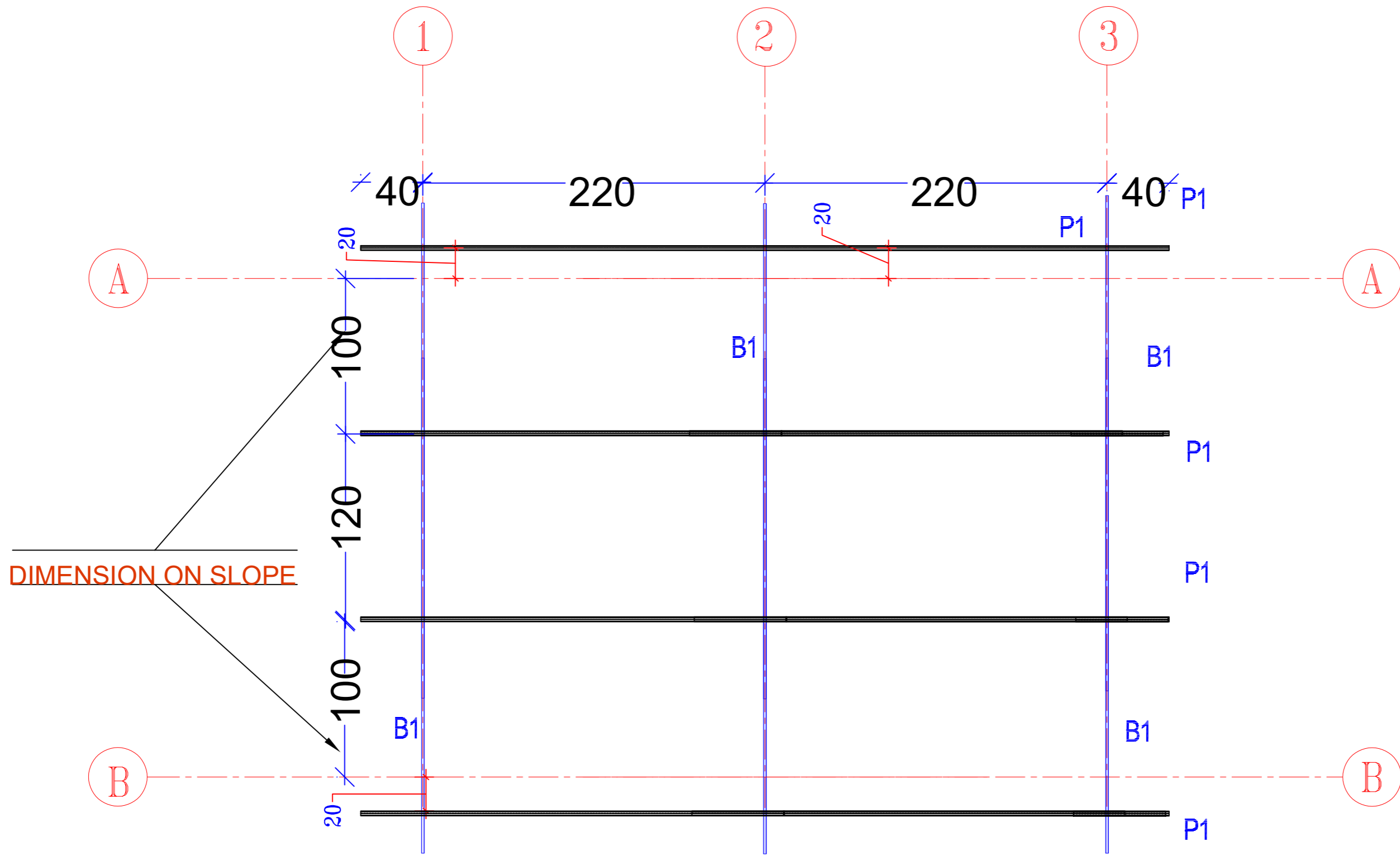
روضة الامل

S2 - 04

sheet
اسم اللوحة

Sheet No
رقم اللوحة





FRAME PLAN

GALVANIZED STEEL SECTIONS DETAILS.

SECTION SHAPE	NO	MEMBER DIMENSIONS IN MM				REMARKS
		A	B	C	t	
	C1, B1	75	35	0	2.8-3	-
	P1	75	35	0	2.8-3	-
	BR1	75	35	0	2.8-3	-



Supply & Install Solar System for Schools in Aden

توريد وتركيب منظومات طاقة شمسية لمدارس في عدن

تفاصيل القواعد السقفية

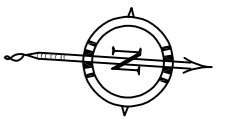
BEAMS PLAN DETAILS.

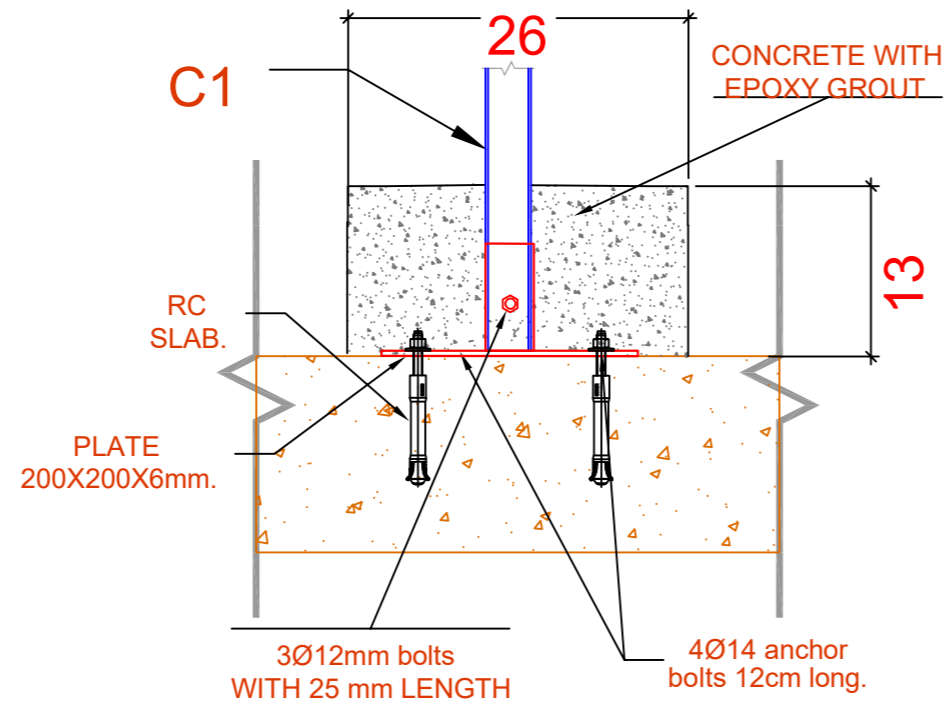
روضة الامل

S2 - 05

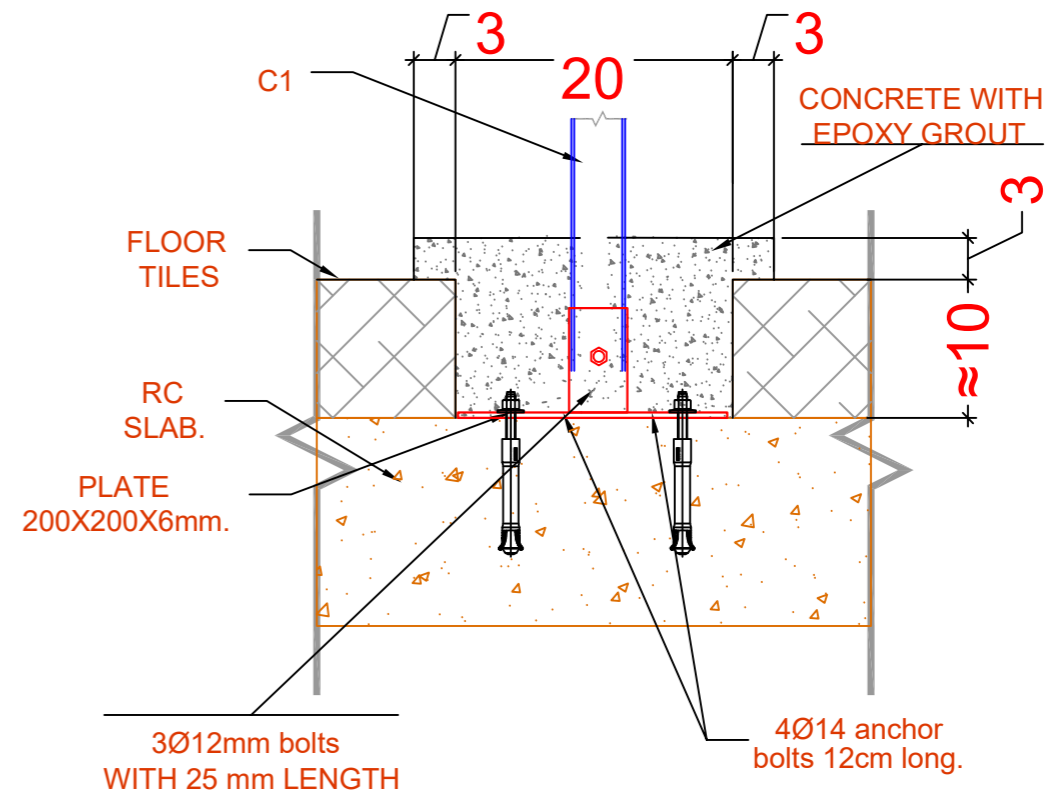
sheet
اسم اللوحة

Sheet No
رقم اللوحة

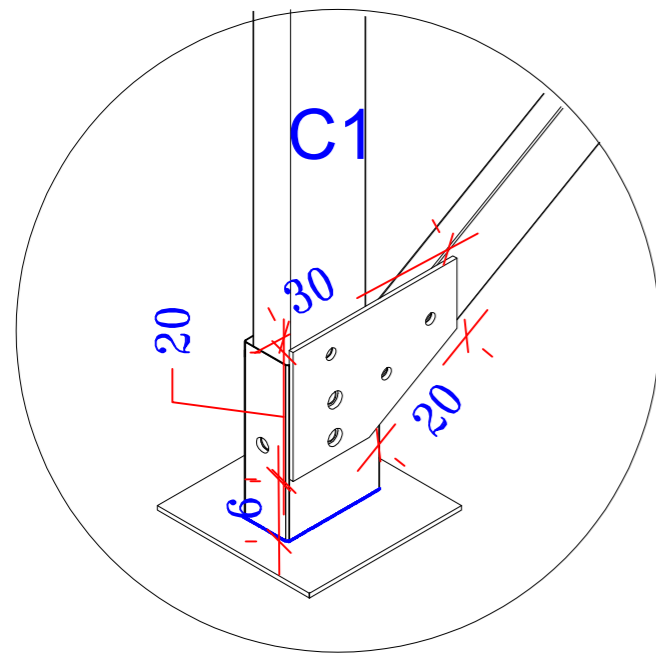




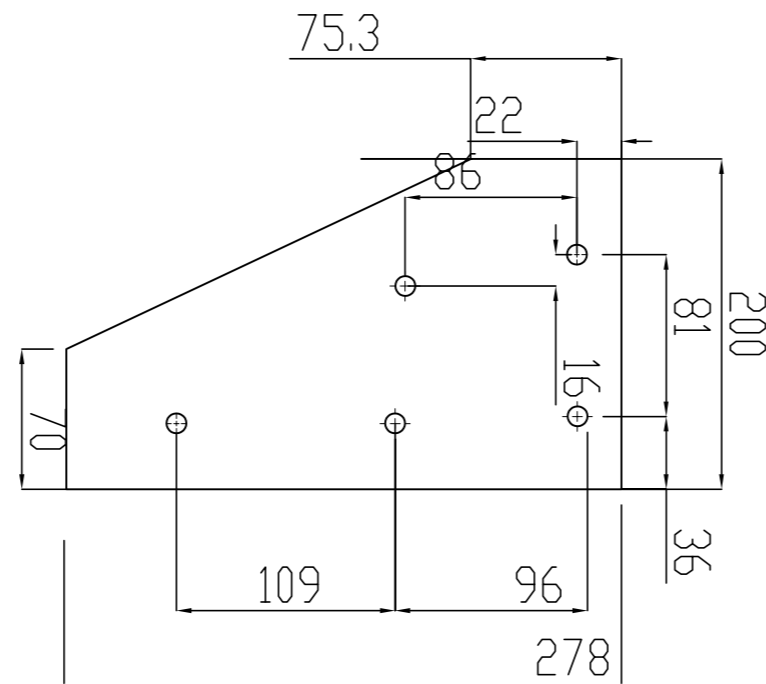
SLAB WITHOUT TILES



SLAB WITH TILES



DETAIL B.



NOTES

Roof pull out test should be carried out prior installation anchors pull out test should not be less than 7kN

GALVANIZED STEEL SECTIONS DETAILS.

SECTION SHAPE	NO	MEMBER DIMENSIONS IN MM				REMARKS
		A	B	C	t	
C	C1, B1	75	35	0	2.8-3	-
	P1	75	35	0	2.8-3	-
	BR1	75	35	0	2.8-3	-



Supply & Install Solar System for Schools in Aden

توريد وتركيب منظومات طاقة شمسية لمدارس في عدن

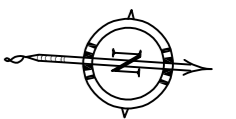
تفاصيل القاعدة
CONCRETE ,CONNECTION AND BASE
PLATES DETAILS A.

روضة الامل

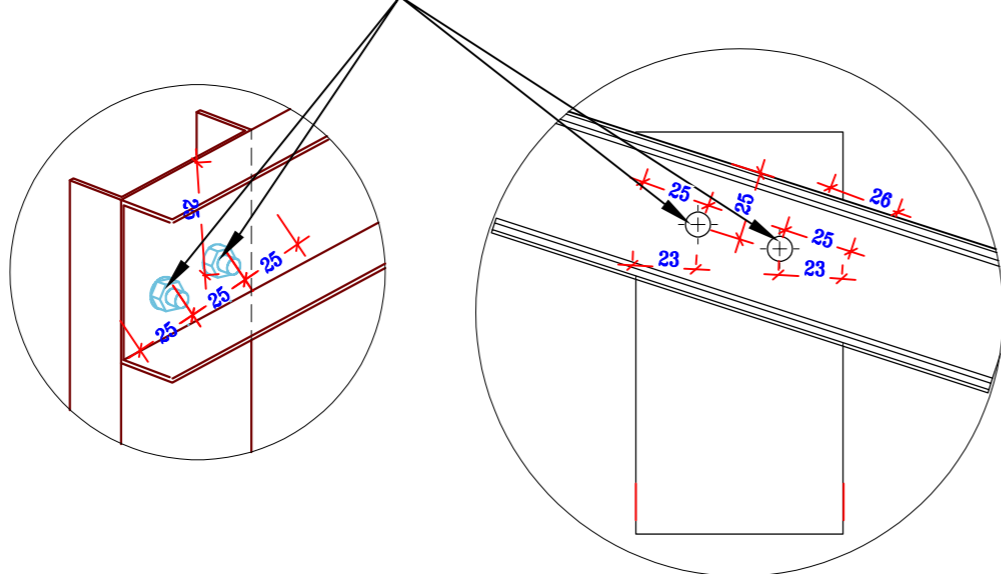
S2 - 06

sheet
اسم اللوحة

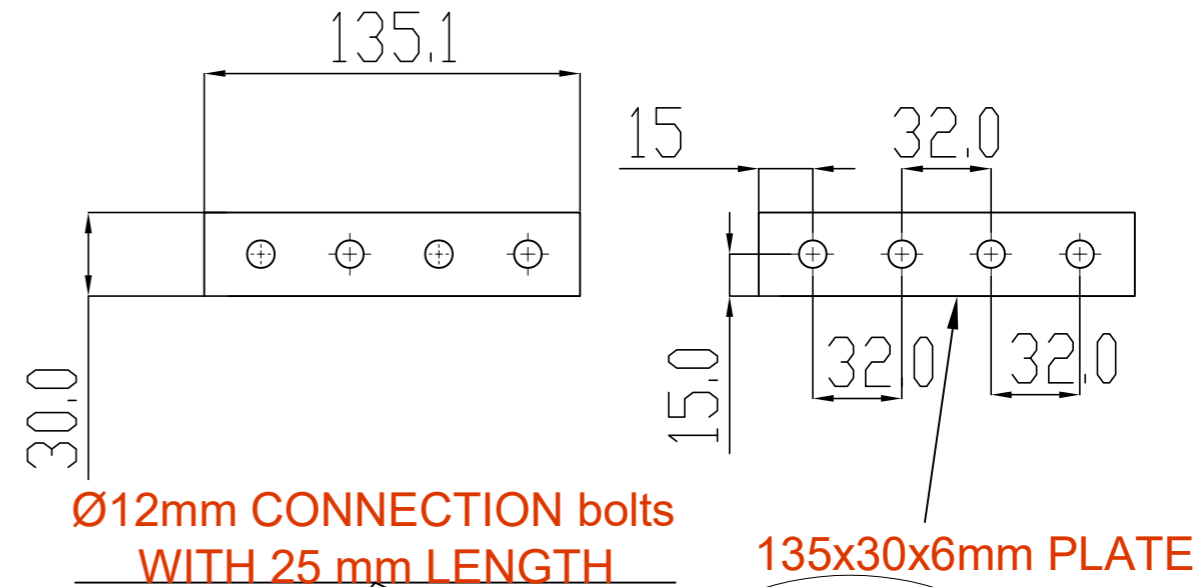
Sheet No
رقم اللوحة



Ø12mm CONNECTION bolts
WITH 25 mm LENGTH



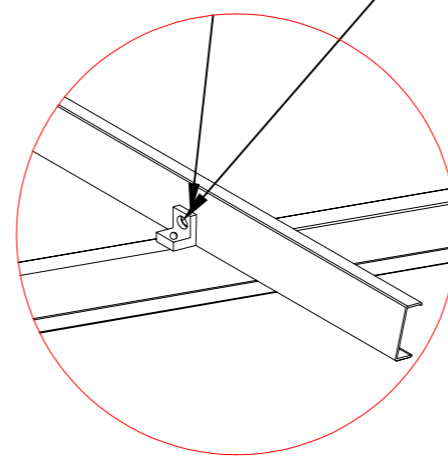
DETAIL A.



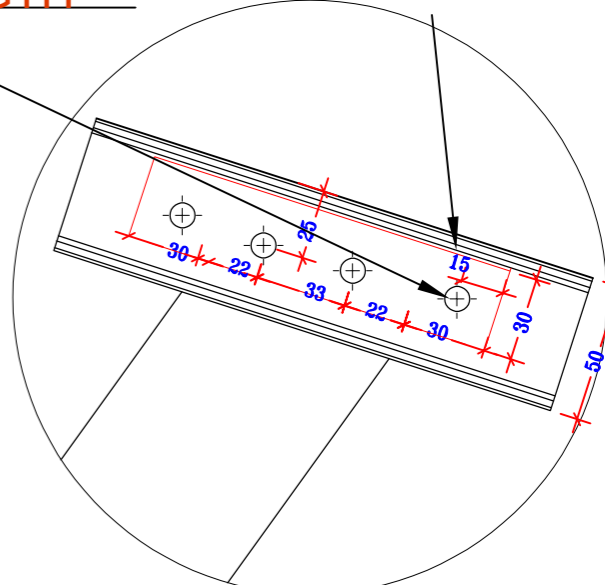
Ø12mm CONNECTION bolts
WITH 25 mm LENGTH

135x30x6mm PLATE

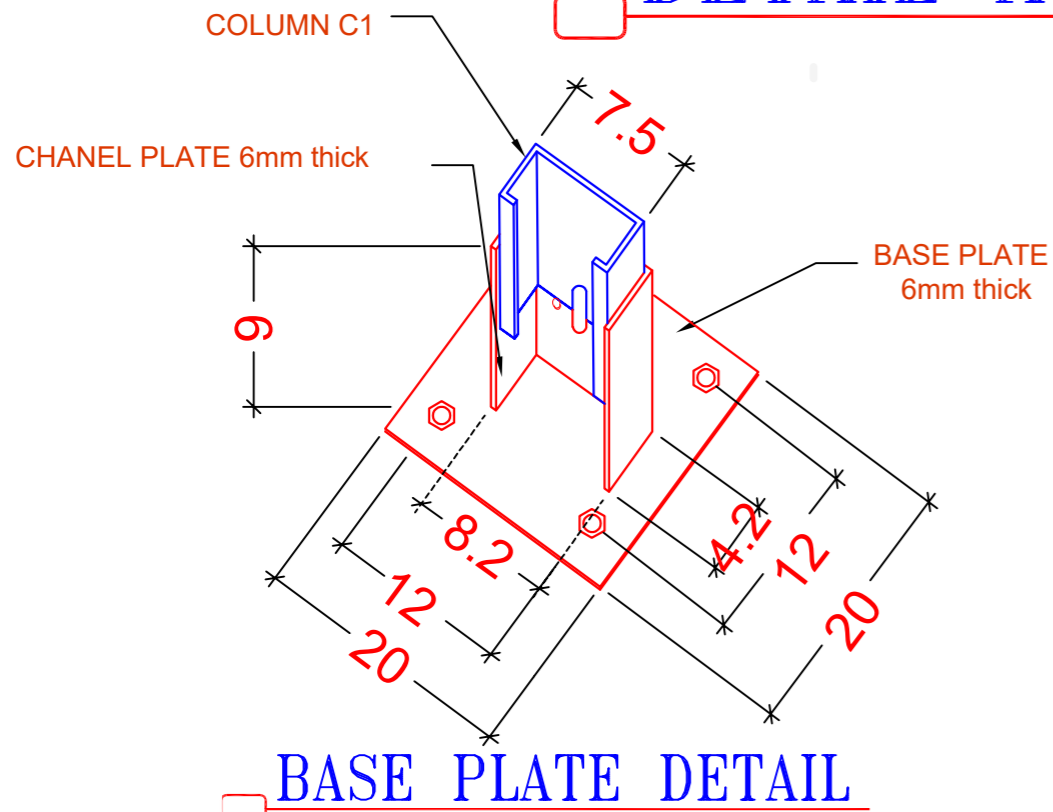
25x25x6mm LPLATE



DETAIL E



DETAIL D



BASE PLATE DETAIL

GALVANIZED STEEL SECTIONS DETAILS.

SECTION SHAPE	NO	MEMBER DIMENSIONS IN MM				REMARKS
		A	B	C	t	
C1, B1	75	35	0	2.8~3	-	
	P1	75	35	0	2.8~3	-
	BR1	75	35	0	2.8~3	-



Supply & Install Solar System for
Schools in Aden

توريد وتركيب منظومات طاقة شمسية
لمدارس في عدن

تفاصيل القاعدة

CONCRETE ,CONNECTION AND BASE
PLATES DETAILS B.

روضة الامل

S2 - 07

sheet
اسم اللوحة

Sheet No
رقم اللوحة

