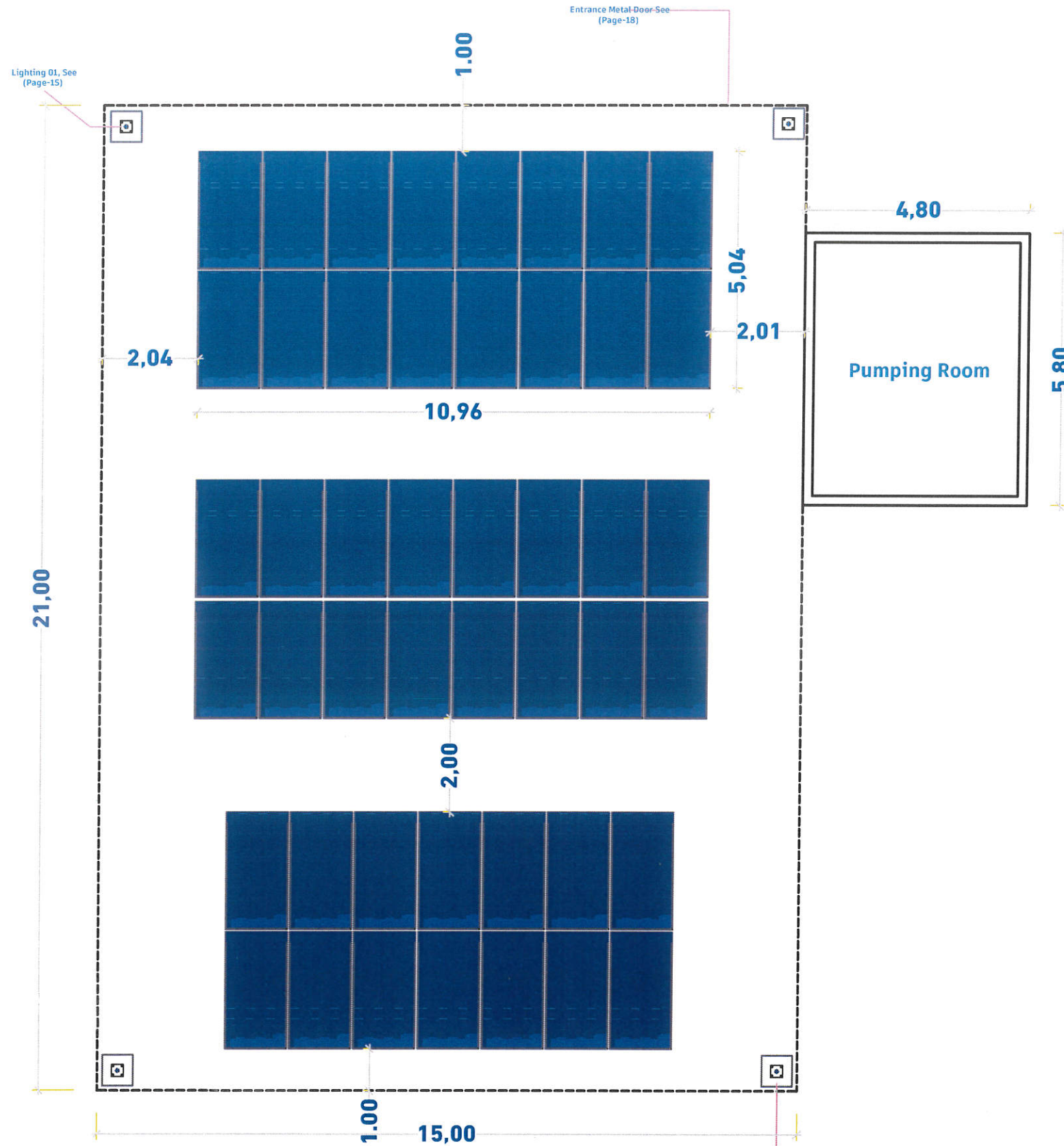


# ACTION FOR HUMANITY YEMEN

## Notes

- 1- All the dimensions should be checked before execution.
- 2-The main items and details of the drawings have priority to general main items and typical drawings of the structure.
- 3- All the Drawings , BoQs Items should be checked By Contractor with Samaritan Purse's Engineer before execution.
- 4- Unless otherwise mentioned in the drawings and typical detailed drawings, unit of the dimension is meter (m)



## Solar Site plan موقع الألواح الشمسية

PROJECT NAME	Rehabilitation of Al-Urief Water Project		
PROJECT SITE	Bani Al-Huthayfi Al-Haymah Al-Dakhiliyah		
PROJECT NO	1517	SHEET NAME	Sections' Details
DATE	UNIT	SHEET NO	SCALE
2025	M / CM	2 of 20	TO-FIT
DESIGNED BY ENGINEER		APPROVER	
Jamal Masoud		Majed Ali	

# ACTION FOR HUMANITY YEMEN

## Notes

1- All the dimensions should be checked before execution.

2-The main items and details of the drawings have priority to general main items and typical drawings of the structure.

3- All the Drawings , BoQs Items should be checked By Contractor with Samaritan Purse's Engineer before execution.

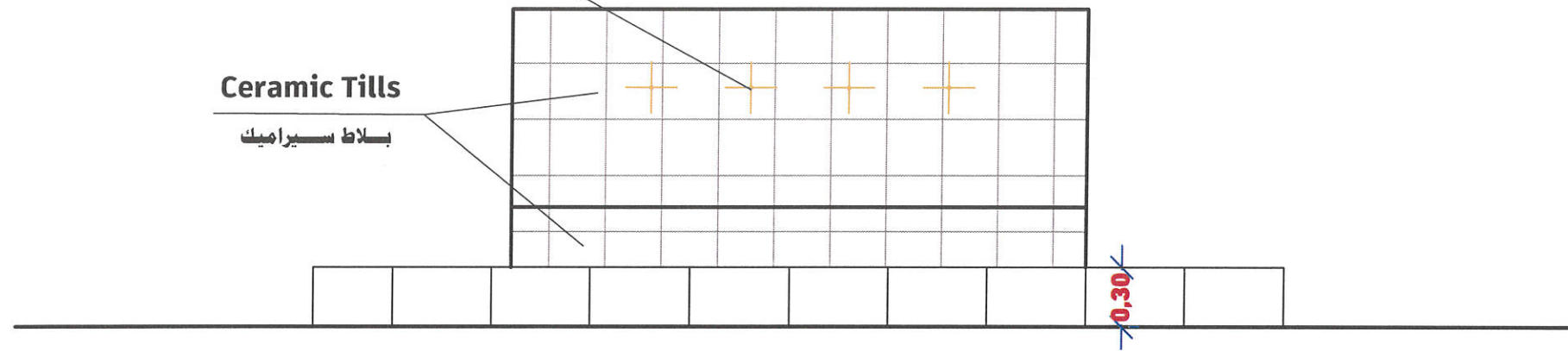
4- Unless otherwise mentioned in the drawings and typical detailed drawings, unit of the dimension is meter (m)

4 WATER TAP SIZE  $\frac{1}{2}$ "

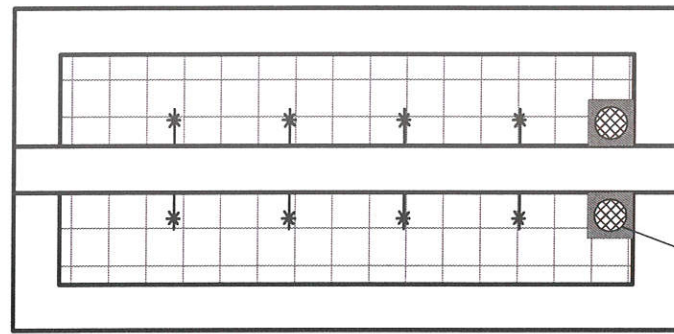
4 حنفيات مقياس 0.5 إنش

Ceramic Tills

بساط سيراميك



Elevation

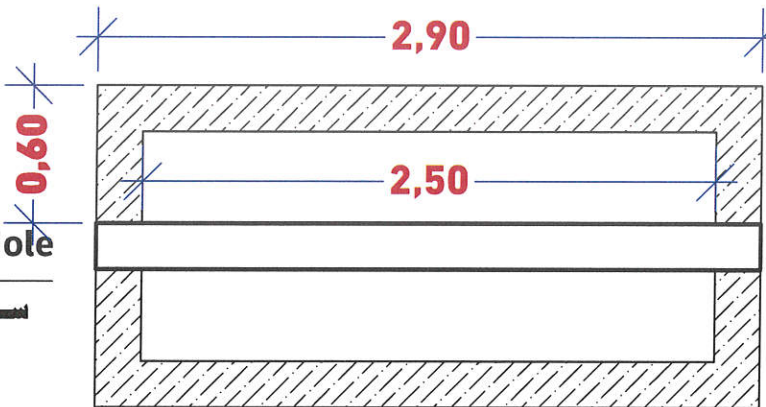


Water Basin Taps

حنفيات المياه

Drainage Hole

سيفون أرضي



20 cm automatic concrete block

بلوك اوتوماتيكي 20 سم

Filling basin

حوض التعبئة



PROJECT NAME	Rehabilitation of Al-Urief Water Project		
PROJECT SITE	Bani Al-Huthayfi Al-Haymah Al-Dakhiliyah		
PROJECT NO	1517	SHEET NAME	Sections' Details
DATE	UNIT	SHEET NO	SCALE
2025	M / CM	1 of 20	TO-FIT
DESIGNED BY ENGINEER		APPROVER	
Jamal Masoud		Majed Ali	

# ACTION FOR HUMANITY YEMEN

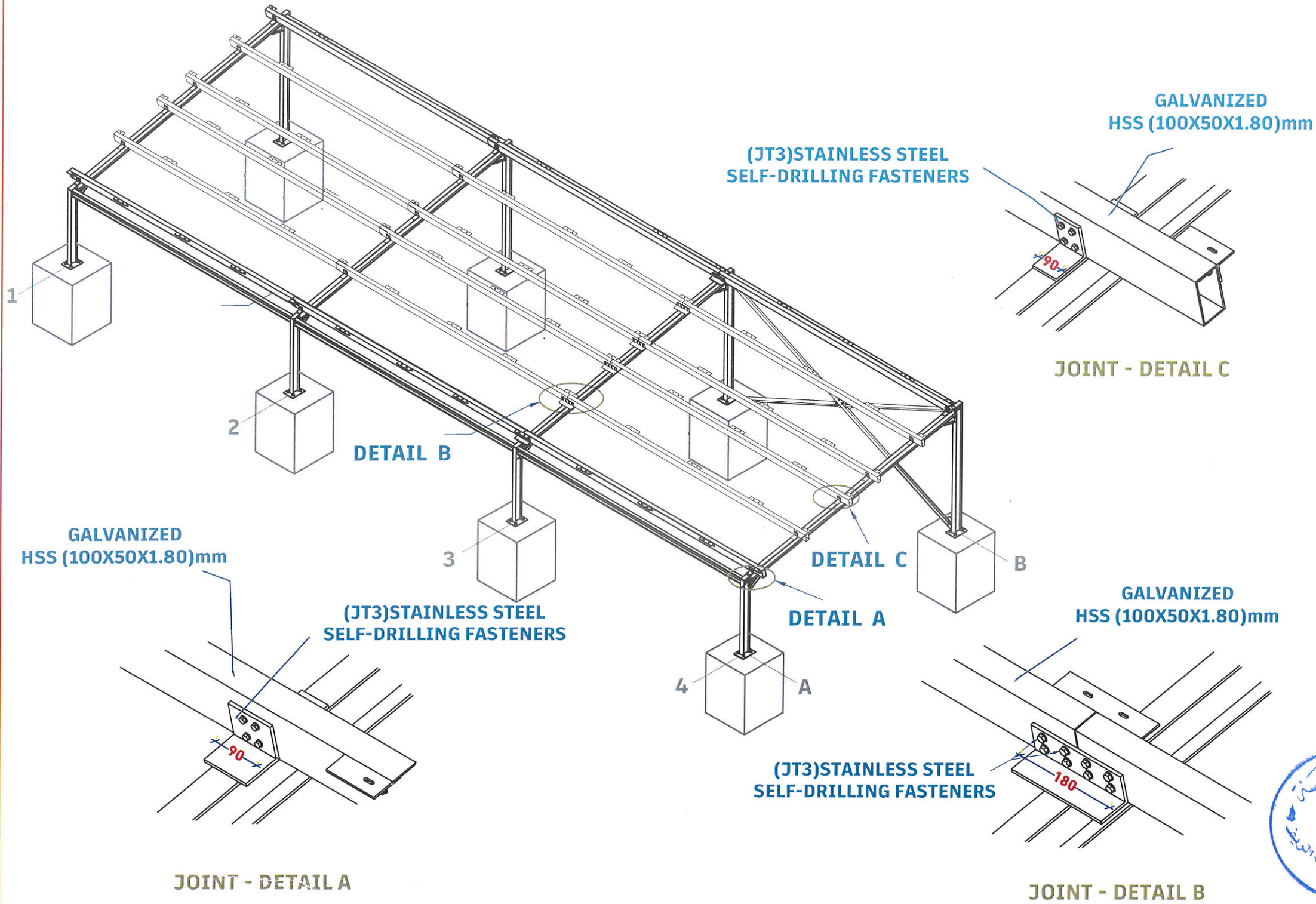
## Notes

1- All the dimensions should be checked before execution.

2-The main items and details of the drawings have priority to general main items and typical drawings of the structure.

3- All the Drawings , BoQs Items should be checked By Contractor with Samaritan Purse's Engineer before execution.

4- Unless otherwise mentioned in the drawings and typical detailed drawings, unit of the dimension is meter (m)



<b>PROJECT NAME</b>	Rehabilitation of Al-Urief Water Project		
<b>PROJECT SITE</b>	Bani Al-Huthayfi Al-Haymah Al-Dakhiliyah		
<b>PROJECT NO</b>	<b>1517</b>	<b>SHEET NAME</b>	Sections' Details
<b>DATE</b>	<b>UNIT</b>	<b>SHEET NO</b>	<b>SCALE</b>
2025	M / CM	3 of 20	TO-FIT
<b>DESIGNED BY ENGINEER</b>		<b>APPROVER</b>	
Jamal Masoud		Majed Ali	

# ACTION FOR HUMANITY YEMEN

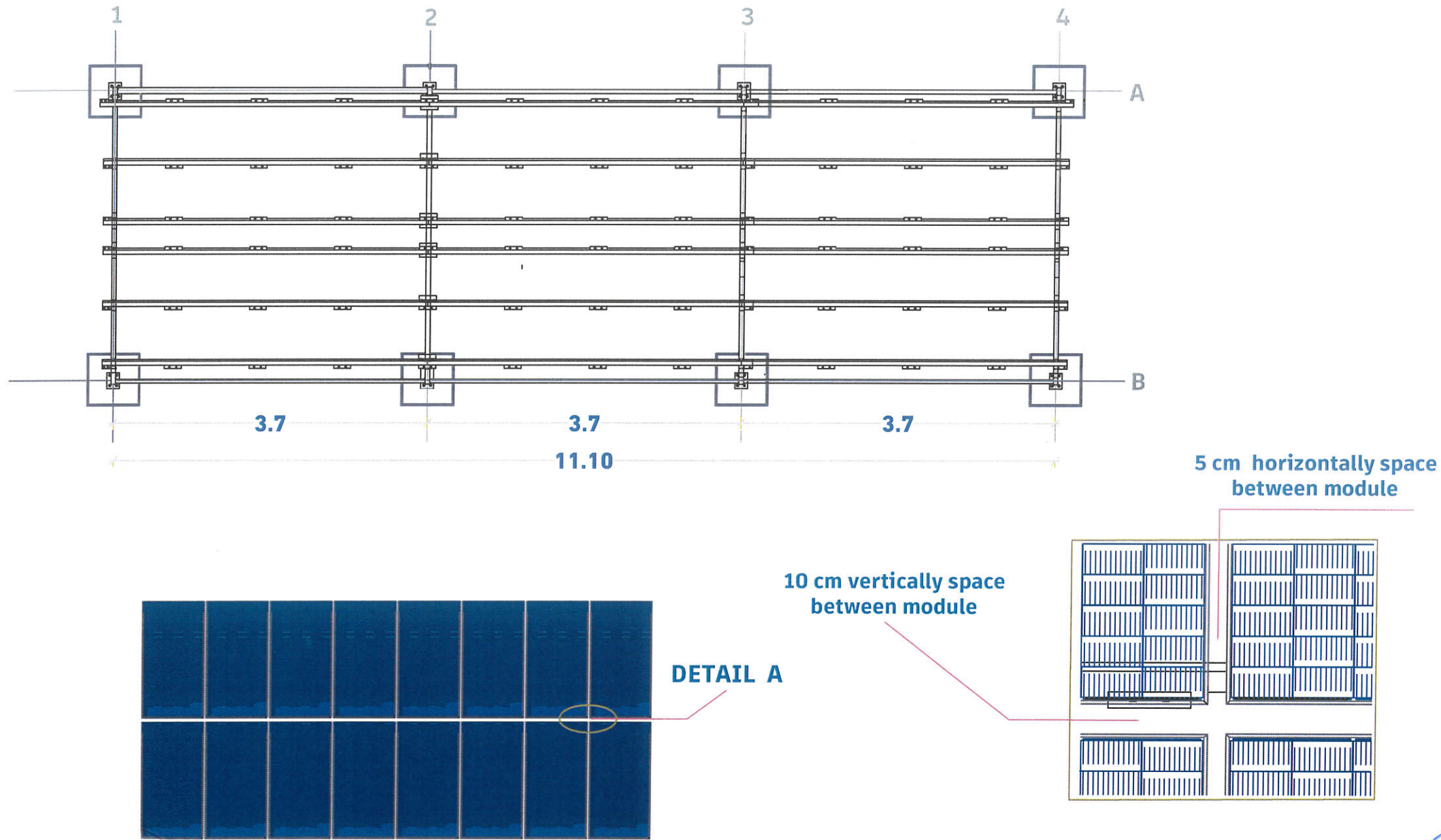
## Notes

1- All the dimensions should be checked before execution.

2-The main items and details of the drawings have priority to general main items and typical drawings of the structure.

3- All the Drawings , BoQs Items should be checked By Contractor with Samaritan Purse's Engineer before execution.

4- Unless otherwise mentioned in the drawings and typical detailed drawings, unit of the dimension is meter (m)



## FULL FRAMING PLAN

قاعدة الألواح مسقط افقي

<b>PROJECT NAME</b>		Rehabilitation of Al-Urief Water Project	
<b>PROJECT SITE</b>		Bani Al-Huthayfi Al-Haymah Al-Dakhiliyah	
<b>PROJECT NO</b>	<b>1517</b>	<b>SHEET NAME</b>	Sections' Details
<b>DATE</b>	<b>UNIT</b>	<b>SHEET NO</b>	<b>SCALE</b>
2025	M / CM	4 of 20	TO-FIT
<b>DESIGNED BY ENGINEER</b>		<b>APPROVER</b>	
Jamal Masoud		Majed Ali	

# ACTION FOR HUMANITY YEMEN

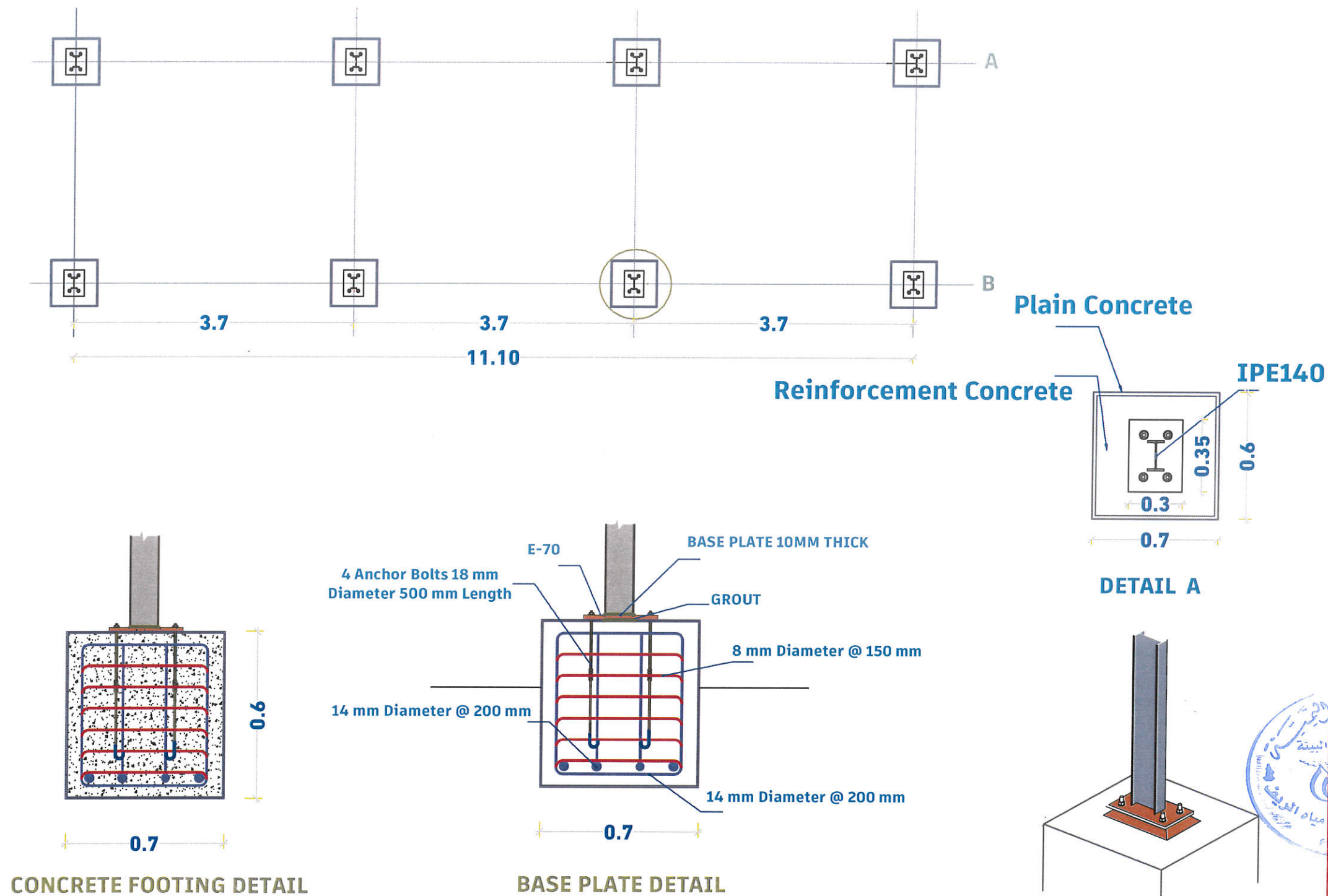
## Notes

1- All the dimensions should be checked before execution.

2-The main items and details of the drawings have priority to general main items and typical drawings of the structure.

3- All the Drawings , BoQs Items should be checked By Contractor with Samaritan Purse's Engineer before execution.

4- Unless otherwise mentioned in the drawings and typical detailed drawings, unit of the dimension is meter (m)



## MOUNTING FOOTING STRUCTURE DETAIL

تفاصيل قواعد حاملات الألواح

<b>PROJECT NAME</b>	Rehabilitation of Al-Urief Water Project		
<b>PROJECT SITE</b>	Bani Al-Huthayfi Al-Haymah Al-Dakhiliyah		
<b>PROJECT NO</b>	<b>1517</b>	<b>SHEET NAME</b>	Sections' Details
<b>DATE</b>	<b>UNIT</b>	<b>SHEET NO</b>	<b>SCALE</b>
2025	M / CM	5 of 20	TO-FIT
<b>DESIGNED BY ENGINEER</b>		<b>APPROVER</b>	
Jamal Masoud		Majed Ali	

# ACTION FOR HUMANITY YEMEN

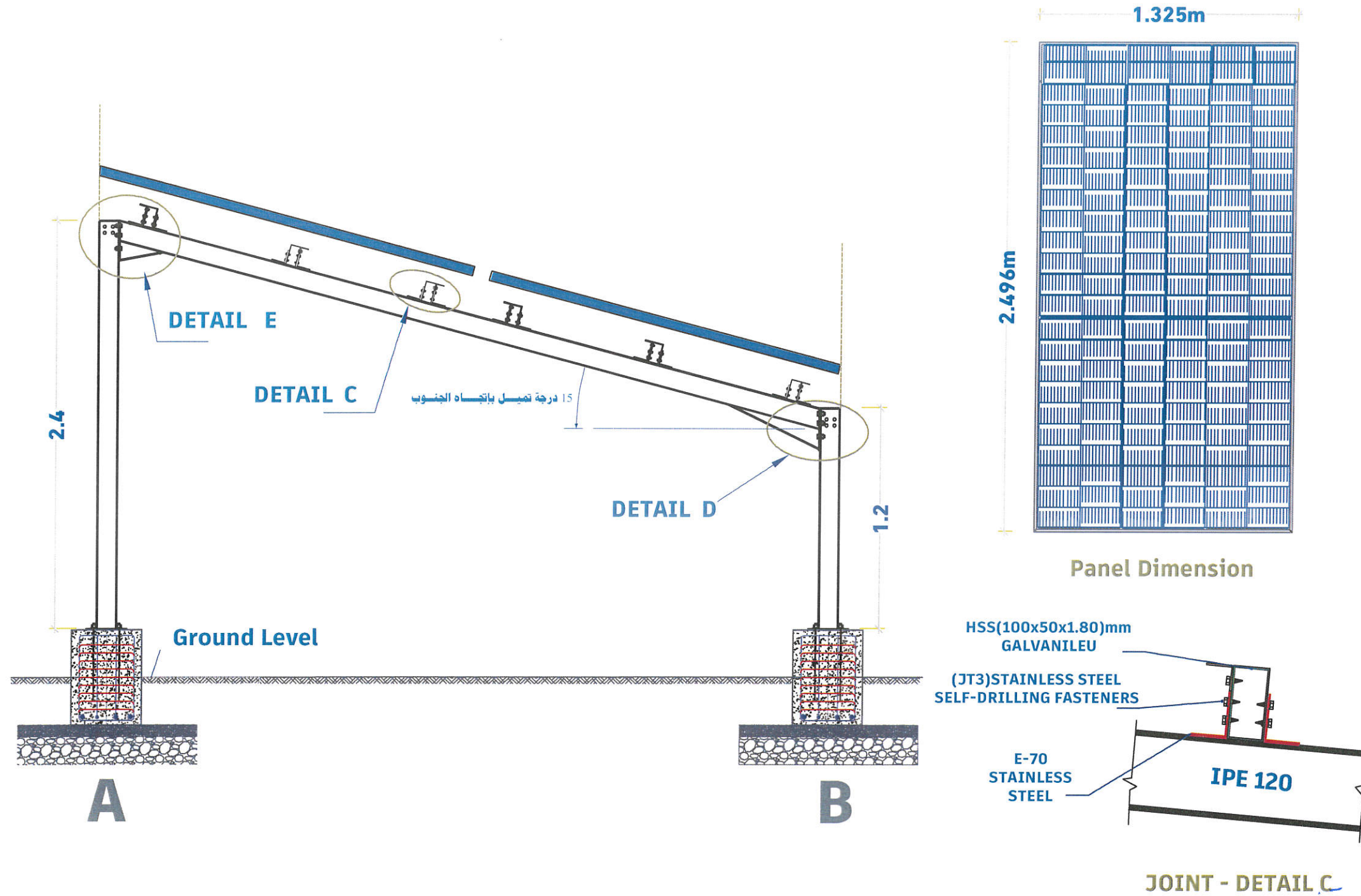
## Notes

1- All the dimensions should be checked before execution.

2-The main items and details of the drawings have priority to general main items and typical drawings of the structure.

3- All the Drawings , BoQs Items should be checked By Contractor with Samaritan Purse's Engineer before execution.

4- Unless otherwise mentioned in the drawings and typical detailed drawings, unit of the dimension is meter (m)



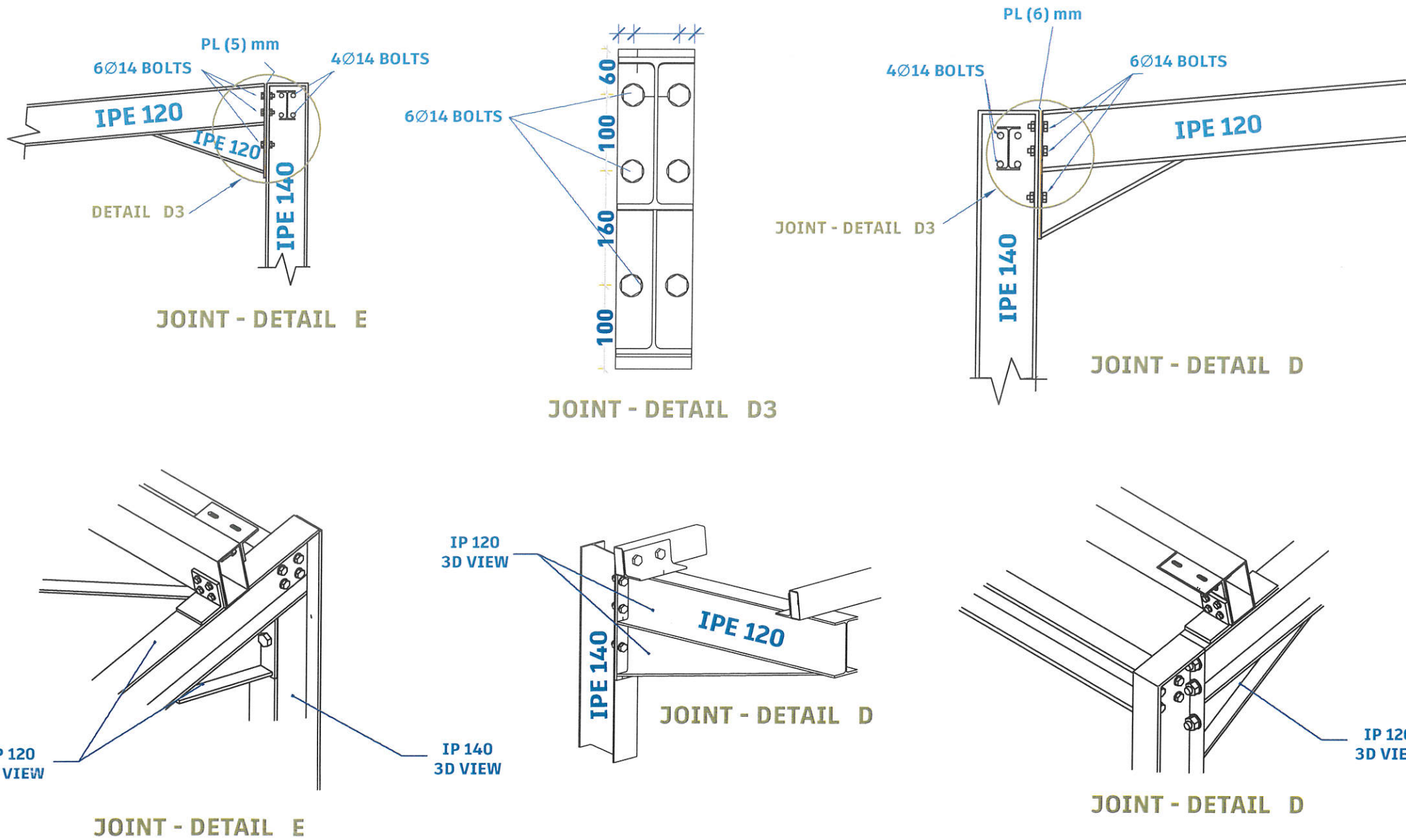
## SIDE ELEVATION

مقطع عرضي



PROJECT NAME	Rehabilitation of Al-Urief Water Project		
PROJECT SITE	Bani Al-Huthayfi Al-Haymah Al-Dakhiliyah		
PROJECT NO	1517	SHEET NAME	Sections' Details
DATE	UNIT	SHEET NO	SCALE
2025	M / CM	6 of 20	TO-FIT
DESIGNED BY ENGINEER		APPROVER	
Jamal Masoud		Majed Ali	

# ACTION FOR HUMANITY YEMEN



## JOINT - DETAIL

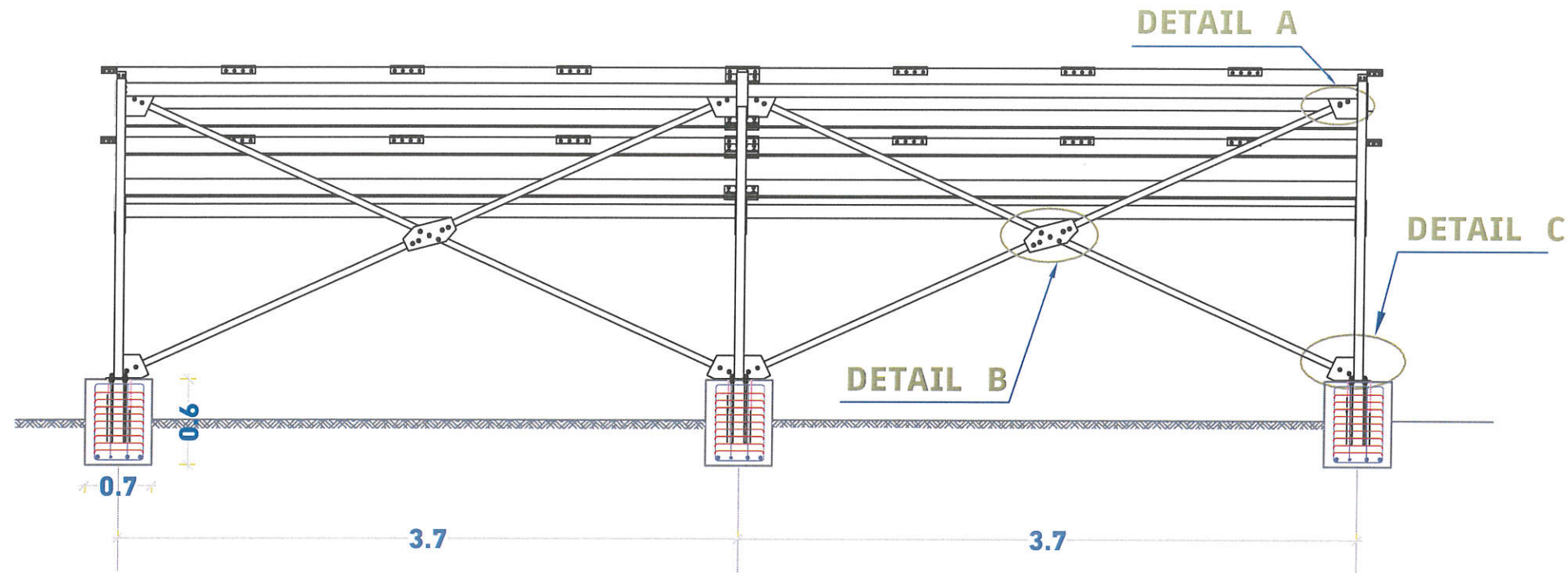
### Notes

- 1- All the dimensions should be checked before execution.
- 2-The main items and details of the drawings have priority to general main items and typical drawings of the structure.
- 3- All the Drawings , BoQs Items should be checked By Contractor with Samaritan Purse's Engineer before execution.
- 4- Unless otherwise mentioned in the drawings and typical detailed drawings, unit of the dimension is meter (m)

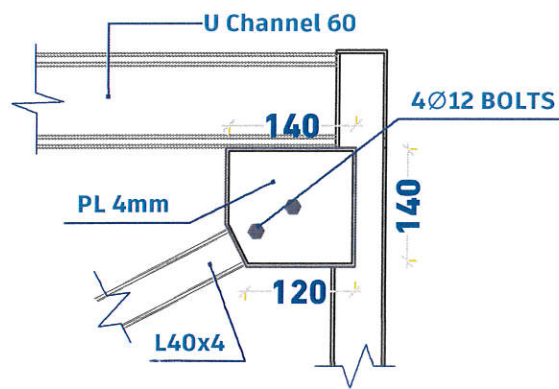


<b>PROJECT NAME</b>		Rehabilitation of Al-Urief Water Project	
<b>PROJECT SITE</b>		Bani Al-Huthayfi Al-Haymah Al-Dakhiliyah	
<b>PROJECT NO</b>	<b>1517</b>	<b>SHEET NAME</b>	Sections' Details
<b>DATE</b>	<b>UNIT</b>	<b>SHEET NO</b>	<b>SCALE</b>
2025	M / CM	7 of 20	TO-FIT
<b>DESIGNED BY ENGINEER</b>		<b>APPROVER</b>	
Jamal Masoud		Majed Ali	

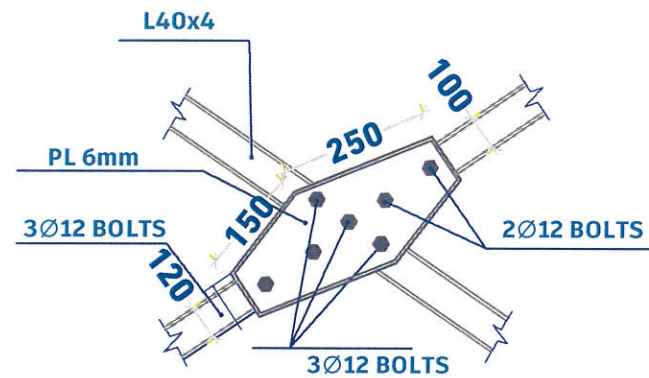
# ACTION FOR HUMANITY YEMEN



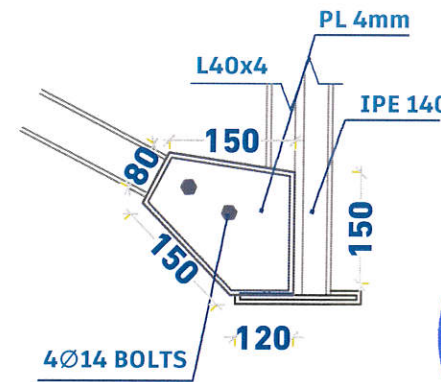
## BACK ELEVATION



DETAIL A



DETAIL B



DETAIL C

## Notes

1- All the dimensions should be checked before execution.

2-The main items and details of the drawings have priority to general main items and typical drawings of the structure.

3- All the Drawings , BoQs Items should be checked By Contractor with Samaritan Purse's Engineer before execution.

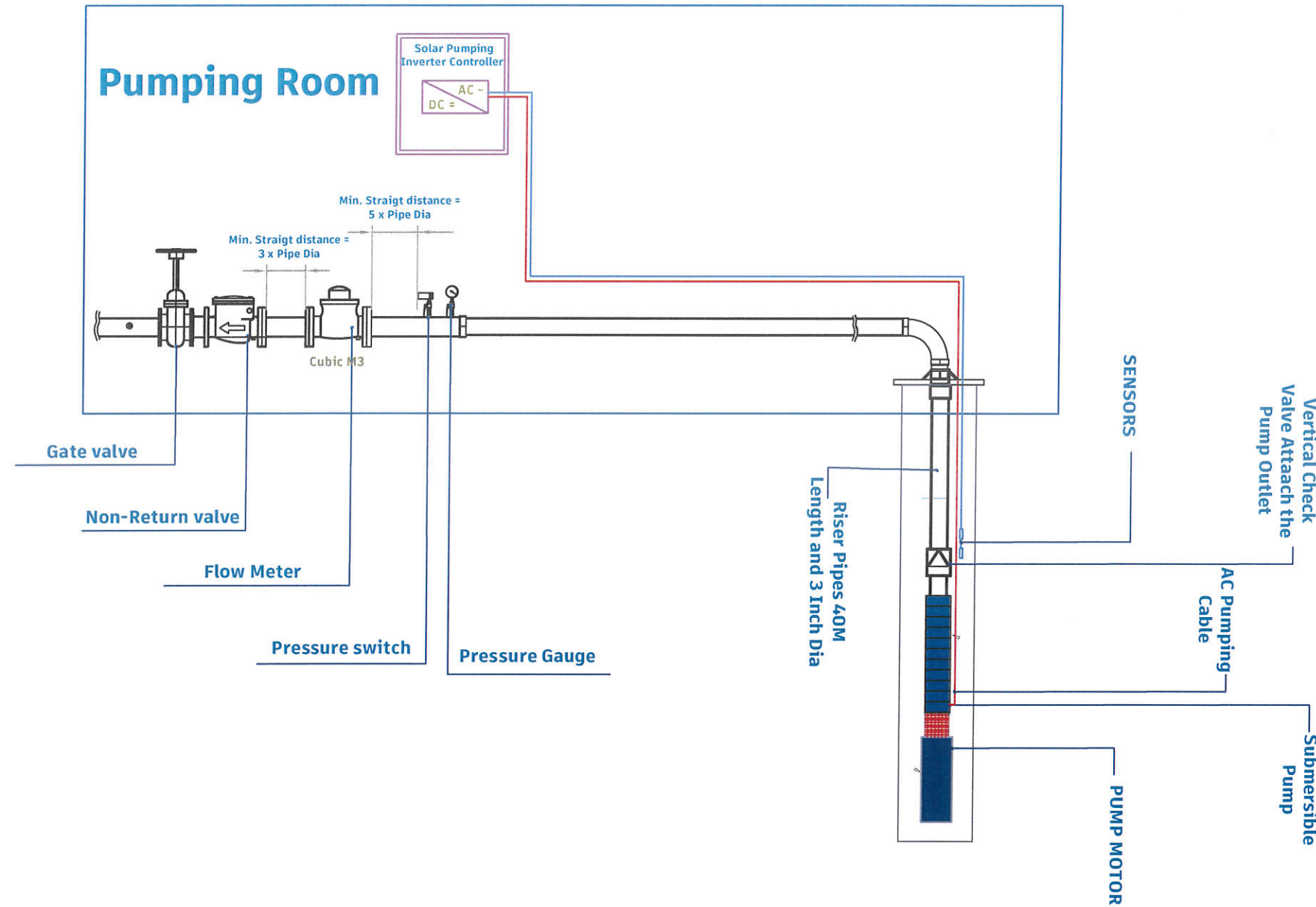
4- Unless otherwise mentioned in the drawings and typical detailed drawings, unit of the dimension is meter (m)



PROJECT NAME	Rehabilitation of Al-Urief Water Project		
PROJECT SITE	Bani Al-Huthayfi Al-Haymah Al-Dakhiliyah		
PROJECT NO	1517	SHEET NAME	Sections' Details
DATE	UNIT	SHEET NO	SCALE
2025	M / CM	8 of 20	TO-FIT
DESIGNED BY ENGINEER		APPROVER	
Jamal Masoud		Majed Ali	



# ACTION FOR HUMANITY YEMEN



## Typical Installation of Vertical Submersible Pumping Unit

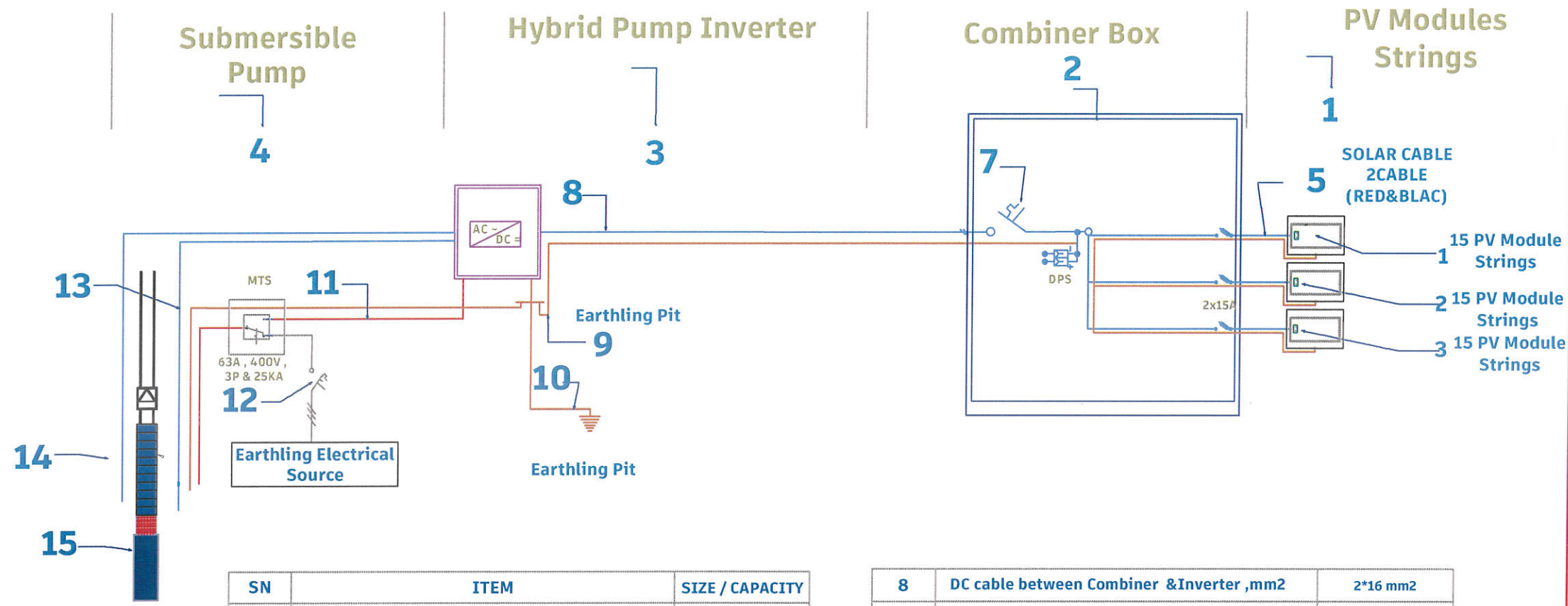
### Notes

- 1- All the dimensions should be checked before execution.
- 2-The main items and details of the drawings have priority to general main items and typical drawings of the structure.
- 3- All the Drawings , BoQs Items should be checked By Contractor with Samaritan Purse's Engineer before execution.
- 4- Unless otherwise mentioned in the drawings and typical detailed drawings, unit of the dimension is meter (m)



<b>PROJECT NAME</b>	Rehabilitation of Al-Urief Water Project		
<b>PROJECT SITE</b>	Bani Al-Huthayfi Al-Haymah Al-Dakhiliyah		
<b>PROJECT NO</b>	<b>1517</b>	<b>SHEET NAME</b>	Sections' Details
<b>DATE</b>	<b>UNIT</b>	<b>SHEET NO</b>	<b>SCALE</b>
2025	M / CM	9 of 20	TO-FIT
<b>DESIGNED BY ENGINEER</b>		<b>APPROVER</b>	
Jamal Masoud		Majed Ali	

# ACTION FOR HUMANITY YEMEN



## Notes

1- All the dimensions should be checked before execution.

2-The main items and details of the drawings have priority to general main items and typical drawings of the structure.

3- All the Drawings , BoQs Items should be checked By Contractor with Samaritan Purse's Engineer before execution.

4- Unless otherwise mentioned in the drawings and typical detailed drawings, unit of the dimension is meter (m)

SN	ITEM	SIZE / CAPACITY
1	# of PV Strings and Total Modules	3=> strips 15.0 kW
2	Combiner Box	>=A 60
3	Inverter Power ,KW	>=37kW
4	Submersible Pump Power ,KW	3=> 22 kW
5	DC cable Between Arrays to Combiner Box ,mm2	>=2*10 mm2
6	Earthing Cable between PV modules ,mm2	10 mm2
7	Combiner DC circuit breaker size	As BOQ

8	DC cable between Combiner & Inverter ,mm2	2*16 mm2
9	Earthing Cable from Inverter to the Bus bar ,mm	10 mm2
10	Earthing Cable from bus bar to earthing pit ,mm	10 mm2
11	Pump AC Cable ,mm2	3*16 mm2
12	12 input AC circuit breaker ,A	As BOQ
13	Level Sensor Cable ,mm2	>=1.5 mm2
14	Pressure Switch Cable ,mm2	>=2*1.5 mm2
15	Submersible Pump Motor ,KW	As BOQ

## Submersible Pump Wiring Diagram

<b>PROJECT NAME</b>	Rehabilitation of Al-Urief Water Project		
<b>PROJECT SITE</b>	Bani Al-Huthayfi Al-Haymah Al-Dakhiliyah		
<b>PROJECT NO</b>	<b>1517</b>	<b>SHEET NAME</b>	Sections' Details
<b>DATE</b>	<b>UNIT</b>	<b>SHEET NO</b>	<b>SCALE</b>
2025	M / CM	10 of 20	TO-FIT
<b>DESIGNED BY ENGINEER</b>		<b>APPROVER</b>	
Jamal Masoud		Majed Ali	

# ACTION FOR HUMANITY YEMEN

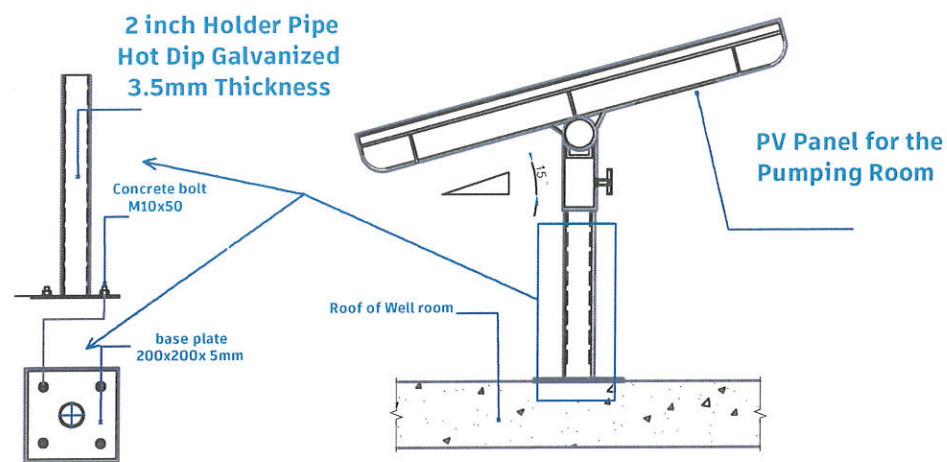
## Notes

1- All the dimensions should be checked before execution.

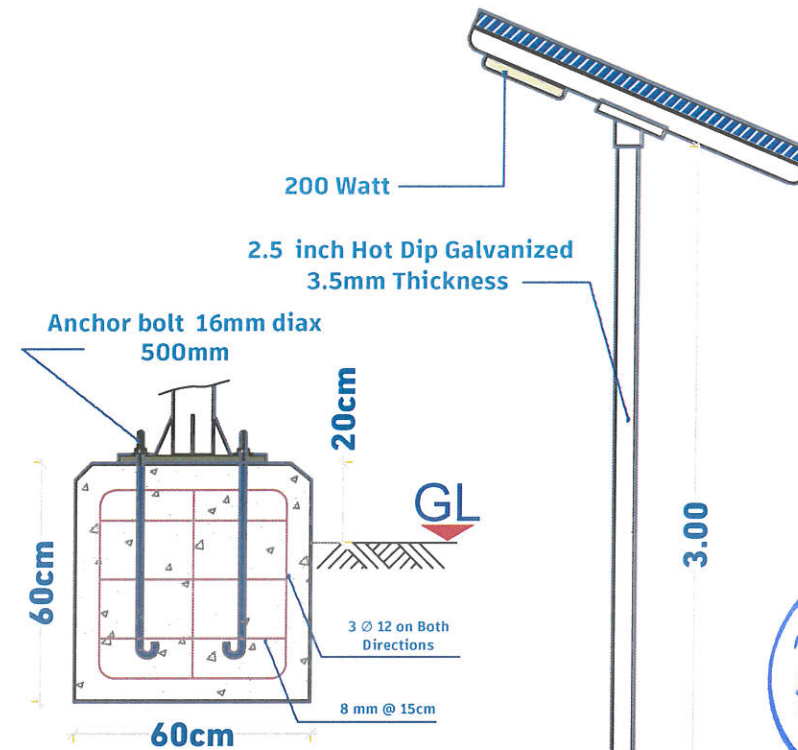
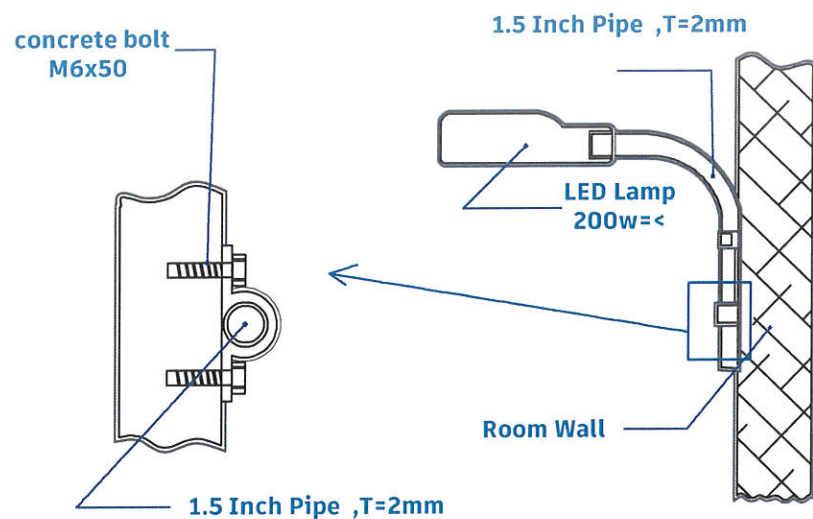
2-The main items and details of the drawings have priority to general main items and typical drawings of the structure.

3- All the Drawings , BoQs Items should be checked By Contractor with Samaritan Purse's Engineer before execution.

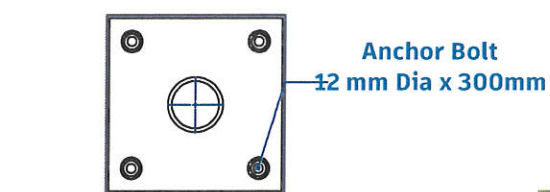
4- Unless otherwise mentioned in the drawings and typical detailed drawings, unit of the dimension is meter (m)



## PV PANEL OF ROOM LIGHTING TYPICAL INSTALLATION



## POLE CONCRETE FOUNDATION DETAILS

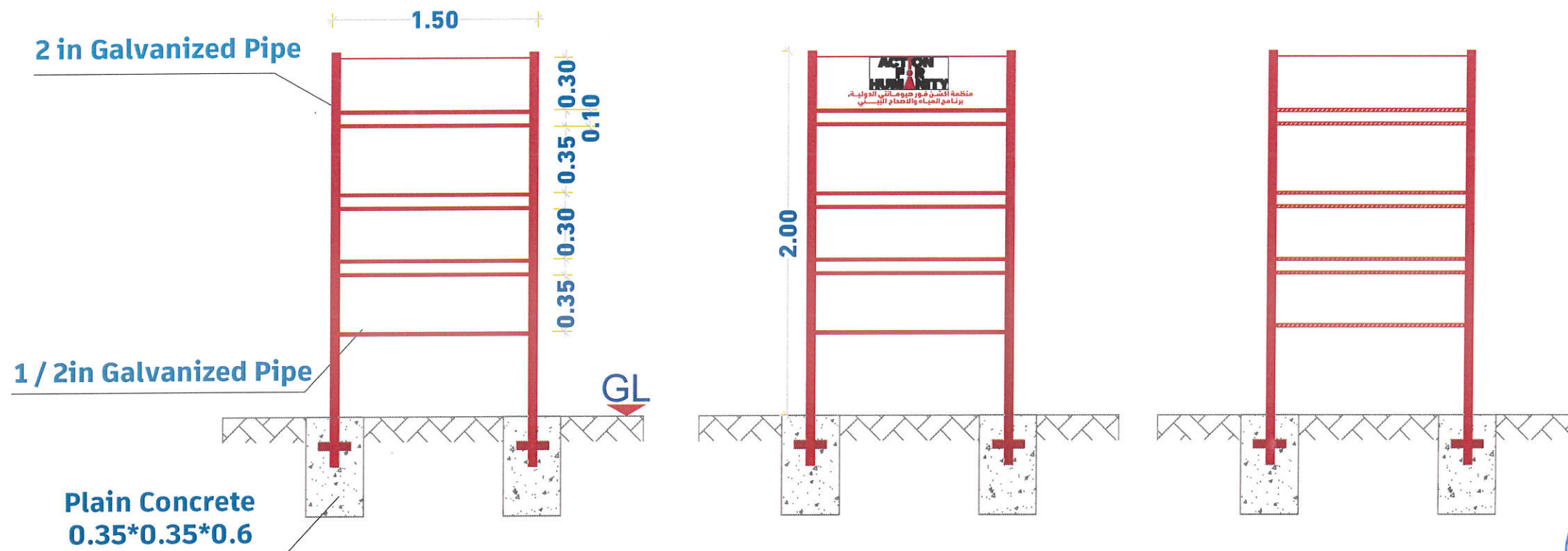


## BASE PLATE DETAIL

## DETAIL - B

PROJECT NAME	Rehabilitation of Al-Urief Water Project		
PROJECT SITE	Bani Al-Huthayfi Al-Haymah Al-Dakhiliyah		
PROJECT NO	1517	SHEET NAME	Sections' Details
DATE	UNIT	SHEET NO	SCALE
2025	M / CM	11 of 20	TO-FIT
DESIGNED BY ENGINEER		APPROVER	
Jamal Masoud		Majed Ali	

# ACTION FOR HUMANITY YEMEN



## BASE PLATE DETAIL

### Notes

- 1- All the dimensions should be checked before execution.
- 2-The main items and details of the drawings have priority to general main items and typical drawings of the structure.
- 3- All the Drawings , BoQs Items should be checked By Contractor with Samaritan Purse's Engineer before execution.
- 4- Unless otherwise mentioned in the drawings and typical detailed drawings, unit of the dimension is meter (m)

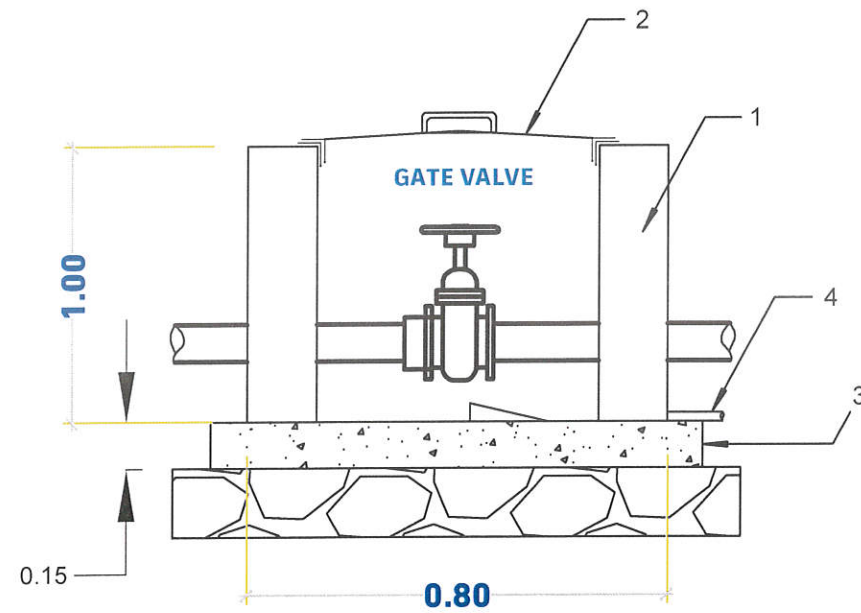
<b>PROJECT NAME</b>	Rehabilitation of Al-Urief Water Project		
<b>PROJECT SITE</b>	Bani Al-Huthayfi Al-Haymah Al-Dakhiliyah		
<b>PROJECT NO</b>	<b>1517</b>	<b>SHEET NAME</b>	Sections' Details
<b>DATE</b>	<b>UNIT</b>	<b>SHEET NO</b>	<b>SCALE</b>
2025	M / CM	12 of 20	TO-FIT
<b>DESIGNED BY ENGINEER</b>		<b>APPROVER</b>	
Jamal Masoud		Majed Ali	

# ACTION FOR HUMANITY YEMEN

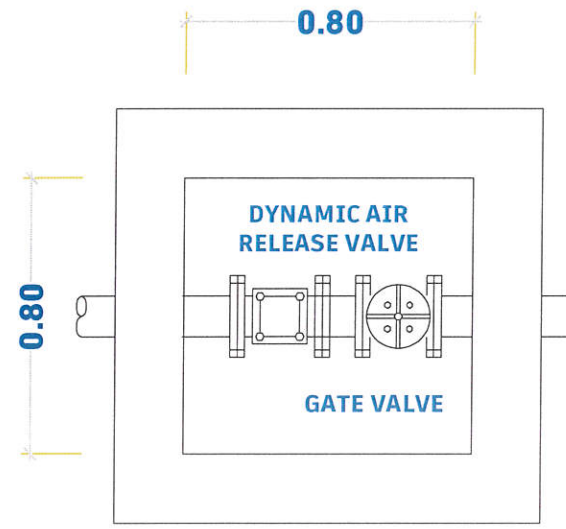
## Notes

Length of the chamber will be adjusted according to the dimensions of the valves ,connections and fitting so the valve shall be positioned with enough space for removing and reinstallation during maintenance .

All dimensions in meter.



**Elevation View Scale 1:50**



**Plan View Scale 1:50**

## Clarification :

- 1- Buildings of solid cement blocks ,size (20\*20\*40) cm.
- 2- Cover made of granulated and reinforced iron with all mounting accessories from Schulman tires 1.5 inch 2 ,mm thick .
- 3- Ordinary concrete with a mixing ratio of 1:3:5(cement :sand:curry) with a thickness of 15cm
- 4- Water drain pipe 1.5inch .

## Notes

1- All the dimensions should be checked before execution.

2-The main items and details of the drawings have priority to general main items and typical drawings of the structure.

3- All the Drawings , BoQs Items should be checked By Contractor with Samaritan Purse's Engineer before execution.

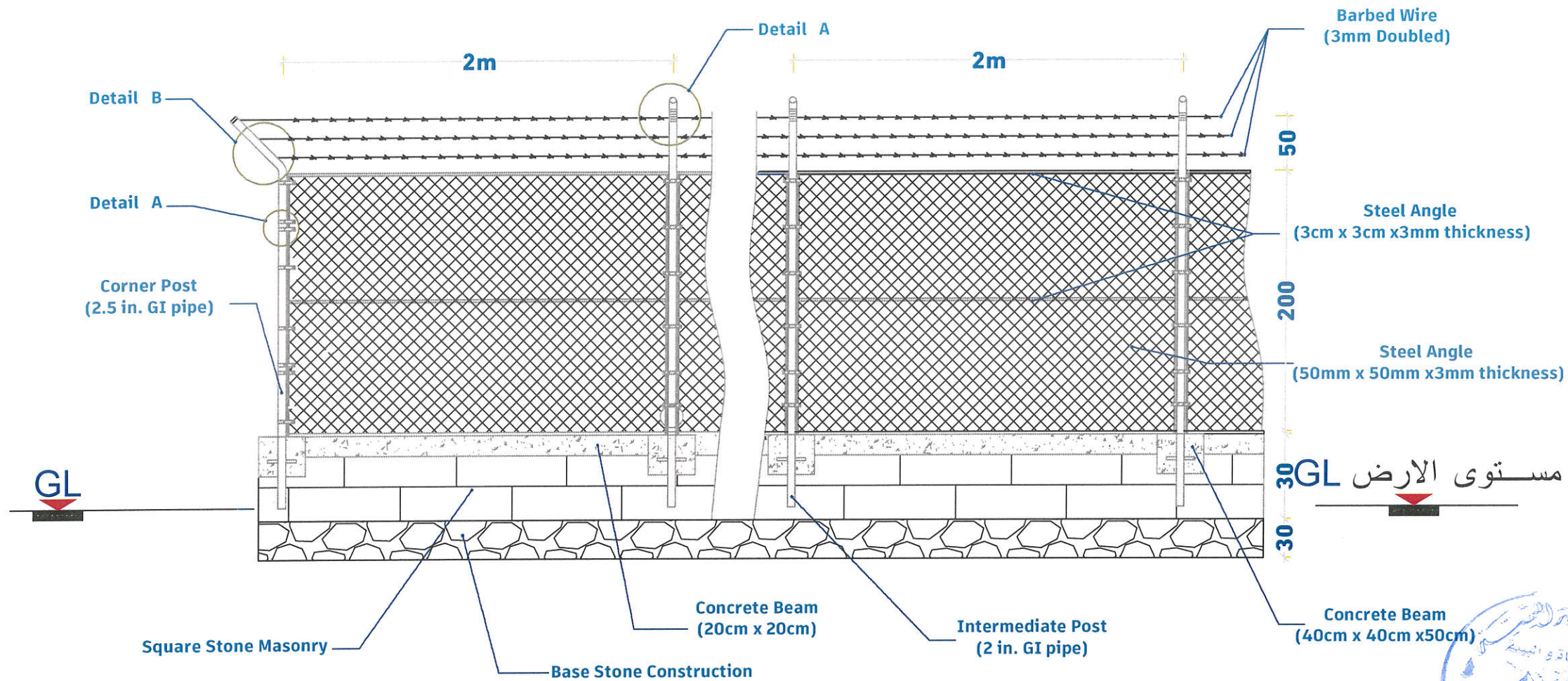
4- Unless otherwise mentioned in the drawings and typical detailed drawings, unit of the dimension is meter (m)

# Valve Room Details



<b>PROJECT NAME</b>	Rehabilitation of Al-Urief Water Project		
<b>PROJECT SITE</b>	Bani Al-Huthayfi Al-Haymah Al-Dakhiliyah		
<b>PROJECT NO</b>	<b>1517</b>	<b>SHEET NAME</b>	Sections' Details
<b>DATE</b>	<b>UNIT</b>	<b>SHEET NO</b>	<b>SCALE</b>
2025	M / CM	13 of 20	TO-FIT
<b>DESIGNED BY ENGINEER</b>		<b>APPROVER</b>	
Jamal Masoud		Majed Ali	

# ACTION FOR HUMANITY YEMEN



## Notes

- 1- All the dimensions should be checked before execution.
- 2- The main items and details of the drawings have priority to general main items and typical drawings of the structure.
- 3- All the Drawings , BoQs Items should be checked By Contractor with Samaritan Purse's Engineer before execution.
- 4- Unless otherwise mentioned in the drawings and typical detailed drawings, unit of the dimension is meter (m)

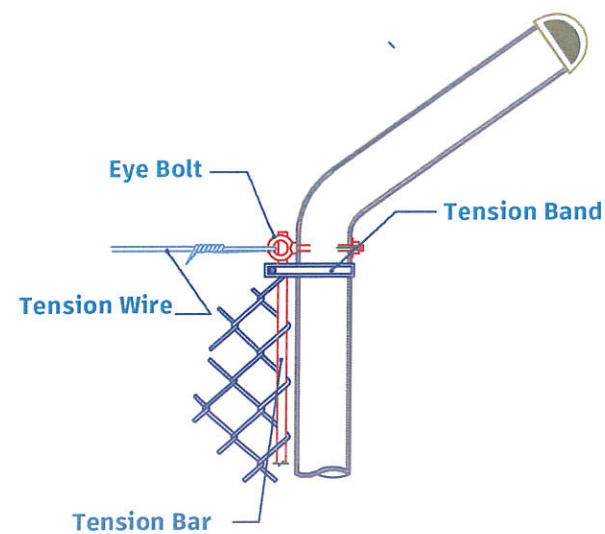


<b>PROJECT NAME</b>	Rehabilitation of Al-Urief Water Project		
<b>PROJECT SITE</b>	Bani Al-Huthayfi Al-Haymah Al-Dakhiliyah		
<b>PROJECT NO</b>	<b>1517</b>	<b>SHEET NAME</b>	Sections' Details
<b>DATE</b>	<b>UNIT</b>	<b>SHEET NO</b>	<b>SCALE</b>
2025	M / CM	14 of 20	TO-FIT
<b>DESIGNED BY ENGINEER</b>		<b>APPROVER</b>	
Jamal Masoud		Majed Ali	

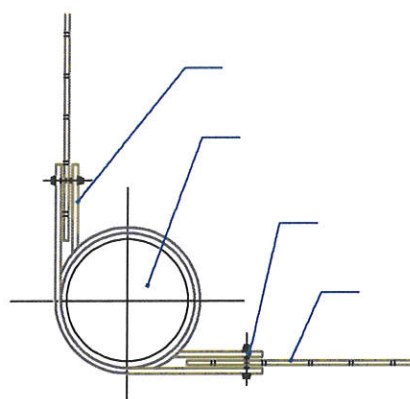
# ACTION FOR HUMANITY YEMEN

## Notes

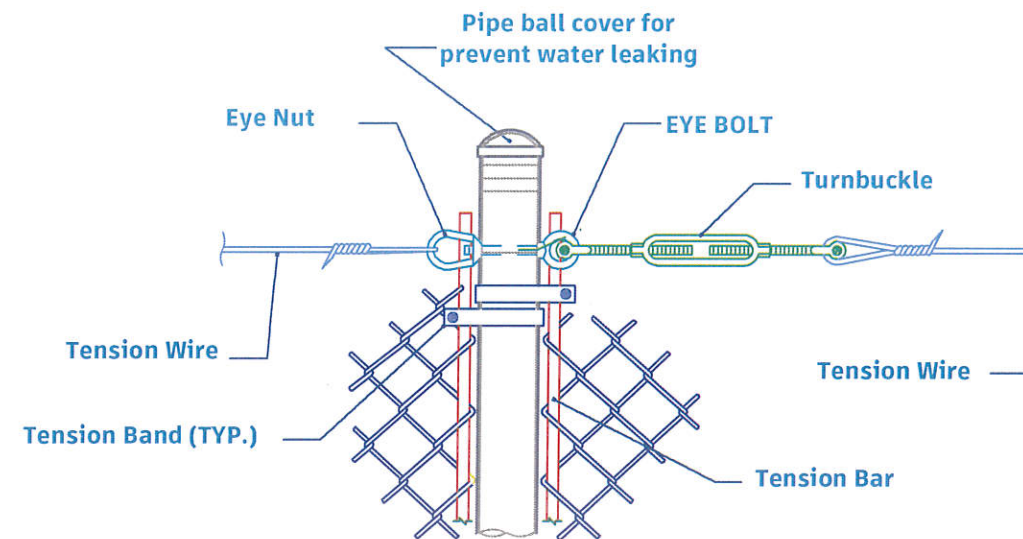
- 1- All the dimensions should be checked before execution.
- 2-The main items and details of the drawings have priority to general main items and typical drawings of the structure.
- 3- All the Drawings , BoQs Items should be checked By Contractor with Samaritan Purse's Engineer before execution.
- 4- Unless otherwise mentioned in the drawings and typical detailed drawings, unit of the dimension is meter (m)



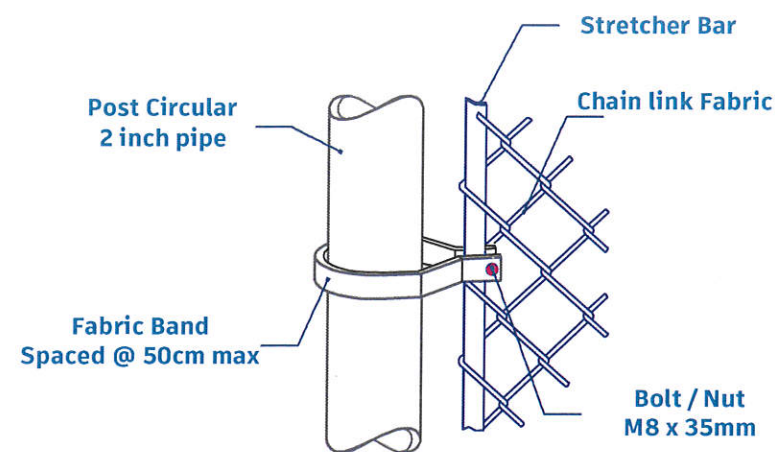
**DETAIL - B  
Corner Post**



**Plan View  
Corner Post pip Tying**



**DETAIL - A  
Middle Post Circular**

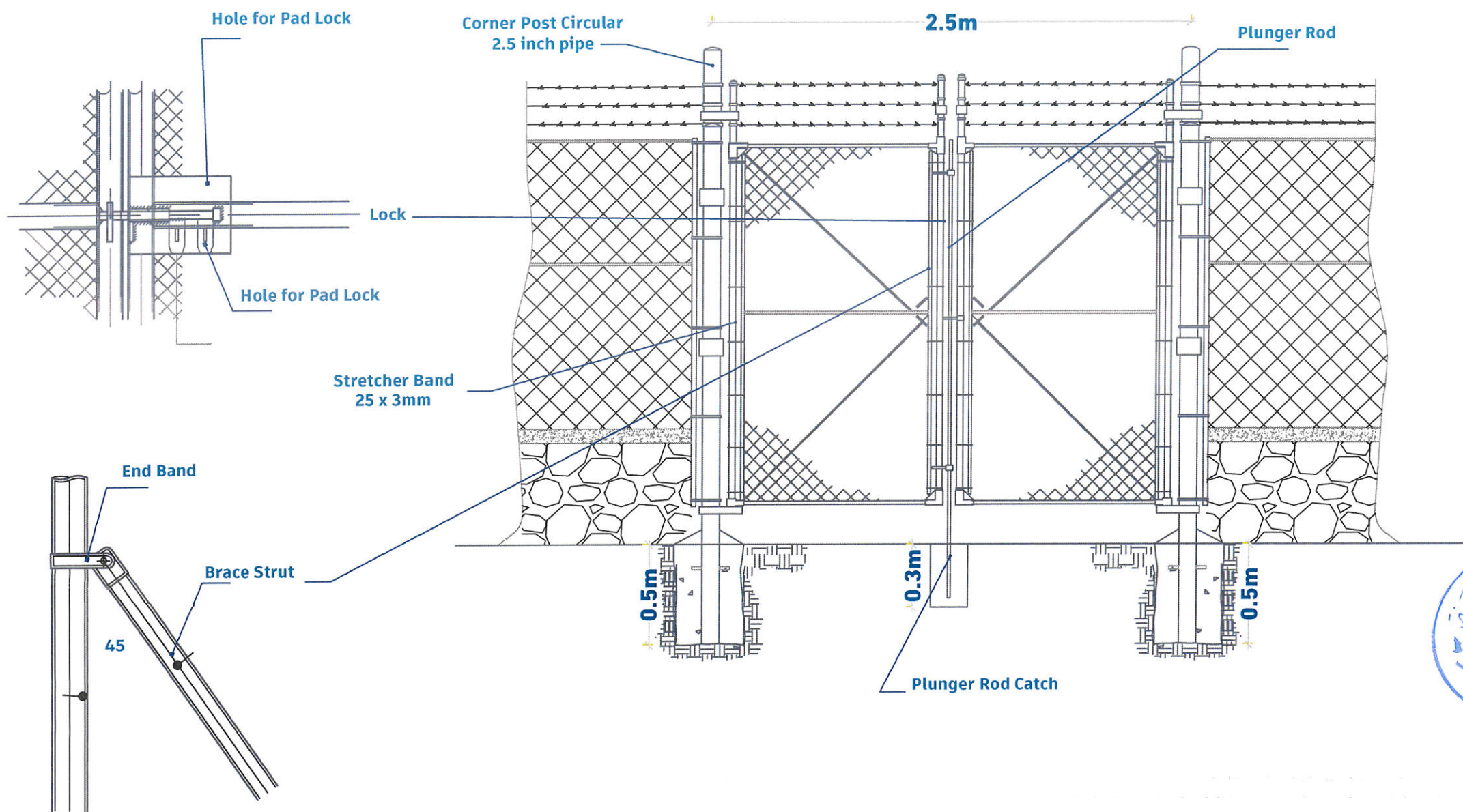


**DETAIL - C  
Stretcher Bar**



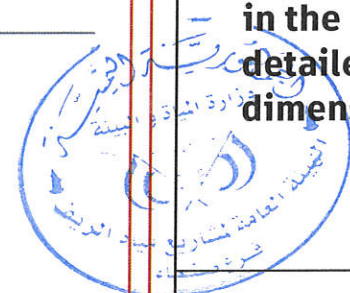
<b>PROJECT NAME</b>	Rehabilitation of Al-Urief Water Project		
<b>PROJECT SITE</b>	Bani Al-Huthayfi Al-Haymah Al-Dakhiliyah		
<b>PROJECT NO</b>	<b>1517</b>	<b>SHEET NAME</b>	Sections' Details
<b>DATE</b>	<b>UNIT</b>	<b>SHEET NO</b>	<b>SCALE</b>
2025	M / CM	15 of 20	TO-FIT
<b>DESIGNED BY ENGINEER</b>		<b>APPROVER</b>	
Jamal Masoud		Majed Ali	

# ACTION FOR HUMANITY YEMEN



## Notes

- 1- All the dimensions should be checked before execution.
- 2-The main items and details of the drawings have priority to general main items and typical drawings of the structure.
- 3- All the Drawings , BoQs Items should be checked By Contractor with Samaritan Purse's Engineer before execution.
- 4- Unless otherwise mentioned in the drawings and typical detailed drawings, unit of the dimension is meter (m)



<b>PROJECT NAME</b>	Rehabilitation of Al-Urief Water Project		
<b>PROJECT SITE</b>	Bani Al-Huthayfi Al-Haymah Al-Dakhiliyah		
<b>PROJECT NO</b>	<b>1517</b>	<b>SHEET NAME</b>	Sections' Details
<b>DATE</b>	<b>UNIT</b>	<b>SHEET NO</b>	<b>SCALE</b>
2025	M / CM	16 of 20	TO-FIT
<b>DESIGNED BY ENGINEER</b>		<b>APPROVER</b>	
Jamal Masoud		Majed Ali	



# ACTION FOR HUMANITY YEMEN

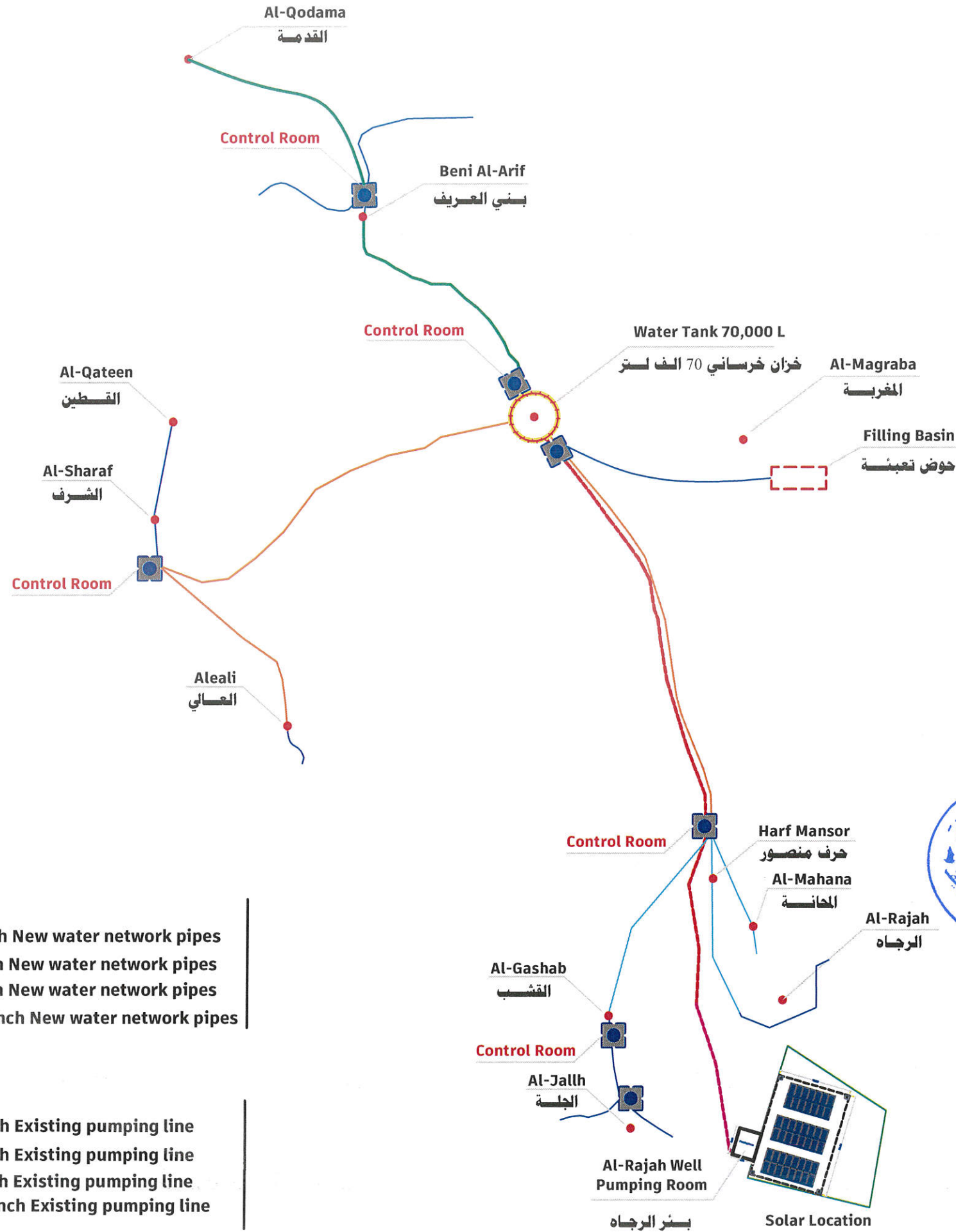
## Notes

1- All the dimensions should be checked before execution.

2-The main items and details of the drawings have priority to general main items and typical drawings of the structure.

3- All the Drawings , BoQs Items should be checked By Contractor with Samaritan Purse's Engineer before execution.

4- Unless otherwise mentioned in the drawings and typical detailed drawings, unit of the dimension is meter (m)



3 إنش خط ضخ جديد  
2 إنش خط إسالة جديد  
1 إنش خط إسالة جديد  
4/3 إنش خط إسالة جديد

3 Inch New water network pipes  
2 Inch New water network pipes  
1 Inch New water network pipes  
4/3 Inch New water network pipes

3 إنش خط ضخ موجود  
2 إنش خط إسالة موجود  
1 إنش خط إسالة موجود  
4/3 إنش خط إسالة موجود

3 Inch Existing pumping line  
2 Inch Existing pumping line  
1 Inch Existing pumping line  
4/3 Inch Existing pumping line

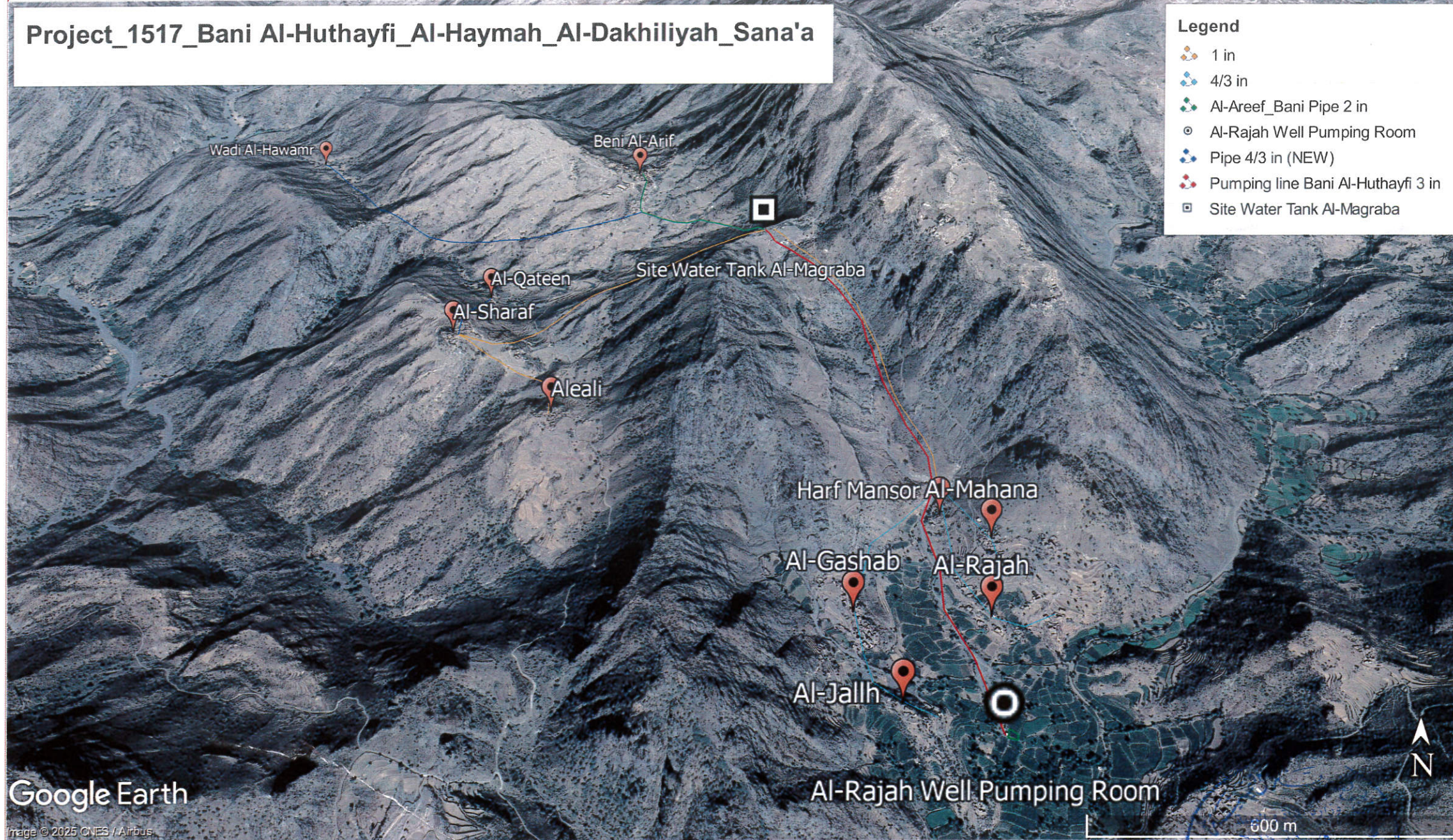
PROJECT NAME	Rehabilitation of Al-Urief Water Project		
PROJECT SITE	Bani Al-Huthayfi Al-Haymah Al-Dakhiliyah		
PROJECT NO	1517	SHEET NAME	Sections' Details
DATE	UNIT	SHEET NO	SCALE
2025	M / CM	17 of 20	TO-FIT
DESIGNED BY ENGINEER		APPROVER	
Jamal Masoud		Majed Ali	

# ACTION FOR HUMANITY YEMEN

Project\_1517\_Bani Al-Huthayfi\_Al-Haymah\_Al-Dakhiliyah\_Sana'a

## Legend

-  1 in
-  4/3 in
-  Al-Areef\_Bani Pipe 2 in
-  Al-Rajah Well Pumping Room
-  Pipe 4/3 in (NEW)
-  Pumping line Bani Al-Huthayfi 3 in
-  Site Water Tank Al-Magraba



## Notes

1- All the dimensions should be checked before execution.

2-The main items and details of the drawings have priority to general main items and typical drawings of the structure.





3- All the Drawings , BoQs Items should be checked By Contractor with Samaritan Purse's Engineer before execution.





4- Unless otherwise mentioned in the drawings and typical detailed drawings, unit of the dimension is meter (m)

Google Earth

Image © 2025 CNES / Airbus



-  3 Inch Existing pumping line
-  2 Inch Existing pumping line
-  1 Inch Existing pumping line
-  4/3 Inch Existing pumping line

-  3 Inch New water network pipes
-  2 Inch New water network pipes
-  1 Inch New water network pipes
-  4/3 Inch New water network pipes

<b>PROJECT NAME</b>	Rehabilitation of Al-Urief Water Project		
<b>PROJECT SITE</b>	Bani Al-Huthayfi Al-Haymah Al-Dakhiliyah		
<b>PROJECT NO</b>	<b>1517</b>	<b>SHEET NAME</b>	Sections' Details
<b>DATE</b>	<b>UNIT</b>	<b>SHEET NO</b>	<b>SCALE</b>
2025	M / CM	18 of 20	TO-FIT
<b>DESIGNED BY ENGINEER</b>		<b>APPROVER</b>	
Jamal Masoud		Majed Ali	

# ACTION FOR HUMANITY YEMEN

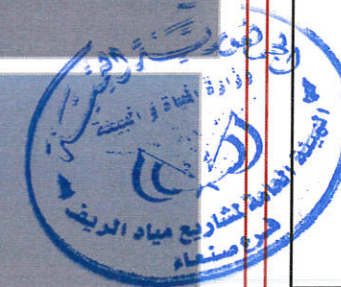
## Notes

1- All the dimensions should be checked before execution.

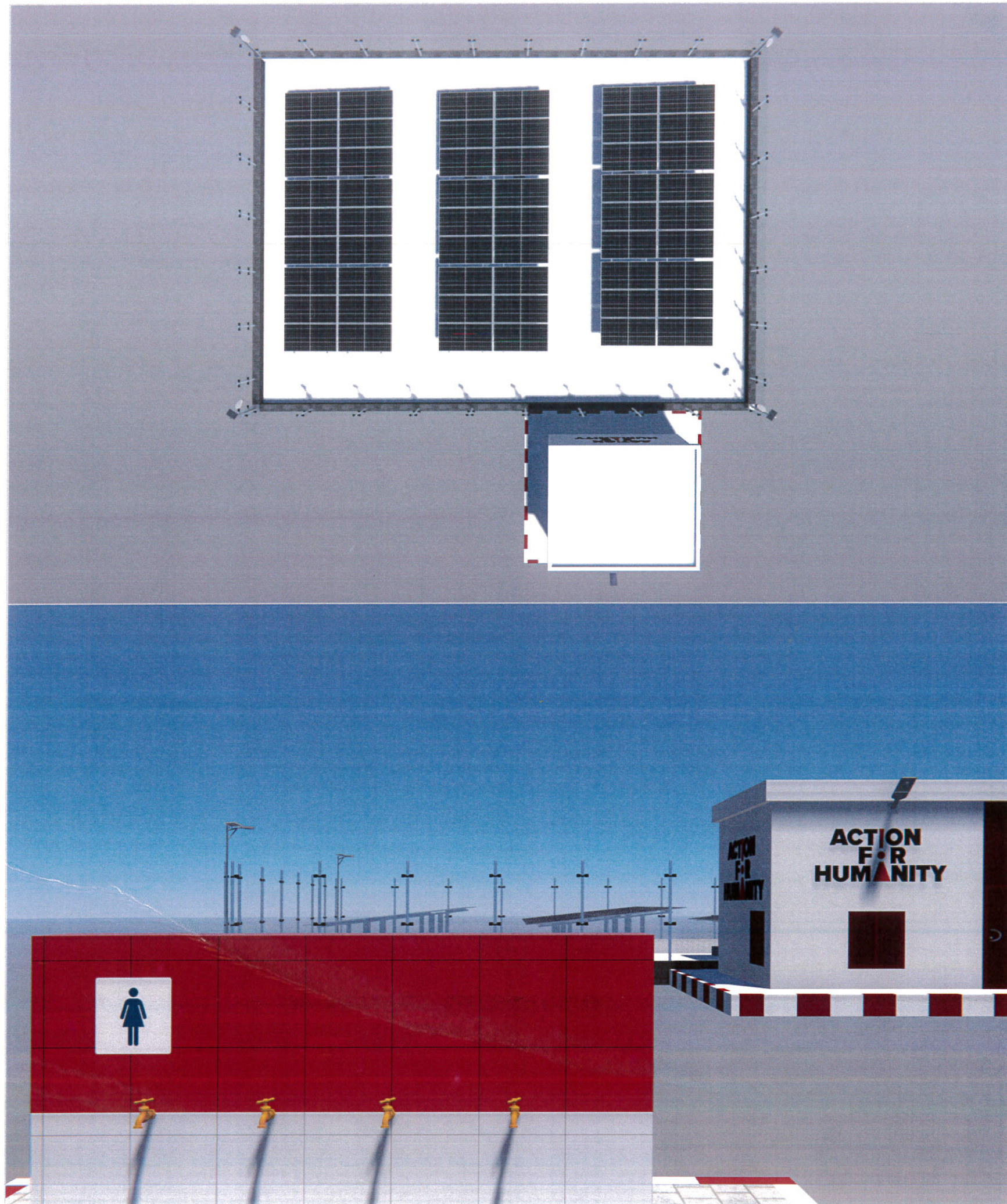
2-The main items and details of the drawings have priority to general main items and typical drawings of the structure.

3- All the Drawings , BoQs Items should be checked By Contractor with Samaritan Purse's Engineer before execution.

4- Unless otherwise mentioned in the drawings and typical detailed drawings, unit of the dimension is meter (m)



<b>PROJECT NAME</b>	Rehabilitation of Al-Urief Water Project		
<b>PROJECT SITE</b>	Bani Al-Huthayfi Al-Haymah Al-Dakhiliyah		
<b>PROJECT NO</b>	<b>1517</b>	<b>SHEET NAME</b>	Sections' Details
<b>DATE</b>	<b>UNIT</b>	<b>SHEET NO</b>	<b>SCALE</b>
2025	M / CM	19 of 20	TO-FIT
<b>DESIGNED BY ENGINEER</b>		<b>APPROVER</b>	
Jamal Masoud		Majed Ali	



# ACTION FOR HUMANITY YEMEN

## Notes

- 1- All the dimensions should be checked before execution.
- 2-The main items and details of the drawings have priority to general main items and typical drawings of the structure.
- 3- All the Drawings , BoQs Items should be checked By Contractor with Samaritan Purse's Engineer before execution.
- 4- Unless otherwise mentioned in the drawings and typical detailed drawings, unit of the dimension is meter (m)



<b>PROJECT NAME</b>	Rehabilitation of Al-Urief Water Project		
<b>PROJECT SITE</b>	Bani Al-Huthayfi Al-Haymah Al-Dakhiliyah		
<b>PROJECT NO</b>	<b>1517</b>	<b>SHEET NAME</b>	Sections' Details
<b>DATE</b>	<b>UNIT</b>	<b>SHEET NO</b>	<b>SCALE</b>
2025	M / CM	20 of 20	TO-FIT
<b>DESIGNED BY ENGINEER</b>		<b>APPROVER</b>	
Jamal Masoud		Majed Ali	

## Action For Humanity Yemen



المعرض الفني لإعادة تأهيل وعمل منظومة ضخ بالطاقة الشمسية لمشروع مياه العريف - عزلة بني الحديفي - مديرية الحيمة الداخلية - محافظة صنعاء  
 Technical Offer for the Rehabilitation and Installation of a Solar-Powered Pumping System for the Al-Areef Water Project -  
 Bani Al-Hudhaifi Subdistrict - Al-Haymah Al-Dakhiliyah District - Sana'a Governorate

### المرفق A نموذج العرض الفني : Annex A

مكونات مواد الإنشاء و شبكة المياه Construction materials and the water network		الوصف Description	مكونات مواد الإنشاء و شبكة المياه Construction materials and the water network	
Pipes GI	High Pressure Raise Pipes		أنابيب الضغط العالي	أنابيب الحديد المجلفن
	Brand and specification		اسم الماركة والمواصفات	
	Connection type		نوع التوصيل	
	Pipes thickness		سمائة المواسير	
	Manufacturing Origin		بلد المنشأ	
	Medium Pressure Pipes		أنابيب الضغط المتوسط	
	Brand and specification		اسم الماركة والمواصفات	
	Connection type		نوع التوصيل	
	Pipes thickness		سمائة المواسير	
	Manufacturing Origin		بلد المنشأ	
Water Network Accessories	Gate Valves		محابس البوابات	ملحقات شبكات المياه
	Brand and specification		اسم الماركة والمواصفات	
	Manufacturing Origin		بلد المنشأ	
	Home water flow meter		عداد تدفق الماء منزلي	
	Brand and specification		اسم الماركة والمواصفات	
	Manufacture Origin		بلد المنشأ	
	Dynamic air valves		صمامات تحرير الهواء الديناميكية	
	Brand and specification		اسم الماركة والمواصفات	
	Manufacture Origin		بلد المنشأ	
	Main Water Meter		عدادات المياه الرئيسية	
Brand and specification		اسم الماركة والمواصفات		
Manufacture Origin		بلد المنشأ		
Knife water tap		حنفية سكين		
Brand and specification		اسم الماركة والمواصفات		
Manufacture Origin		بلد المنشأ		
Reinforced Concrete	Cement		الاسمنت	الخرسانات المسلحة والعاوية
	Reinforcement Steel Origin		بلد المنشأ لحديد التسليح	
Finishing	Salt-Resistant Cement		الاسمنت المقاوم للاملاح	التشطيبات
	Anti-Corrosion Paint		الدهان المقاوم للصدأ	
	Oily Paint		الدهان الزيتي	
	Insulating Paint (Epoxy)		الدهان العازل (الايوكسي)	
	Acrylic Paint		الدهان الاكريليك المقاوم للرطوبة	
	Cramic Tiles		بلاط سيراميك	
	Inspection Chamber with Vent Elbow UPVC, 4-inch		مشن ارضي وكوع رية UPVC قطر 4 إنش ضغط كامل	
	Interlock Pavement Tiles		بلاط ارضية التزلوك	
Any other materials				اي مواد اخرى

### ملاحظات هامة

- يجب إرفاق الكاتالوجات للمواد المذكورة في الجدول أعلاه مع ذكر نوع الموديل والشركة المصنعه والمواصفات الفنية وإرفاق الصور لكل بند حسب الجدول أعلاه لمطابقتها.
- يجب الختم والتوقيع على هذا الملحق مع جميع الأوراق التي سيتم إرفاقها.
- سيتم طلب العينات وفحصها واعتمادها قبل توريدها إلى الموقع وكذلك في موقع العمل قبل البدء وأثناء التنفيذ للمشروع.
- يجب كذلك اعتماد المواد الغير مذكورة في جداول الملحق وفحصها من قبل المهندس المشرف قبل توريدها إلى الموقع.
- في حال تم الإساءة على المقاول فإنه يحق للمنظمة طلب إستبدال بعض المواد إذا وجد أنها رديئة الجودة وغير مطابقة للمواصفات.
- في حالة عدم كتابة أي من البيانات أعلاه او عدم إرفاق الكاتالوجات يتم إستبعاد العطاء.



اسم المكتب الشركة Office/Company name

اسم المخول بالمكتب الشركة

التوقيع والختم

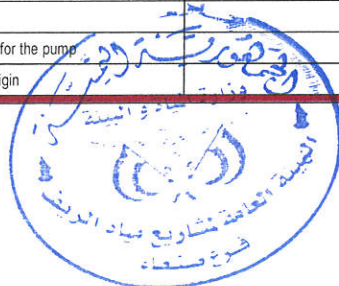
## Action For Humanity Yemen



العرض الفني لإعادة تأهيل وعمل منظومة ضخ بالطاقة الشمسية لمشروع مياه العريف - عزلة بني الحديفي - مديرية الحيمة الداخلية - محافظة صنعاء  
**Technical Offer for the Rehabilitation and Installation of a Solar-Powered Pumping System for the Al-Areef Water Project - Bani Al-Hudhaifi Subdistrict - Al-Haymah Al-Dakhiliyah District - Sana'a Governorate**

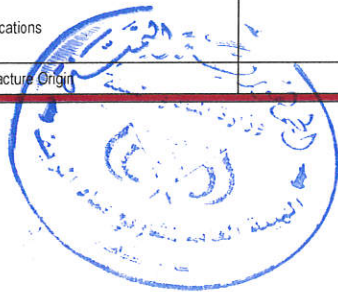
### المرفق B نموذج العرض الفني : Annex B

مكونات مواد منظومة الضخ الشمسية Solar Pumping Unit Materials	الوصف Description	مكونات مواد منظومة الضخ الشمسية Solar Pumping Unit Materials	
<b>Submersible Pump and Motor</b>	Submersible/ motor pump brand	اسم المضخة والموتور	<b>المضخة الغاطسة والمحرك</b>
	Model number for pump	رقم الموديل للمضخة	
	Model number for motor	رقم الموديل للموتور	
	Material of blades	مادة المراوح	
	Pump efficiency	كفاءة المضخة (%)	
	Motor efficiency	كفاءة الموتور (%)	
	Motor temperature	درجة الحرارة للموتور	
	Head (M)	قدرة الرفع للمضخة (بالمتر)	
	Productivity (m3/h)	الإنتاجية للمضخة (م <sup>3</sup> بالساعة)	
	Manufacturing Origin:	بلد المنشأ	
	Warranty	مدة الضمانة	
<b>Inverter</b>	Inverter Brand	اسم الماركة	<b>الإنفرتير (المحول)</b>
	Model Number	رقم الموديل	
	Voltage regular sys.& power	فولتية المحول	
	Ingress Protection Rating (IP)	درجة الحماية من النفاذية (IP)	
	Operation System & sys. Protection	نظام التشغيل والحمايات	
	Manufacturing Origin	بلد المنشأ	
	Output AC Type (Single Phase, 3 phase,...etc.)	نوع التيار المتردد الخارج (سنجل فاز، ٣ فاز)	
	Output Power of the inverter Watt	قدرة المحول (الخارج) بالوات	
	Warranty	مدة الضمانة	
<b>Solar Panels</b>	Solar Panel Brand	اسم الماركة	<b>الألواح الشمسية</b>
	Model Number	رقم الموديل	
	Solar Panel Power for one panel in Watt	قدرة اللوح الواحد (وات)	
	No. of solar panels (total watts).	عدد الألواح ( الإجمالي بالوات)	
	Type (polycrystalline or Mono) and Class	نوع الألواح	
	Power tolerance	تحمل أقصى تفاوت للطاقة	
	Solar efficiency	كفاءة اللوح (%)	
	Manufacturing Origin	بلد المنشأ	
	Heat resistance	قدرة التحمل للحرارة	
	Solar panel test available or not	توفر شهادة الفحص من المختبر	
	Warranty	مدة الضمانة	
<b>Combiner Box</b>	Brand	اسم الماركة	<b>صندوق التجميع</b>
	DC Combiner box inputs no.	عدد دوائر الادخال	
	Ingress Protection Rating (IP)	درجة الحماية من النفاذية (IP)	
<b>DC Cable for Connection Between Panels Combiner Box and Inverter</b>	Model	اسم الماركة	<b>كابل DC ربط بين الألواح وصندوق التجميع والمحول</b>
	Type of the material	مادة التصنيع	
	Specifications	المواصفات	
	Cable diameter for the pump	قطر الكابل	
	Manufacture Origin	بلد المنشأ	
<b>AC Pump Cable</b>	Model	اسم الماركة	<b>كابل المضخة AC</b>
	Type of the material	مادة التصنيع	
	Specifications	المواصفات	
	Cable diameter for the pump and sensor	قطر الكابل	
	Manufacture Origin	بلد المنشأ	
<b>Sensor Cable</b>	Model	اسم الماركة	<b>الكابل الحساس</b>
	Type of the material	مادة التصنيع	
	Specifications	المواصفات	
	Cable diameter for the pump	قطر الكابل	
	Manufacture Origin	بلد المنشأ	



المرفق B نموذج العرض الفني : Annesx B

مكونات مواد منظومة الضخ الشمسية Solar Pumping Unit Materials		الوصف Description	مكونات مواد منظومة الضخ الشمسية Solar Pumping Unit Materials	
<b>Lightning Protection System</b>	Model		اسم الماركة	<b>نظام مانع الصواعق</b>
	Type of the material		مادة التصنيع	
	Specifications		المواصفات	
	Cable diameter for the pump		قطر الكابل	
	Manufacture Origin		بلد المنشأ	
<b>Pressure Sensor</b>	Model		اسم الماركة	<b>حساس قياس الضغط</b>
	Specifications		المواصفات	
	Manufacture Origin		بلد المنشأ	
<b>Street Lighting Lamps</b>	Solar Panel Brand		اسم الماركة	<b>لمبات إنارة شوارع</b>
	Model Number		رقم الموديل	
	Solar Panel Power for one panel in Watt		قدرة اللوح (وات)	
	Type (polycrystalline or Mono) and Class		نوع اللوح	
	Light intensity		شدة الإضاءة	
	Battery quality and range		نوعية والبطارية ومدىها	
	Manufacturing Origin		بلد المنشأ	
	Heat resistance		قدرة التحمل للحرارة	
	Solar panel test available or not		توفر شهادة الفحص من المختبر	
Warranty		مدة الضمانة		
<b>Solar Panel Mounting Brackets</b>	Structure Details		تفاصيل الهيكل	<b>حوامل للالواح الشمسية</b>
	Specifications		المواصفات	
	Manufacture Origin		بلد المنشأ	
<b>Solar Energy System Protection Net</b>	Structure Details		تفاصيل الهيكل	<b>شبكة حماية لمنظومة الطاقة الشمسية</b>
	Specifications		المواصفات	
	Manufacture Origin		بلد المنشأ	
<b>Vertical CO2 Fire Extinguishers</b>	Model		اسم الماركة	<b>طفايات حريق عمودي ثاني اكسيد الكربون CO2</b>
	Type of the material		مادة التصنيع	
	Specifications		المواصفات	
	Manufacture Origin		بلد المنشأ	
<b>Electric Cleaning Machine for Solar Panels</b>	Model		اسم الماركة	<b>آلة تنظيف كهربائية خاصة بالواح الطاقة الشمسية</b>
	Specifications		المواصفات	
	Manufacture Origin		بلد المنشأ	





## Action For Humanity Yemen

العرض الفني لإعادة تأهيل وعمل منظومة ضخ بالطاقة الشمسية لمشروع مياه العريف - مزلة بني الهدفي - مديرية الحيمة الداخلية - محافظة صنعاء  
Technical Offer for the Rehabilitation and Installation of a Solar-Powered Pumping System for the Al-Areef Water Project - Bani Al-Hudhaifi Subdistrict - Al-Haymah Al-Dakhiliyah District - Sana'a Governorate

### المرفق B نموذج العرض الفني : Annex B

مكونات مواد منظومة الضخ الشمسية Solar Pumping Unit Materials	الوصف Description	مكونات مواد منظومة الضخ الشمسية Solar Pumping Unit Materials
Any other materials		أي مواد أخرى

### ملاحظات هامة

- ١) يجب إرفاق الكتالوجات للمواد المذكورة في الجدول أعلاه مع ذكر نوع الموديل والشركة المصنعه والمواصفات الفنية وإرفاق الصور لكل بند حسب الجدول أعلاه لمطابقتها.
- ٢) يجب الختم والتوقيع على هذا الملحق مع جميع الأوراق التي سيتم إرفاقها.
- ٣) سيتم طلب العينات وفحصها واعتمادها قبل توريدها إلى الموقع وكذلك في موقع العمل قبل البدء وأثناء التنفيذ للمشروع.
- ٤) يجب كذلك اعتماد المواد الغير مذكورة في جداول الملحق وفحصها من قبل المهندس المشرف قبل توريدها إلى الموقع.
- ٥) في حال تم الإرساء على المقاول فإنه يحق للمنظمة طلب إستبدال بعض المواد إذا وجد أنها رديئة الجودة وغير مطابقة للمواصفات.
- ٦) في حالة عدم كتابة أي من البيانات أعلاه او عدم إرفاق الكتالوجات يتم إستبعاد العطاء.

اسم المكتب/ الشركة: Office/Company name

اسم الخوّل بالمكتب/ الشركة

التوقيع والختم





Description of work			وصف العمل		
	الوحدة Unit type	الكمية Qty	سعر الوحدة (\$) Unit Price	سعر الوحدة (\$ Total Price	الاجمالي كلياً Total Price (\$)
<p>1. The contractor must visit the site and study the nature of the location, connection methods, and execution of the works according to the technical specifications, drawings, bill of quantities, and instructions from the supervising engineer. The contractor must submit their proposal accompanied by an operation and maintenance manual, a spare parts catalog, and a review of all items, specifications, and quantities. They must independently verify the extent of damage or required quantities and base their pricing on that. The total cost of their bid must include the supply, installation, and testing of the pumping unit, as well as the required civil works, whether listed in the bill of quantities or not, to deliver the project fully operational.</p> <p>2. The contractor's price must include connection, supply, installation, and laboring and on-site testing of all materials, supplies, and installations before and after completing the work for each item.</p> <p>3. For all activities and works, the contractor must, at their own expense, remove all construction or other waste from the site and transport it to the designated location approved by the local authority and the supervising engineer.</p> <p>4. For all activities and works, the contractor must obtain approval for samples and execution methods prior to commencing work.</p> <p>5. For all activities and works, the contractor must remove all materials, supplies, and installations from the site and transport it to the designated location approved by the local authority and the supervising engineer.</p> <p>6. For all activities and works, the contractor's price must include all necessary materials and installations required to complete the work, whether mentioned in the item description or not.</p> <p>7. The contractor must provide samples of all materials for their own expense.</p> <p>المواد المطلوبة للمقاولات:</p> <p>١- يجب على المقاول زيارة الموقع ودراسة طبيعة الموقع وطرق التوصيل والتوريد والاتصال ودراسة طبيعة الموقع وقول التوصيل للتأكد من جودة العمل والمواد اللازمة للاستهلاك.</p> <p>٢- يجب ان يتضمن سعر المقاول اتصال التوصيل والتوريد واتصالات سمر المقاول على الأشظمة والاصال يجب ان يكون جميع المواد والتوريدات والتوريدات ذات نوعية وجودة عالية وان تكون الخاضعة الى انه جميع مقادير البناء في توصيف البند.</p> <p>٣- لجميع الاعمال والاشظمة يجب ان يكون جميع المقاول جميع المواد والتوريدات وجميع المقادير المخصصة في مكتب المنظمة بعد توقيع المشرفة في الموقع المعتمدة.</p> <p>٤- لجميع الاعمال والاشظمة يجب ان يتضمن سعر المقاول جميع المواد والتوريدات وجميع المقادير المخصصة في مكتب المنظمة بعد توقيع المشرفة في الموقع المعتمدة.</p> <p>٥- لجميع الاعمال والاشظمة يجب ان يتضمن سعر المقاول جميع المواد والتوريدات وجميع المقادير المخصصة في مكتب المنظمة بعد توقيع المشرفة في الموقع المعتمدة.</p> <p>٦- لجميع الاعمال والاشظمة يجب ان يتضمن سعر المقاول جميع المواد والتوريدات وجميع المقادير المخصصة في مكتب المنظمة بعد توقيع المشرفة في الموقع المعتمدة.</p> <p>٧- على المقاول المقدم بتقديم عينات لجميع المواد لاعتمادها من قبل المهندس المشرف في مكتب المنظمة بعد توقيع المشرفة في الموقع المعتمدة.</p>	NO	1			
	<p><b>محول المضخة الشمسية:</b>  <b>Solar Pump Inverter:</b>                      Supply, installation, inspection and operation of a regulator and transformer suitable for working with both types of current DC / AC and the price includes all that is necessary to implement the item and the required specifications in the switching and tracking device for the maximum power of the panels.                      المحولة في التحول والتي تحتوي على لوحة شمسية ذات قدرة الخرج ١٠٥٠ و ١٠٥٠ (١) ومبدأ وسيل المحية الشمسية وحساس مستوى الماء.                      الطاقة في التحول والتي تحتوي على لوحة شمسية ذات قدرة الخرج ١٠٥٠ و ١٠٥٠ (١) ومبدأ وسيل المحية الشمسية وحساس مستوى الماء.                      - The power of the inverter must be &gt;= (power of the submersible electric motor x 1.5) and it has the protections for the engine and the inverter level of sensor.                      - The contractor must submit manufacturer warranty for inverter for a period not less than 2 years Manufacturer by European International Standards or any equivalent.                      - The inverter should be operable with a DC solar energy system during the day and an AC system with public energy or generator energy during the night. And not through the traditional control dashboard, in order to ensure the operation of all the protections equipped with the inverter during operation at night.                      - There must be a mechanism to prevent the entry of two sources of energy to ensure any interference between public electricity and solar energy (Reverse Power Protection) A/C &amp; DC.                      - Protection of Enclosure is not less than IP-55 and placing the inverter inside a protection cabinet.                      - Works on a system voltage of DC input voltage of not less than 800 volts, an efficiency of not less than 95%.                      - Includes all the necessary accessories inside the control room and make the necessary bases and screws with isolating exits and entrances to and from the control box and solar panels. All work is done according to directions of the Supervising engineer.</p>				

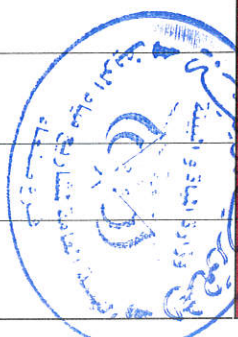
**أعمال الضخ بالطاقة الشمسية**  
**Solar Pumping Works**

**مضخة غاطسة ومحرك :**  
**Submersible Pump and Motor:**  
 Supply, Installation, Operation, and Testing of a Submersible Pump (Bronze/Stainless Steel Impellers) with a Removable Submersible Electric Motor.  
 الإلتحاطية ٢,٢ لتر/لثانية  
 الإنتاج الغاطس ٣٥٠ م  
 طول خط الضخ ١٨٥٠ م قطر ٣ إنش  
 (على ان لا تقل قدرة المحرك عن ١,٢ قدرة المضخة وعازلية المحرك PE2PA, وفي حال الاحتياج لفترة اكير يتم ذلك بناء على قدرة مصنع الشركة الصانعة) وعلى ان تكون مقرونة للماء والمطر IP68 وتتحمل درجة حراره ٥٠ درجه مئوية وتعمل بشكل مستمر وتحتوي المضخة وتخرجه لمده اقل من ٢٤ ساعة ويمكن ساعة على الاوى ويتم استلامها بعد التفتيش والمقابلة من قبل العميل والمواد المطلوبة وجميع ما يلزم لإتمام العمل حسب المواصفات المرفقة والمواصفة الفنية قبل التوريد من قبل المهندس والمشرف.  
 Components, materials, and works to complete the item as per the specifications and written approval of the supervising engineer prior to supply.





Description of work	وصف العمل	الوحدة Unit type	الكمية Qty	سعر الوحدة (\$) / Unit Price	سعر الوحدة Unit Price	الإجمالي (\$) / Total Price
<p><b>لمبات إنارة شمسية :</b>  <b>توريد وتركيب لمبات إنارة لمحوش الواح</b> ، شامل جميع المكونات اللازمة للتثبيت كالتالي:-          - لوح الشمسية 180 وات          - بطارية ليثيوم 12.6 فولت مع حصيل الضوء وحساس الحركة .          - جهاز الإنارة الخارجي مصمم على درجة الحرارة لا تقل عن 12665 ، درجة حرارة اللوح 3000K - 5000K          - درجة حرارة التشغيل : لا تقل عن 10 درجة          - يجب أن تكون قبة ألواح والبطارية قادرة على تشغيل اللبنة لأكثر من 12 ساعة على الأقل          - جودة العضاة لا تقل عن 1000 تومن/أوات ، بعد ساعات التشغيل لا تقل عن 30000 (H).          - الشهادات : إضافة أي شهادات مثل (CE, RoHS)          - واللبن يشمل توريد وتركيب منظورة قطر 3 ، إثنى من الحديد المجلفن مسطحة ؛ ثم وتثبيت على قاعدة خرسانية تحت الأرض          - تعتمد كل المواد قبل التوريد من المهندس المشرف ، ومع كل ما يلزم لإجهاه العمل بالبنية وحسب تعليمات المهندس المشرف</p>	<p><b>Street lighting Lamps:</b>          Supplying and installing light bulbs for the panels' yard, including all accessories needed for installation. As follows:-          Solar panel: 180 watts          - The battery is lithium 12.6 volts with a light sensor and a motion sensor          - The external lighting device is designed with a degree of protection not less than IP65, Color Temperature 3000-5000K          - The battery capacity and solar panel are able to operate the led light more than 12 hours .          - The lights lumen not less than (100)(lumen/watt) and operation time not less than (30000 H).          Operating temperature: not less than 60 degrees          Certificates: add any certificates such as (CE, RoHS)          The price includes supply and installation of a 3 inch galvanized with thickness of 4mm and mounted on a concrete structure (30*30*30)          - All materials shall be approved before supply by the supervising engineer, and with everything necessary to finish work on the item and according to the instructions of the supervising engineer</p>	LS	5			
<p><b>توريد وتركيب آلة تنظيف كبر بالية خاصة بالواح الطاقة الشمسية:</b>  <b>توريد وتركيب وتنظيف مساندة تنظيف خاصة بتنظيف الواح الطاقة الشمسية</b> وبمطابق ما يكون جيدة الصنع وذات مواصفات عالية وذات حجم مناسب ، والسعر يشمل التوريد والتركيب وعمل مصدر تغذية الكهرباء الآلة الخاصة بالتنظيف ، يجب اعطاء العينة قبل التوريد</p>	<p><b>Supply and Installation of an Electric Cleaning Machine for Solar Panels:</b>          Supply, installation, and operation of a cleaning machine specifically designed for cleaning solar panels. The machine should be of good quality, with high specifications and appropriate size. The price includes the supply, installation, and provision of power sources for the cleaning machine. The sample must be approved before supply.</p>	NO	1			
<p><b>توريد وتنفيذ شبكة حماية إنقذمة الطاقة الشمسية:</b>  <b>توريد وتنفيذ شبكة حماية إنقذمة الطاقة الشمسية</b> بحيث لا تزيد مساحته مغطيه عن 30م<sup>2</sup> ، سم 3 ، سم 3 ، سم 3 ، ارتفاعه الصافي من الأرض من 2م ، وسمك الشباك بشكل جيد ويتم تثبيت الشباك بالصدمة من مواسير الحديد مجلفن قطر 2 إثنى مسافة 1.8 متر بواسطة وصلات حديد مسطحة على المواسير كل 20 سم على طول ارتفاع حديد مجلفن قطر 2 إثنى مسافة 1.8 متر ، ويتم دهان الأصدمة بدهان مقاوم الصدأ ، وسد المواسير من الأعلى بواسطة مونة مستحبة لمنع دخول الأمطار ، والعمل يشمل تثبيت صاج من الحديد بالبعد لا يقل عن 10 سم تحت فيه يشمل المنطقة مع العلاء بلون الشمر وحسب تعليمات المهندس المشرف ، واللبن يشمل تنفيذ باب من نفس مواد السبواج (إطار من المواسير ومقده باليسابو) بارتفاع 2.5 متر مع الأصدمة ، وكل ما يلزم ، وإعمال الكهر بروتاز والجعم 30 سم من حادها مكان التواجد ، واللبن من حفر 2.5 متر مع الأصدمة ، وإعمال الكهر بروتاز وإعمال تصريف المياه حول الموقع وحول حفره بعمق 60 سم ، وتثبيت جميع الأصدمة بإعادة خرسانية بعمق 70 سم وعرض 10 سم بنسبة 1:3 ، وإزالة يشمل الزين مرينين في اليوم لمدة لا تقل عن ثلاثة أيام والسعر يشمل عمل لوحات تخزينية مغطيه على طول السبواج ، وعمل جميع ما يلزم لإجهاه البنية وحسب الرسومات والمواصفات الفنية وتعليمات المهندس المشرف</p>	<p><b>Supply and Installation of Protective Mesh for the Solar Power System:</b>          Supply and installation of a plastic-coated steel protective mesh with a thickness of 3 mm around the solar panels, ensuring that the mesh opening does not exceed 3.5 cm x 3.5 cm. The net height from the ground should be 2.5 meters, and the mesh should be tightly stretched. The mesh will be fixed to columns made of galvanized steel pipes with a diameter of 2 inches and a thickness of 1.8 mm, using flat iron connectors welded to the pipes every 20 cm along the column's height. The distance between the columns should not exceed 2 meters. The columns will be painted with anti-rust paint, and the top of the pipes will be sealed with cement mortar to prevent rainwater entry. The work also includes installing a steel sheet with dimensions no less than 1.5 m x 1 m, where the organization's logo will be engraved and painted in the logo's color, according to the supervising engineer's instructions. The price includes the construction of a gate made from the same materials as the fence (pipe frame covered with mesh) with a width of 2.5 meters, complete with hinges, a lock, and all necessary components. Excavation works will be carried out to a depth of 60 cm and width of 60 cm, except for the foundation areas. The construction will be of stone masonry with 60 cm square blocks, double-faced with joints and a frame. Water drainage will be managed around the site, and earth barriers will be placed. All columns will be fixed to a concrete base with dimensions of 60 cm depth and 60 cm width, with a concrete mix ratio of 1:2:3. The work includes watering twice a day for at least three days. The price includes all necessary tasks to complete the item according to the drawings, technical specifications, and the instructions of the supervising engineer.</p>	LM	72			
<p align="center"><b>Total Solar pumping works(\$)</b>  <b>إجمالي أعمال الضخ بالطاقة الشمسية (\$)</b></p>						



Description of work		وصف العمل		الوحدة	الكمية	سعر الوحدة (\$)	سعر الوحدة (\$)	الإجمالي (\$)	الإجمالي (\$)
Description of work		وصف العمل		Unit type	Qty	Unit Price	Unit Price	Total Price	Total Price
<b>إعادة تأهيل البئر وقرية التحكم والتغذية</b>									
<b>Rehabilitation of the Well and the Control and Operation Room</b>									
	ترسيم غرفة ضخ أبعاد خارجية 4.4*5.4*3.6 متر.								
	<b>تثبيت الرفع مع اسير حديد محظف داخل البئر:</b> توريد وتركيب مواسير حديد محظف بقطر 3" ارتفاع 3.6 متر. توصيل قفلن (طبقا للمواصفات الأمريكية أو ما يعادلها) مع ASTM A53 G-A) أو BS EN 10255 مع جميع المنطقت داخل البئر. ترعيه ممتازة ومن شركة معتمدة مع اقراوع تركيب القفلن عليها وقاعدة طرفية تربط مع مواسير الضخ مع كل ما يلزم تركيبها وتثبيتها مع كامل اجزاء المنظومة ومع كل ما يلزم من المواسير والحماص وغيرها الا ان لا توصيل بخط الضخ وعمل جميع ما يلزم لإيهاء العمل على اكمل وجه حسب الرسومات والمواصفات والقياس الفنية والمصنعية والشروط والتعليقات وتوجيهات المهندس المشرف.			M11.	42				
	<b>أعمال تركيب الأسقف وجدران الغرفة:</b> توريد وتثبيت وتلميع وترسيم التبيسة الجدران الغرفة ولصوف الترافق والابواب والاضراح للجدران الداخلية والخارجية مع الكرتون والشن ويضمن إزالة جميع الترسبات الاستثنائية المتراكمة وعمل شبكة للتفوق وإعادة الترسبات بالمونة الإسمنتية سمكها 1 سم وبنسبة خلط ( 3 : 1 ) : 3 اسمنت : رمل) . والرطب ثلاث مرات في اليوم لمدة ثلاثة ايام والعمل على ازالة الترسبات القديمة التبيسة المتراكمة وعمل جميع ما يلزم لإيهاء العمل على اكمل وجه حسب المواصفات والاصول القياسية والمصنعية والشروط والتعليقات وتوجيهات المهندس المشرف.			M12	50				
	<b>أعمال الدهان الاكبريليك المقوى للسطح الخارجي والداخلي:</b> توريد وتطبيق وعمل دهان اكريليك مقوى للسطح الجدران الغرفة والداخلية والسقف بحسب اللون المطلوب من المهندس والشن ويضمن عمل ثلاثة اوجه داخلية والسقفية وعمل جميع ما يلزم لإيهاء العمل على اكمل وجه حسب المواصفات والاصول القياسية والمصنعية والشروط والتعليقات وتوجيهات المهندس المشرف.			M12	120				
	<b>أعمال صيانة ومعاينة الابواب النحاسية:</b> صيانة ومعاينة الابواب النحاسية والظروف والشبك الحديدية والشن ويضمن التثبيت الجيد والصنفرة والدهان ووجه ضد الصدا وورجنتين من الدهان الزين حسب اللون المطلوب ويضمن التفتك كل ما يلزم من مطاق ومقايض ومعدلات مع معاينة وتركيب بديل النحاس أو التالف وعمل جميع ما يلزم لإيهاء العمل على اكمل وجه حسب المواصفات والاصول القياسية والمصنعية والشروط والتعليقات وتوجيهات المهندس المشرف.			M12	17				
	<b>أعمال صيانة ومعاينة الابواب النحاسية:</b> Maintenance and inspection of doors, windows, and iron mesh. The price includes proper fixing, sanding, applying one coat of anti-rust paint, and performing oil-based paint in the color specified by the engineer. The item includes all necessary components, such as for hinges, and hinges, as well as inspecting and replacing any missing or damaged parts. All tasks must be completed in accordance with specifications, technical and manufacturing standards, conditions, instructions, and directives of the supervising engineer.			M12	17				



Description of work		وصف العمل		الوحدة Unit type	الكمية Qty	سعر الوحدة (\$) Unit Price	سعر الوحدة كميات (\$) Unit Price	الإجمالي (\$) Total Price	الإجمالي كميات (\$) Total Price
18	<p><b>أعمال صيانة سقف الغرفة:</b>  <b>إعمال صيانة سقف الغرفة:</b>                      توفير وتثبيت طبقة عزلية مع طبقة استميتية لزوم السطح المسلح التربة وتشم تنفيذ طبقة عزلية معزولة مع طبقتين عزل لبيوكسي ومونة استميتية للتبول بمتوسط سماكة (٥-٢ سم مع شبك الحديد حادين (٥+٥ سم ونبية استميتية، مع إجراء الاختبارات اللازمة، للحصول على السمول المناسب للثباتية الدراب، والتي يشتمل على صنف من البيوك الاستميتي المخرق حادين ٥٠١٠، تسم لزوم التربة وتثبيتها بالخرقة الاستميتية وصل خرزاي لتصريف مياه الأمطار وصل كل ما يلزم لإجراء الشد طبقا للمواصفات الفنية وأصول الصنعة وتعليمات المهندس المشرف.</p>	<p><b>Maintenance Work for the Room Ceiling:</b>                      Supply and execution of a waterproofing layer with a cement layer to create slopes for the reinforced concrete roof of the room. This includes the application of a waterproofing system consisting of two layers of epoxy coating and a cement mortar layer for slopes with an average thickness of (2-5 cm), reinforced with steel mesh (5x5 cm) and a cement slitting. The work includes performing the necessary tests to achieve the proper slope towards the drain. The price also includes constructing a row of perforated concrete blocks (15x40 cm) at the ridge, plastered with cement mortar, and installing a drainpipe for rainwater disposal. All necessary tasks must be performed to complete the item in accordance with technical specifications, craftsmanship standards, and the instructions of the supervising engineer.</p>	M2	25					
19	<p><b>عداد تدفق الماء:</b>                      توفير وتركيب عداد تدفق الماء قطر ٣ انش، نوع مطوق، مستوى القراء من ٥٠ إلى ٥٠٠ مليلتر / دقيقة، درجة حرارة ٥٠ درجة، وضغط التشغيل ٢٥ بار، ٢ فتحات بترولية مستطدة إيطالي أو ألماني أو مشابهه بترجة الورني، التي يشتمل كل ما يلزم بحسب المواصفات وتعليمات المهندس المشرف.</p>	<p><b>Water Flow Meter:</b>                      Supply and installation of a 3-inch open-type water flow meter with a reading range of 50 to 500 milliliters per minute, temperature resistance up to 50°C, and an operating pressure of 25 bar, including two flanges. The meter must be of excellent quality, first grade, Italian or German make, or equivalent. The price includes all necessary components as per specifications and the instructions of the supervising engineer.</p>	NO	1					
20	<p><b>مخمس بوابة بكتال قطر ٣ انش:</b>                      توفير وتركيب مخمس بوابة بكتال، قطر ٣ انش مضط (٢٥) بار صنع إيطالي أو ما يكافئها نوعاً مستطد أو دبل فتحة، والمسر ويشتمل كافة مستلزمات التركيب بحسب المواصفات الفنية والأرصومات وتعليمات المهندس المشرف.</p>	<p><b>Ductile Gate Valve-3-inch Diameter:</b>                      Supply and installation of a ductile gate valve, 3-inch diameter, with a pressure rating of 25 bar, Italian-made or equivalent, of excellent quality, double flange type. The price includes all installation accessories as per technical specifications, drawings, and the instructions of the supervising engineer.</p>	NO	3					
21	<p><b>مسام عذر رجوع قطر ٣ انش:</b>                      توفير وتركيب مسام عديم رجوع قطر ٣ انش ، بكتال، دبل فتحة، دبل ضغط ٢٥ بار نوعاً مستطد إيطالي أو ألماني أو مشابهه درجة الورني يشتمل كل ما يلزم بحسب المواصفات وتعليمات المهندس المشرف.</p>	<p><b>Non-Return Valve-3 Inches:</b>                      Construction of a 3-inch non-return valve, ductile, double flanged, with a pressure rating of 25 bar, of excellent quality, Italian or German-made, or equivalent, first grade. The price includes all necessary components as per specifications and the instructions of the supervising engineer.</p>	NO	4					
22	<p><b>صيف حول غرفة التحكم والتشغيل:</b>                      تنفيذ صيف حماية حول الخزان يواضع ٨٠٠ سم ارتفاع ٤٠ سم عن مستوى سطح الأرض وذلك بالطريقة التالية:                      ١- إنشاء الخجر رصيف غرسانية (بدرجات) (15 × 50 × 40) سم بتروية استميتية مطروبة.                      ٢- زبد ودمك مساحية الرصيف بطبقة ١٠ سم من التربة اللطيفة.                      ٣- تنفيذ طبقة من الحجر الصوانع والرملية المقوية للأصلاح بسبك ٢٠ سم مع فرجة السطح العلوي.                      ٤- تنفيذ طبقة حصى صغيرة (حصى) بسبك ٥ سم.                      ٥- تجليط فراص صيف بلاطة التوك باستخدام مونة استميتية مطروبة بشمية كلف (٣ : ١) (استميت: رمل).                      ٦- عمل فراص ملد على ٣ انتر وتثبيتها بالخرق المسانف (الاصطك أو الرابل.                      ٧- عمل فراص ملد على ٣ انتر وتثبيتها بالخرق المسانف (الاصطك أو الرابل.                      ٨- عمل فراص ملد على ٣ انتر وتثبيتها بالخرق المسانف (الاصطك أو الرابل.                      ٩- عمل فراص ملد على ٣ انتر وتثبيتها بالخرق المسانف (الاصطك أو الرابل.                      السعر يشمل جميع الأعمال المطلوبة وحسب المواصفات والتعليمات المهندس المشرف.</p>	<p><b>Pavement Around the Concrete Tank:</b>                      Construction of a protective pavement around the tank with a width of 80 cm and a height of 40 cm above ground level, as follows:                      (Construction of concrete curb stones (40 × 50 × 15) cm using resistant cement mortar.                      Backfilling and compacting the pavement area with a 10 cm layer of clean soil.                      Laying a 20 cm layer of sorting stone and salt-resistant concrete with a finished top surface.                      Adding a 5 cm layer of small gravel (Helsol).                      Paving the pavement with interlocking tiles using resistant cement mortar at a mix ratio of (3:1) (cement: sand).                      Creating expansion joints every 3 meters, filled with hot bitumen (asphalt) and sand.                      The price includes all required works as per the drawings, specifications, and instructions of the supervising engineer.</p>	M2	15.7					
<b>Total Rehabilitation of the Well and the Control and Operation Room(\$)</b>									



**إجمالي أداة تاهيل البئر وغرفة التحكم والتشغيل (\$)**

Description of work		الوحدة Unit type	الكمية Qty	سعر الوحدة (\$) Unit Price	سعر الوحدة كالتالي (\$) Unit Price	الإجمالي (\$) Total Price	الإجمالي كالتالي (\$) Total Price
<b>إعادة تأهيل الخزان الخرساني</b>							
<b>Rehabilitation of the Concrete Tank</b>							
23	<p><b>إعداد من التبريد جدران الخزان الخرساني:</b>                      1- توريد وتثبيت غطاء من الفيربرلاس لفتح سقف الخزان الخرساني بطول = 8.0 متر ، عرض = 4.0 متر ، وضغط عالي والتيين يشمل التثبيت بترزيع السباح جديد وبالطريقة الاستثنائية و كل ما يلزم لإتمام التند بحسب المواصفات وتعليمات المهندس المشرف .</p> <p><b>صريف حول الخزان الخرساني:</b>                      تنفيذ صريف حديدي حول الخزان بوضوح 8.0 متر وارتفاع 4.0 متر عن مستوى سطح الأرض وذلك بالآتي:                      1- إنشاء الحفر وصيف خرساني ( بعمق 40 ) ( 50 × 15 ) متر بعمق استثنائية ، حقاوية .                      2- ردم وتمتد مساحة الصريف بطبقة 10 سم من التربة اللينة .                      3- تنفيذ طبقة من الحجر الصوانج والرغوة المقوية للأحلاج بسبك 20 سم مع فرشجة السطح المطري .                      4- تنفيذ طبقة حصى صلبة ( طين ) بسبك 5 سم .                      5- طبقة الرصف بطلاء التتر لوك باستخدام مونة استثنائية مقوية بنسبة خلط ( 3 : 1 ) ( اسمنت : رمل ) .                      6- عمل فراصن تمدد كل 3 متر وتثبيتها بالخرسانة (الاسفلت أو الرمال .                      7- عمل فراصن تمدد على 3 أمتار وتثبيتها بالخرسانة (الاسفلت أو الرمال .                      8- عمل فراصن تمدد على 3 أمتار وتثبيتها بالخرسانة (الاسفلت أو الرمال .                      السعر يشمل جميع الأعمال المطلوبة وحسب المحطات والمواصفات وتعليمات المهندس المشرف .</p>	NO	1				
24	<p><b>صريف حول الخزان الخرساني:</b>                      تنفيذ صريف حديدي حول الخزان بوضوح 8.0 متر وارتفاع 4.0 متر عن مستوى سطح الأرض وذلك بالآتي:                      1- إنشاء الحفر وصيف خرساني ( بعمق 40 ) ( 50 × 15 ) متر بعمق استثنائية ، حقاوية .                      2- ردم وتمتد مساحة الصريف بطبقة 10 سم من التربة اللينة .                      3- تنفيذ طبقة من الحجر الصوانج والرغوة المقوية للأحلاج بسبك 20 سم مع فرشجة السطح المطري .                      4- تنفيذ طبقة حصى صلبة ( طين ) بسبك 5 سم .                      5- طبقة الرصف بطلاء التتر لوك باستخدام مونة استثنائية مقوية بنسبة خلط ( 3 : 1 ) ( اسمنت : رمل ) .                      6- عمل فراصن تمدد كل 3 متر وتثبيتها بالخرسانة (الاسفلت أو الرمال .                      7- عمل فراصن تمدد على 3 أمتار وتثبيتها بالخرسانة (الاسفلت أو الرمال .                      8- عمل فراصن تمدد على 3 أمتار وتثبيتها بالخرسانة (الاسفلت أو الرمال .                      السعر يشمل جميع الأعمال المطلوبة وحسب المحطات والمواصفات وتعليمات المهندس المشرف .</p>	M2	14				
25	<p><b>إصلاح الدخان الخرج الأبيض مقدم للوظيفة ( الكريك ):</b>                      توريد وتثبيت دخان خرجي أبيض مقادير للوظيفة ( الكريك ) الخزان الخرساني ثلاثة وجوه والمنظرة والتنظيف وجميع ما يلزم ، والتيين يشمل عمل التفتحات الخاصة بالمنظمة والسماح والتبركاه في جدران الخزان ، وحسب توجيهات المهندس المشرف .</p> <p><b>External White Moisture-Resistant Paint (Acrylic):</b>                      Supply and application of white moisture-resistant acrylic paint on the external walls in three coats, including sanding, cleaning, and all necessary preparations. The price includes painting the logos of the organization, donor, and partners on the tank walls, as per the instructions of the supervising engineer.</p>	M2	60				
26	<p><b>توريد وتثبيت طلاء عزل ( إيبوكسي ) النوع المناسب لعزل خزانات مياه الشرب ، بحيث يتم تسميم وتنظيف وتلميع الجدران الخارجية وتثبيتها وتجهيزها جيدا لسوء حال قيل طلاء المادة العزلة ويتم تجهيز المواد العزلة بشكل سليم بحسب المواصفات الخاصة بتثبيتها بواسطة عمال متخصصين ( مكتب عزول ) يتم عقد الميثاق مع المالك للمواد من قبل المهندس ) . يتم اللجوء على تطبيق بحيث يترك فترة جافة لا تقل عن 24 ساعة بين الوجة الأول والوجه الثاني ، السعر يشمل تعبئة والتحميل الخزان مع ضمان جودة العزل والكمية والتأكد عدم وجود تسريبات ، وكل ما يلزم بحسب المواصفات وتعليمات المهندس المشرف .</b></p> <p><b>Supply and Application of Epoxy Waterproof Coating for the Tank Interior:</b>                      Supply and application of a suitable epoxy waterproof coating for drinking water tanks. The walls and floor must be sanded, cleaned, and dried thoroughly prior to applying the waterproofing material. The coating materials must be prepared correctly in accordance with international standards and applied by specialized workers (a certified waterproofing contractor and materials must be approved by the engineer). The coating should be applied in two layers, with a minimum drying period of 24 hours between the first and second coats. The price includes filling and testing the tank to ensure waterproofing quality, verifying the absence of leaks, and all necessary works per the specifications and the instructions of the supervising engineer.</p>	M2	78				
<b>Total Rehabilitation of the Concrete Tank (\$)</b>							
<b>إجمالي إعادة تأهيل الخزان الخرساني (\$)</b>							



Description of work

وصف العمل

**Rehabilitation of the Pumping and Distribution Network**

**إعادة تاهيل شبكة الضخ والاسالة**

**صيانة وصيانة شبكة الاسالة الحالية:**

**Maintenance and Inspection of the Existing Distribution Network:**

27 **مطابقة وصيانة شبكة الاسالة الحالية** لجميع ما يلزم إعادة تفتيش الشبكة الى جميع المنازل في القرى المستفيدة من المشروع، ولتدقيق وتقييم جميع اوصال التوصيلات والتوصيلات والمحابس وغيرها مع مطابقة وتكريب بدل الناقص من التالف (حتى سبيل المثال وليس الحصر) و عمل كل ما يلزم لتكريب البند بحسب المواصفات المطلوبة والرسومات وتعليمات المهندس المشرف.

28 **صيانة ومطابقة غرف المحابس (زف تفتيش الحالية):**

مطابقة وصيانة غرف المحابس الحالية بتركيبه الكلاسيك الالستة المتواجدة، واستبدالها باصالح تاليفين جديدة مطوقة للمياه والصيانة والترميم اللازمة لاجل هذه الاعمال والتمن يشمل الصيانة القائمة من اغطية والبلاستيك وحلقات والتوصيلات والحمام وغيرها باستبدال كل ما هو تالف وعمل جميع ما يلزم لإعادة تفتيش الشبكة الى جميع المنازل في القرى والتمن يشمل طلاء الغرفة من الخارج بالوان الابيض مع رسم محمل المنظمة وعمل جميع ما يلزم لتكريب البند بحسب المواصفات المطلوبة وتعليمات المهندس المشرف.

29 **غرف المحابس (زف تفتيش):**

بناء وتفتيش غرف تفتيش المحابس باياد صافية ٠.٨٠، ٠.٨٠ وعرض من ٠.٨٠م حسب ما يتطلبه التقني، وتكون من البلك الصخر الابيض ٠.٤٠، ٠.٤٠م وتكون القيام فورا فائدة من الخرسانة العادية سمكها ٠.٨م مع التأسيس من الداخل والخارج باستعمال الملازم للاحراج والتمن يشمل طلاء الغرفة من الخارج بالوان الابيض مع رسم محمل المنظمة، وتوريد وتكريب عظام معدني من الصاج والحديد مع اطار من الحديد الزاوية ( الشلمان ) ومدعم بحديد على شكل المنظم، والادخال والملازم الصمغ ثلاثية اوجة مع شغل المنطقة شامل القفل كما يشمل البند اصل الحفر في أي نوع من انواع التربة والرمد وعمل كل ما يلزم لتكريب العمل حسب الاصول الفنية المتبعة وتوجيهات المهندس المشرف.

30 **توريد وتركيب انابيب حديد جلفنة قطر ٢ انش** بضغط تشغيل ٢٥ بر انظر التذييل/ الضخ مع جميع المستلزمات من تركيبات على سبيل المثال وليس الحصر ( اكرع ) ، قطعيات ، قطعيات ، قطعيات ، قطعيات ، قطعيات ، قطعيات ، قطعيات على التوام (بايدلها) بحسب المواصفات البريطانية BS EN 10255 . السمر يشمل الادخال المقدم والتمنيت على التوام الحرسانية بواسطة اقيات سبيلتيتن و تركيب مقارم الصمغ بالاحماله الى ربط وتوصيل الانابيب وكل ما يلزم لضمان توصيل المياه وحسب المواصفات وتعليمات المهندس المشرف .

31 **انابيب حديد جلفنة قطر ٢ انش:**

توريد وتركيب انابيب حديد جلفنة قطر ٢ انش بضغط تشغيل ٢٥ بر انظر الاساله مع جميع المستلزمات من تركيبات على سبيل المثال وليس الحصر ( اكرع ) ، قطعيات ، قطعيات ، قطعيات ، قطعيات ، قطعيات ، قطعيات ، قطعيات على التوام (بايدلها) بحسب المواصفات البريطانية BS EN 10255 . والسمر يشمل الربط والتوصيل للانابيب وكل ما يلزم لضمان توصيل المياه وحسب المواصفات وتعليمات المهندس المشرف .

32 **انابيب حديد جلفنة قطر ١ انش:**

توريد وتركيب انابيب حديد جلفنة قطر ٢ انش بضغط تشغيل ٢٥ بر انظر الاساله مع جميع المستلزمات من تركيبات على سبيل المثال وليس الحصر ( اكرع ) ، قطعيات ، قطعيات ، قطعيات ، قطعيات ، قطعيات ، قطعيات ، قطعيات على التوام (بايدلها) بحسب المواصفات البريطانية BS EN 10255 . والسمر يشمل الربط والتوصيل للانابيب وكل ما يلزم لضمان توصيل المياه وحسب المواصفات وتعليمات المهندس المشرف .

33 **انابيب حديد جلفنة قطر ٤/٣ انش:**

توريد وتركيب انابيب حديد جلفنة قطر ٤/٣ انش بضغط تشغيل ١٦ بر انظر الاساله مع جميع المستلزمات من تركيبات على سبيل المثال وليس الحصر ( اكرع ) ، قطعيات ، قطعيات ، قطعيات ، قطعيات ، قطعيات ، قطعيات ، قطعيات على التوام (بايدلها) بحسب المواصفات البريطانية BS EN 10255 . والسمر يشمل الربط والتوصيل للانابيب وكل ما يلزم لضمان توصيل المياه وحسب المواصفات وتعليمات المهندس المشرف .

**Maintenance and Inspection of Existing Valve Chambers (Manholes):**

Inspection and maintenance of existing valve chambers by removing deteriorated cement plaster and replacing it with new water-resistant plaster. The scope includes all necessary repairs and restorations, covering lids, plastering, painting, connections, and valves, with the replacement of any damaged components. The work ensures the full functionality of the network, restoring water supply to all homes in the village. The price also includes painting the exterior of the chamber in white, featuring the organization's logo, and performing all tasks required to complete the job in accordance with the specifications and the instructions of the supervising engineer. The task in accordance with the specifications and the instructions of the supervising engineer.

**غرف المحابس (Inspection Chambers):**

Construction and implementation of valve inspection chambers with clear dimensions of 80x80 cm and a depth ranging from 40 cm to 100 cm, as required. The chambers are to be built using solid automatic concrete blocks of size 40x20x20 cm, placed over a 10 cm thick plain concrete base. Both the interior and exterior surfaces are to be plastered using salt-resistant cement. The price includes: Painting the exterior of the chamber in white and featuring the organization's logo. Supplying and installing a metal cover made of patterned sheet metal with an angle iron frame (shulman), reinforced with shaped steel bars. Applying anti-rust primer (three coats) and a white enamel finish with the organization's logo, including a lock. Excavation in any type of soil, backfilling, and performing all necessary works to complete the job according to technical standards and the instructions of the supervising engineer.

**Galvanized Steel Pipes 3/4inch Diameter:**

Supply and installation of galvanized steel pipes with a 3-inch diameter and a working pressure of 25 bars for the supply/pumping line, including all necessary fittings such as elbows, flanges, reducers, etc. (not limited to these). High-quality pipes (e.g., Sand-made Al-Izazera or equivalent) conforming to British Standards BS EN 10255. The price includes: Anti-corrosion paint. Fixing the pipes on concrete supports using stainless steel clips and anti-corrosion anchors. Connecting and linking the pipes and performing all necessary works to ensure proper water delivery according to specifications and the supervising engineer's instructions.

**Galvanized Steel Pipes 2-inch Diameter:**

Supply and installation of galvanized steel pipes with a 2-inch diameter and a working pressure of 16 bars for the distribution line, including all necessary fittings such as elbows, flanges, reducers, etc. (not limited to these). High-quality pipes (e.g., Sand-made Al-Izazera or equivalent) conforming to British Standards BS EN 10255. The price includes: Connecting and linking the pipes. All required works to ensure proper water delivery according to specifications and the supervising engineer's instructions.

**Galvanized Steel Pipes 1.5inch Diameter:**

Supply and installation of galvanized steel pipes with a 1.5-inch diameter and a working pressure of 10 bars for the distribution line, including all necessary fittings such as elbows, flanges, reducers, etc. (not limited to these). High-quality pipes (e.g., Sand-made Al-Izazera or equivalent) conforming to British Standards BS EN 10255. The price includes: Connecting and linking the pipes. All required works to ensure proper water delivery according to specifications and the supervising engineer's instructions.

**Galvanized Steel Pipes 3/4inch Diameter:**

Supply and installation of galvanized steel pipes with a 4/3-inch diameter and a working pressure of 10 bars for the distribution line, including all necessary fittings such as elbows, flanges, reducers, etc. (not limited to these). High-quality pipes (e.g., Sand-made Al-Izazera or equivalent) conforming to British Standards BS EN 10255. The price includes: Connecting and linking the pipes. All required works to ensure proper water delivery according to specifications and the supervising engineer's instructions.

**Total Rehabilitation of the Pumping and Distribution Network (\$)**

الوحدة	الكمية	سعر الوحدة (\$)	سعر الوحدة (\$)	سعر الوحدة (\$)	الاجملي (\$)
Unit type	Qty	Unit Price	Unit Price	Unit Price	Total Price
ML	800				





**Description of work**

**وصف العمل**

**أعمال بناء حوض الحبيبة**

**Construction of the filling basin**

الوحدة Unit type	الكمية Qty	سعر الوحدة (\$) Unit Price	سعر الوحدة (\$) Unit Price	الإجمالي (\$) Total Price	الإجمالي كميًا (\$) Total Price
M2	5.8				
ML	5				
NO	1				
NO	8				
NO	13				
NO	2				
<b>Total Construction of the filling basin (\$) (\$)</b>					
<b>إجمالي أعمال بناء حوض الحبيبة</b>					

**أعمال طب (بلك) خرسي أو مائتي:**

34  
 Provide and install hollow concrete block masonry for the filling basin with dimensions of (2020x40) cm, using cement mortar made of Portland cement and crusher sand with a mixing ratio of (1:3). Ensure proper alignment and jointing, constructing interlocked courses, and maintaining vertical and horizontal levels. The masonry must be cured by water spraying twice daily. The price includes all necessary materials, tools, and equipment to complete the work as per the specifications and the instructions of the supervising engineer.

**التأسيس حديد محققين ضغط متوسط قطر 1 انش:**

35  
 Provide and installation of medium pressure galvanized iron pipes according to British specifications under No. 1387BS, the work includes all special parts and everything necessary to finish the work according to the engineer's instructions supervisor.

**حصى بوزة قطر 1 انش:**

36  
 Provide and installation of a 1 inch diameter gate valve with heavy duty pressure operating at least 15 bar, conforms to British specifications, and works it includes the implementation of a metal box (0.3x0.4\*0.4) for the valve made of iron a sheet of granulated pieces, thickness 1.25, with Shalman rings, 1 inch, thickness 2mm and includes rust- and abrasive-resistant paint and two layers of oil paint with all bolts, hinges, and everything necessary to finish the work.

**خزنية سكنين قطر 0.5 انش:**

37  
 Provide and installation of a knife water tap with a diameter of 0.5 inches heavy-duty, with pressure operating at least 15 bar, conforms to British specifications, rules at one end there is a plastic tube 1 meter long that is fixed with a clip. The work includes everything needed to finish the job.

**بلاط سيراميك:**

38  
 Supply and implementation of ceramic tiles with cement mortar so that it does not decrease -its thickness is more than 3 cm, with a mixing ratio of (1 cement: 3 sand), and high-quality white cement for grinding, with cleaning, scraping, polishing and spraying three times for three days. The item includes everything necessary to finish the work and in accordance with the specifications and directions of the supervising engineer, provided that the tiles are suitable for flooring.

**قناة التصريف:**

39  
 Implementing a drainage channel, lining the channel using half a UPVC pipe with a diameter of 4 inches, and installing it using cement mortar with a mixing ratio of (2:1) cement sand. The work includes implementing a masonry in the floor and a winding elbow and implementing a metal mesh over the drainage channel with a width of 30 cm. Using 3 mm thick dynamic mesh supported by cross bars every 30 cm and a 25x25x1.5 mm square frame. The work includes painting with a rust-resistant material in 3 layers, then red oil paint, so that it is operable for maintenance, cleaning, and returning it, and everything necessary to finish the work and in accordance with the specifications and directives Supervising engineer.



Description of work

وصف العمل

أعمال أخرى

Other Works

الوحدة Unit type	الكمية Qty	سعر الوحدة (\$) Unit Price	سعر الوحدة كلتا (\$) Unit Price	الإجمالي (\$) Total Price	الإجمالي كلتا (\$) Total Price
---------------------	---------------	----------------------------	------------------------------------	---------------------------	--------------------------------

**توثيق مراحل تنفيذ المشروع والتكامل التصوير فوتوغرافي و الفيديو:**

**Documentation of All Project Implementation Phases (Photography and Videography):**

يتم التعاقد مع شركة متخصصة في وسائل الإعلام (الفيديو) لتوثيق جميع مراحل تنفيذ مشروع مياه العريف. تشمل الأعمال التصوير الفوتوغرافي والتصوير بالفيديو بصورة عالية لتغطية مراحل العمل المختلفة (التحضيرية، التمهيدية، والتنفيذية، والتسليم).  
 A specialized media company will be contracted to document all phases of the Al-Areef Water Project implementation. The scope includes professional photography and high-quality video recording to cover the different stages of work (preparatory, implementation, and handover).  
 كجزء من التوثيق، يتم إنتاج فيديو وثائقي يوثق جميع مراحل المشروع، مع تغطية التربة على أرض الإجمالي على المنهج المستهدف. يتم تغطية العمل باستخدام معدات حديثة، مع ضمان تقديم المخرجات بصورة عالية تناسب الاستخدام في التقارير، العروض التقديمية، ووسائل الإعلام المختلفة.  
 The media company will be selected by the organization based on criteria of competence, experience, and the guidance of the supervising engineer.

Contract

1

**لوحات رخامية:**

**Marble Plaques:**

تزويد وتركيب لوحة رخامية يحمل الشعار والمنظمة والمجلس الأعلى والهيئة العامة لمياه العريف محافظة صنعاء حسب التصميم الذي يختار (٥٠\*١٠٠ سم) والشكل المطلوب على جدران الخزان والسكن الذي يحدده المهندس المشرف.

NO

3

**اللوحة توعوية:**

**Awareness plate:**

تزويد وتركيب لوحة توعوية معدنية بحسب التصميم المرفق ويكون بعرض ٢٠ سم، وارتفاع ٢٠ سم، وتركيب في جانب نظفة المياه الذي يحدده المهندس المشرف.

NO

1

تزويد وتركيب لوحة اسمية معدنية للمشروع عند استلام الموقع مباشرة ويكون بعرض ٢٠ سم، وطولها ٢٠ سم، وتركيب في الشراع الملم الذي يحدده المهندس المشرف.

NO

1

**Total Construction of the filling basin (\$) إجمالي أعمال بناء حوض التهيئة**

Total Cost (\$)  
 إجمالي التكلفة

Total in words  
 المجموع بالكلمات

التوقيع والختم :-

رقم التوقيع:-

التاريخ:-

اسم العميل:-